

PRODUCT CATALOG

2021



Pier Tech
SYSTEMS™

WWW.PIERTECH.COM

EDITION 1

RESOURCES

HELPFUL LINKS

- > [Get More Information](#)
- > [Find an Installer Near You](#)
- > [Get a Quote](#)
- > [Equipment Packages and Information](#)
- > [Watch our Products in Action](#)
- > [View our ICC Report](#)

SIGN UP
Installer Training
and Certification

EMPLOYEE DIRECTORY

President/Owner

Kevin Kaufman
Kevin@PierTech.com
(866)536-5007 x111

Marketing Director / Executive Assistant

Rachel Everett
Reverett@PierTech.com
(866)536-5007 x129

Executive of Business Development

Mark Woodall
Markw@PierTech.com
(866)536-5007 x129

Engineering:

Director of Engineering and Sales

Michael Wilkis
Michael@PierTech.com
(866)536-5007 x115

Kyle Everett
Kyle@PierTech.com
(866)536-5007 x119

Principal Engineer

Bret Anderson
Bret@PierTecheng.com
(866)536-5007 x119

Quoting/Sales Main Line:

Sales@PierTech.com
(866)536-5007

Reception:

Rachel Vaccaro
rvaccaro@PierTech.com
(866)536-5007

Public Relations:

Jeff "Roy" Stapleton
Jstapleton@PierTech.com
(866)536-5007 x121

Sales Team:

Nick Pieber
Nick@PierTech.com
(866)536-5007 x110

Jeff Kaufman
Jeff@PierTech.com
(866)536-5007 x113

Jared Caruso
Jared@PierTech.com
(866)536-5007 x120

Daniel Kaufman
Daniel@PierTech.com
(866)536-5007 x123

Jacob Kaufman
Jacob@PierTech.com
(866)536-5007 x127

Accounting:

Bill McDonie
Bill@PierTech.com
(866)536-5007 x125

Customer Accounts:

Accounts for Michael, Mark, and Jacob
Jill Kaufman
Jill@PierTech.com
(866)536-5007 x122

Accounts for Nick and Daniel

Jessi Hanner
Jessi@PierTech.com
(866)536-5007 x116

Accounts for Jeff and Jared

Rachel Everett
Reverett@PierTech.com
(866)536-5007 x129

Shipping and Receiving:

Steve Ramey
Sramey@PierTech.com
(866)536-5007

Inventory:

Olivia Vitale
Olivia@PierTech.com
(866)536-5007 x112

SOCIAL MEDIA



Driven by **INNOVATION**

From helical piers and high capacity helical piles to a complete line up of equipment and accessories...
we've got you covered.



From helical piers and high capacity helical piles to a complete line up of equipment and accessories, we provide the construction industry with the highest quality, most versatile and economical stabilization products.

Our helical piers and piles are suitable for residential and commercial applications. They are routinely used to seal the smallest cracked wall, provide a solid, stable platform for industrial-grade towers, support boardwalks in dry or wetlands, deep foundation piers for new construction and underpinning for existing buildings. PierTech Systems is the manufacturer of choice for engineers throughout the world.

Using ground-breaking, patented technology, PierTech Systems manufactures its own line of helical piers, piles, anchors, and helical piercing accessories. Our piers are available in both round and square shafts and are available in numerous diameters. All of our products are backed by the PierTech Systems' commitment to performance and reliability.

Our **Commitment**

PierTech Systems manufactures a full line of helical pile products and installation equipment. With helical piers and helical anchors ranging from 1-1/2" square shaft to 16" round shaft, and drive heads ranging from 1,000 – 350,000 ft-lbs of torque, no project is too big or too small.

PierTech Systems' manufacturing facilities use a rigid quality control program to ensure our helical pier products meet or exceed all industry standards. All welding is certified per the latest AWS standards. All helical pier materials are offered with an optional ASTM A123/153 hot-dip galvanize coating.

PierTech Systems' line of helical piers, helical piles, and helical anchors are manufactured with the highest tensile strength and yield strength domestic steel on the market. PierTech Systems' line of helical piercing equipment is the only equipment on the market designed and manufactured specifically for the screw pile industry.

“When we began installing helical piers in and around Montana, we were looking for a product that was highly engineered and reliable yet, at the same time, cost-effective. PierTech's product is all of those things. We have used other brackets on the market, and PierTech's patented Tru-Lift brackets are unparalleled in the industry. Lifting and stabilizing homes in the Billings area presents varying challenges, but the team at PierTech is readily available for a consult when necessary. PierTech guarantees their product, and Helix guarantees our work.”

-Bret F.
Certified PierTech Installer - Minnesota

MARKETS & APPLICATIONS

APPLICATION TYPE		PAGE NUMBER
RESIDENTIAL	1.1 Foundation Repair	PAGE: 4 - 5
	1.2 Deck & Fence	PAGE: 6 - 7
	1.3 Home Additions	PAGE: 8 - 9
	1.4 Retaining Walls	PAGE: 10 - 11
COMMERCIAL SOLUTIONS	2.1 New Construction	PAGE: 12 - 13
	2.2 Foundation Repair	PAGE: 14 - 15
	2.3 Tilt-Up Construction	PAGE: 16 - 17
	2.4 Metal Buildings	PAGE: 18 - 19
	2.5 Elevated Parking Garages	PAGE: 20 - 21
	2.6 Elevator Pits	PAGE: 22 - 23
	2.7 Parking Lot Lighting	PAGE: 24 - 25
OIL & GAS	3.1 Equipment Foundations	PAGE: 26 - 27
	3.2 Metering Stations	PAGE: 28 - 29
	3.3 Oil Field	PAGE: 30 - 31
	3.4 Pig Launchers	PAGE: 32 - 33
	3.5 Pumpjacks	PAGE: 34 - 35
	3.6 Pipelines	PAGE: 36 - 37
	3.7 Refineries	PAGE: 38 - 39
NEW CONSTRUCTION	4.1 Mines	PAGE: 40 - 41
	4.2 Equipment Foundations	PAGE: 42 - 43
ALTERNATIVE ENERGY	5.1 Solar Energy	PAGE: 44 - 45
	5.2 Wind Energy	PAGE: 46 - 47
TELECOM	6.1 Cell Towers	PAGE: 48 - 49
	6.2 Cell Tower Site Equipment Foundations	PAGE: 50 - 51
AMUSEMENT	7.1 Athletic Field	PAGE: 52 - 53
	7.2 Circus	PAGE: 54 - 55
	7.3 Golf	PAGE: 56 - 57
	7.4 Stadium	PAGE: 58 - 59
	7.5 Zoo	PAGE: 60 - 61
ELECTRIC UTILITY	8.1 Guy Wire	PAGE: 62 - 63
	8.2 Equipment Foundations	PAGE: 64 - 65
GOVERNMENT	9.1 Airport	PAGE: 66 - 67
	9.2 Bridge Abutment	PAGE: 68 - 69
	9.3 HUD Housing	PAGE: 70 - 71
	9.4 Military	PAGE: 72 - 73
	9.5 Parks	PAGE: 74 - 75
	9.6 Railroad	PAGE: 76 - 77
	9.7 Waste water Facilities	PAGE: 78 - 79

MARKETS & APPLICATIONS

APPLICATION TYPE		PAGE NUMBER
MARINE	10.1 Boardwalks	PAGE: 80 - 81
	10.2 Bulkheads	PAGE: 82 - 83
	10.3 Docks	PAGE: 84 - 85
	10.4 Moorings	PAGE: 86 - 87

PRODUCTS

APPLICATION TYPE		PAGE NUMBER
2-7/8" DIAMETER	Single Helix Leads	PAGE: 88 - 99
	Double Helix Leads	PAGE: 100 - 108
	Triple Helix Leads	PAGE: 109 - 113
	Quadruple Helix Leads	PAGE: 114
	Extensions	PAGE: 115
	Brackets	PAGE: 116 - 133
3-1/2" DIAMETER	Single Helix Leads	PAGE: 134 - 141
	Double Helix Leads	PAGE: 142 - 147
	Triple Helix Leads	PAGE: 148 - 153
	Extensions	PAGE: 154
	Brackets	PAGE: 155 - 161
4-1/2" DIAMETER	Single Helix Leads	PAGE: 162 - 164
	Double Helix Leads	PAGE: 165 - 167
	Triple Helix Leads	PAGE: 168 - 170
	Extensions	PAGE: 171
	Brackets	PAGE: 172 - 173
5-1/2" DIAMETER	Single Helix Leads	PAGE: 174 - 176
	Double Helix Leads	PAGE: 177 - 179
	Triple Helix Leads	PAGE: 180 - 182
	Extensions	PAGE: 183
	Brackets	PAGE: 184 - 185
1-1/2" DIAMETER	Single Helix Leads	PAGE: 186 - 191
	Double Helix Leads	PAGE: 192 - 200
	Triple Helix Leads	PAGE: 201 - 205
	Threaded Adapter	PAGE: 206
	Tilt-Up Bracket	PAGE: 207

RESIDENTIAL SOLUTIONS

FOUNDATION REPAIR



Foundation problems, whether they are cracked walls or sinking foundations, can dramatically reduce the value of your home. If your home starts to suffer from sinking due to construction on poor soil or has simply failed to stand the test of time, we engineer cost-effective and efficient helical piers and piling systems to stabilize the foundations of your home. Making your family home safe and secure once again is our top aim.

Why use PierTech's patented system?

- Our helical piers have been tested and refined in the tough training grounds of commercial construction. Relied upon by architects, construction companies, and builders around the US, the PierTech range of foundation repair solutions are a complete answer to a complex problem.
- By using our extensive catalog of products, additional support can be added beneath the foundations of hydraulically installed helical anchors to prevent further settlement. With the proper pier placement and installation using the patented Tru-Lift bracket, elevation losses due to settlement can be recovered, generally closing cracks in the brickwork.
- After the home is secure, every effort is made to return site and landscaping to the original condition. While 100% recovery is not always possible, PierTech has the knowledge and equipment to accomplish the best possible results to make your home look as good as new.

FEATURED PATENTED PRODUCTS



CROSS-LOCK™ CONNECTION

- Patented connection saving up to 50% in labor costs
- Torque is fully contained in the coupling
- Zero bolt hole elongation during installation
- Complete steel on steel connection
- Superior strength and lateral stability
- Reduces installation times up to 50%



TRU-LIFT™ BRACKET

- Lightweight
- Easy to install
- No anchor bolts required
- Virtually moment free



1.1 FOUNDATION REPAIR

System: Helical Underpinning Pier

Patented solutions for sinking foundations, cracked and buckled walls, and cracked and uneven floors due to residences experiencing sinking or settling, built on unstable soil, or subjected to moisture or poor drainage.



Load Capacity Rating

Standard Residential Repair pile

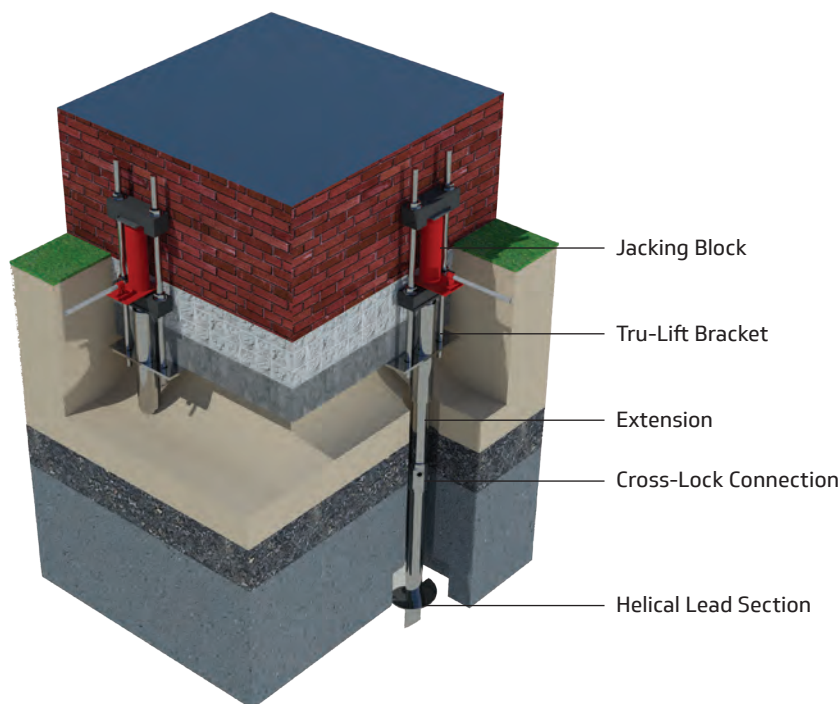
Estimated allowable capacity of 20,000 lbs.
Can be designed for up to 36,000 lbs.

Features / Benefits

- Can save you up to 50% in labor costs
- No anchor bolts to foundation required
- Low noise and vibration free
- Post installation adjustment is possible
- Can be uninstalled and reinstalled
- No spoils
- Patented moment-free Tru-Lift bracket

Installation Instructions

- 1** Excavate to footing at each pile location.
- 2** Notch footing.
- 3** Install helical lead section next to the foundation and add extension until required torque and/or depth is achieved.
- 4** Install Tru-Lift bracket per instructions to lift and/or stabilize.



Consumable Materials

Product	Product Description	Application Description
Helical Lead Section	Pipe section with one or more welded helical bearing plates	Typical lead section 2-7/8" OD, 5' to 7' long pipe, with a single Helix and Cross-Lock coupling.
Helical Extension Sections	Pipe section with Cross-Lock Couplings welded to each side	Typically requires 1 to 2 - 2-7/8" 5' or 7' long Extensions for an overall length of 14' to 21' depth. Attaches to lead section with Cross-Lock Connection .
TRU-LIFT Bracket	Steel Tru-Lift underpinning bracket with stabilization hardware	The Tru-Lift bracket installs under the foundation and attaches to the pier using an L-shaped bracket, T-shaped slider, and two 7/8" all threads.
Jacking Block	Steel block used for lifting applications	Attaches above the Tru-Lift bracket system and either a hydraulic cylinder or bottle jack. Can be removed and reused after use.
Helical Equipment Package	Hydraulic rotary motor and gearbox attached to a power source used to install the pile into the ground	The helical equipment package will normally be mounted to a skid steer or excavator, and the standard installation drive heads will range from 6,000 ft-lbs to 16,000 ft-lbs. A digital or analog torque monitor will be used to calculate the pile's capacity.

DECK & FENCE

Helical piers make a strong and fast foundation for decks, fences, sunrooms, and more. The standard practice of using poured concrete piers for decks, sunrooms, and porches, has only caused frustration and added time to the job. Holes cannot be dug or poured during bad weather, causing delays in construction, as well as the delay while waiting for concrete to cure.

Why use PierTech's system?

- Our helical piers have been tested and refined in the tough training grounds of commercial construction. Relied upon by architects, construction companies, and builders around the US, the PierTech range of foundation repair solutions are a complete answer to a complex problem.
- Using the PierTech system allows for a quick and easy installation. There is no wait time for curing, no concrete needed, and it can save you up to 50% on labor costs.
- The Deck and Fence system using the fully adjustable post brackets has the ability to be installed with small equipment, and eliminates the need for exact location installation.

FEATURED PATENTED PRODUCTS



CROSS-LOCK™ CONNECTION

- Patented connection saving up to 50% in labor costs
- Torque is fully contained in the coupling
- Zero bolt hole elongation during installation
- Complete steel on steel connection
- Superior strength and lateral stability
- Reduces installation times up to 50%

ADJUSTABLE POST BRACKET

- Lightweight
- Easy to install
- Fully adjustable
- No concrete or welding



1.2 DECK & FENCE CONSTRUCTION

System: Cross-Lock System

Patented solutions for new and existing foundations for a deck or fencing project



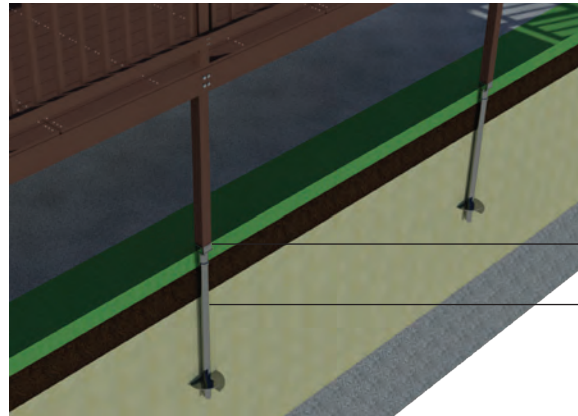
Load Capacity Rating

Standard Deck and Fence Post Helical

Estimated allowable capacity of 12,900 lbs.
Can be designed for up to 25,000 lbs.

Features / Benefits

- The PierTech Cross-Lock System can save you up to 50% in labor costs
- No concrete or welding
- Fast and hassle free installation
- Foundation not susceptible to frost heave
- There is no need to wait for curing before starting construction
- Can be installed with small equipment
- No need to hit a precise location
- Fully adjustable



Adjustable Post Bracket

Helical Lead Section

Installation Instructions

- 1 Install the 2 - 7/8" Cross-Lock Helical pier to the specified load.
- 2 Insert the 1/2" eyebolt on top of the pier and lock it into place with a 3/4" bolt.
- 3 Place the 6" square base plate, the saddle bracket, and 2" square washer onto the 1/2" eyebolt, add 1/2" nut and tighten. Trim off extra bolt threading if necessary.

- 4 Loosen the 1/2" nut slightly to allow for bracket adjustment. Place the 1" standoff plate onto the saddle, place deck post into the saddle bracket and adjust to plumb using a mallet and level.
- 5 Secure the post on all sides with the required screws. Once plumb, tighten the nut under the standoff plate.
- 6 Use pliers to pull open side up towards the post. Use a mallet if needed, and secure the final side with the three screws.

Consumable Materials

Product	Product Description	Application Description
Helical Lead Section	Pipe section with one or more welded helical bearing plates	Typical lead section 2-7/8" OD, 5' to 7' long pipe, with a single Helix and Cross-Lock coupling.
Helical Extension Sections	Pipe section with Cross-Lock Couplings welded to each side	Typically requires 0 to 2 - 2-7/8" 5' or 7' long Extensions for an overall length of 14' to 21' depth. Attaches to lead section with Cross-Lock Connection.
Adjustable Post Bracket	Steel post bracket with stabilization hardware	The adjustable post bracket installs on top of the Helical pier and attaches to the deck or fence post using a saddle bracket, eyebolt, square base plate, and standoff plate.
Helical Equipment Package	Hydraulic rotary motor and gearbox attached to a power source used to install the pile into the ground	The helical equipment package will normally be mounted to a skid steer or excavator, and the standard installation drive heads will range from 6,000 ft-lbs to 16,000 ft-lbs. A digital or analog torque monitor will be used to calculate the pile's capacity.

HOME ADDITIONS

Helical piers make a strong and fast foundation for new construction of home additions. The patented PierTech system and the new construction bracket allow for quick and easy installation. Without the need for concrete, there are no delays due to weather or wait times for curing.

Why use PierTech's system?

- Our helical piers have been tested and refined in the tough training grounds of commercial and residential construction. They are relied upon by architects, construction companies, and builders around the US.
- Using the PierTech system allows for quick and easy installation, and it can save you up to 50% on labor costs.
- The PierTech system allows for easy installation for a home addition. This includes other new construction applications and allows for permanent stabilization.

FEATURED PATENTED PRODUCTS



CROSS-LOCK™ CONNECTION

- Patented connection saving up to 50% in labor costs
- Torque is fully contained in the coupling
- Zero bolt hole elongation during installation
- Complete steel on steel connection
- Superior strength and lateral stability
- Reduces installation times up to 50%



NEW CONSTRUCTION BRACKET

- Lightweight
- Easy to install
- No concrete or welding



1.3 HOME ADDITIONS

System: Cross-Lock System

When investing in your home and adding on an addition, using PierTech's patented helical system will help to permanently stabilize the structure. The helicals are installed on the outside of the home. Installation can be done quickly and easily, as well as save you time and money.



Load Capacity Rating

Standard Deck and Fence Post Helical

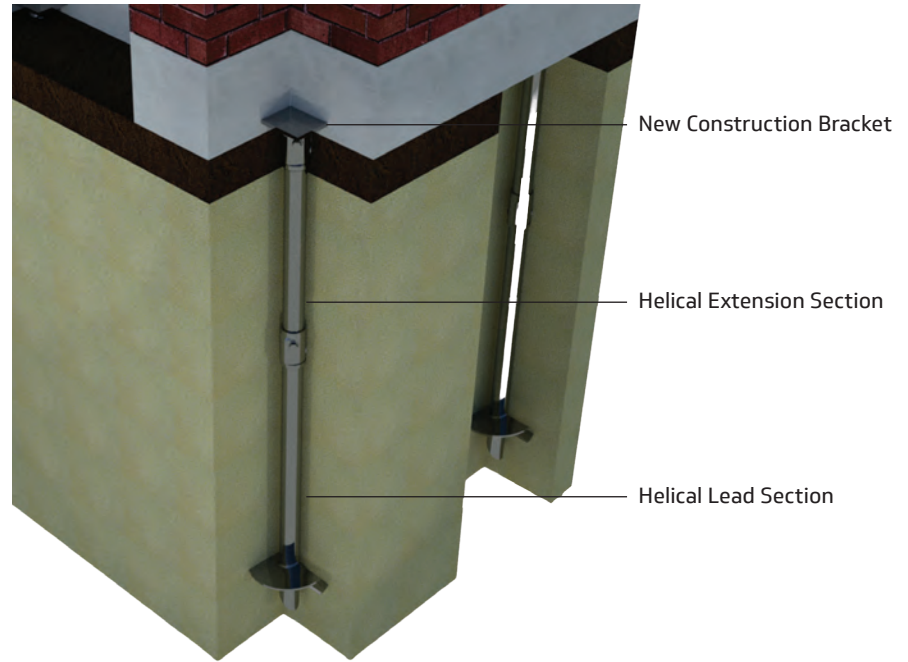
Estimated allowable capacity of 40,000 lbs.
Can be designed for up to 80,000 lbs.

Features / Benefits

- The PierTech Cross-Lock System can save you up to 50% in labor costs
- Minimal disturbance during installation
- Quick and easy installation
- Permanently stabilize the foundation

Installation Instructions

- 1 Excavate the area to desired depth if needed for the installation of the new construction foundation.
- 2 Install helical lead section next to the foundation and add extension until required torque and/or depth is achieved.
- 3 Place new construction brackets on top of the helical extension and secure with nuts and bolts.



Consumable Materials

Product	Product Description	Application Description
Helical Lead Section	Pipe section with one or more welded helical bearing plates	Typical lead section 2-7/8" OD, 5' to 7' long pipe, with a single, double, or triple Helix and Cross-Lock coupling.
Helical Extension Sections	Pipe section with Cross-Lock Couplings welded to each side	Typically requires 1 to 2 - 2-7/8" diameter 5' or 7' long Extensions for an overall length of 14' to 21' depth. Attaches to lead section with Cross-Lock Connection.
New Construction Bracket	Steel plate welded to a Cross-Lock Coupling	Typical 6" x 6" x 1/2" plate sits on top of the Cross-Lock coupling on top of the helical extension section.
Helical Equipment Package	Hydraulic rotary motor and gearbox attached to a power source used to install the pile into the ground	The helical equipment package will normally be mounted to a skid steer or excavator, and the standard installation drive heads will range from 6,000 ft-lbs to 16,000 ft-lbs. A digital or analog torque monitor will be used to calculate the pile's capacity.

RETAINING WALLS



Helical piers make a strong and fast foundation for new construction and repair of retaining walls. The patented PierTech system and the porch bracket allow for quick and easy installation. Without the need for concrete, there are no delays due to weather or wait times for curing.

Why use PierTech's system?

- Our helical piers have been tested and refined in tough training grounds of commercial and residential construction.
- PierTech piers are relied upon by architects, construction companies and builders around the US.
- Using the PierTech system allows for a quick and easy installation, and it can save you up to 50% on labor costs.
- The PierTech system allows for easy installation and repair of a retaining wall and allows for permanent stabilization.

FEATURED PATENTED PRODUCTS



CROSS-LOCK™ CONNECTION

- Patented connection saving up to 50% in labor costs
- Torque is fully contained in the coupling
- Zero bolt hole elongation during installation
- Complete steel on steel connection
- Superior strength and lateral stability
- Reduces installation times up to 50%

PROCH BRACKET

- Lightweight
- Easy to install
- No concrete or welding



1.4 RETAINING WALLS

System: Helical Pier with Bracket for Retention

PierTech helical solutions for sloping ground, eroding soil, or to add to the aesthetic of a home



Load Capacity Rating Helical System

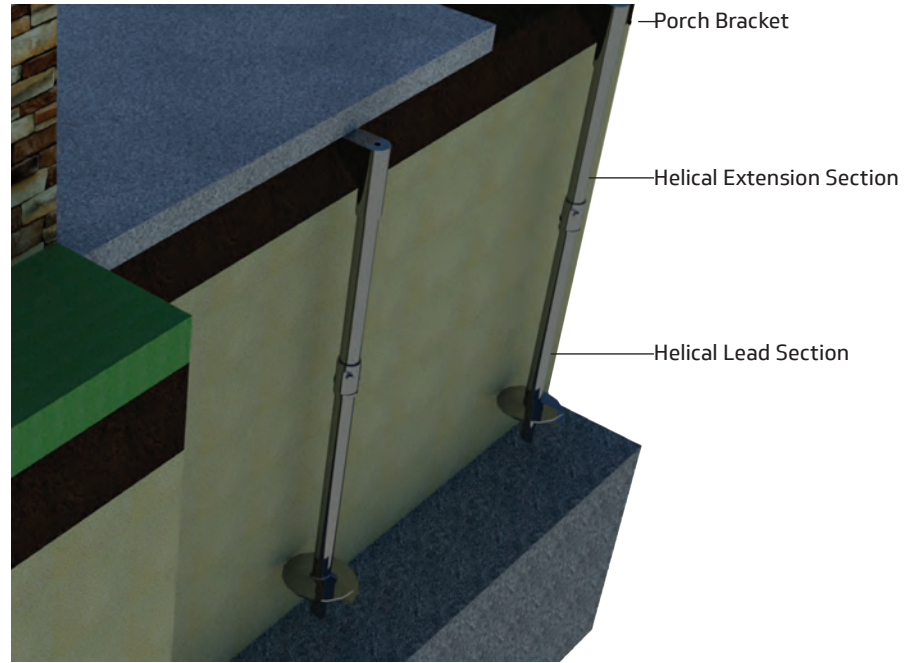
Estimated allowable capacity of 5,000 lbs.
Can be designed for up to 10,000 lbs.

Features / Benefits

- Can save you up to 50% in labor costs
- Can be installed with small equipment
- Quick and easy installation
- Minimal soil disturbance
- Reduces retaining wall size and depth
- High capacity in sand and clay

Installation Instructions

- 1 Excavate as needed for the wall and for each pier location if needed.
- 2 Install helical lead section next to the foundation and add extension until required torque and/or depth is achieved.
- 3 Cut coupling off and attach bracket to the helical to complete the system.



Consumable Materials

Product	Product Description	Application Description
Helical Lead Section	Pipe section with one or more welded helical bearing plates	Typical lead section 2-7/8" OD, 5' to 7' long pipe, with a single, double, or triple Helix and Cross-Lock coupling.
Helical Extension Sections	Pipe section with Cross-Lock Couplings welded to each side	Typically requires 1 to 2 - 2-7/8" diameter 5' or 7' long Extensions for an overall length of 14' to 21' depth. Attaches to lead section with Cross-Lock Connection.
Porch Bracket	Steel porch bracket with stabilization hardware	The porch bracket installs under the retaining wall and attaches to the pier.
Helical Equipment Package	Hydraulic rotary motor and gearbox attached to a power source used to install the pile into the ground	The helical equipment package will normally be mounted to a skid steer or excavator, and the standard installation drive heads will range from 6,000 ft-lbs to 16,000 ft-lbs. A digital or analog torque monitor will be used to calculate the pile's capacity.

NEW CONSTRUCTION

Helical piers create the perfect support for new commercial foundation construction. They provide superb stability and strength while maintaining ease of installation. Helical piers are often recommended by a structural engineer because of the soil type or the need for a vibration-free installation. They can often be used because of aesthetic design choices. In new construction applications, the PierTech® line of helical piers and helical anchors provides the perfect permanent and hassle-free foundation solution.

Why use PierTech's system?

- Our helical piers have been tested and refined in the tough training grounds of commercial and residential construction. They are relied upon by architects, construction companies, and builders around the US.
- Using the PierTech system allows for quick and easy installation, and it can save you up to 50% on labor costs.
- The PierTech system allows for easy installation for new construction and allows for permanent stabilization.

FEATURED PATENTED PRODUCTS



CROSS-LOCK™ CONNECTION

- Patented connection saving up to 50% in labor costs
- Torque is fully contained in the coupling
- Zero bolt hole elongation during installation
- Complete steel on steel connection
- Superior strength and lateral stability
- Reduces installation times up to 50%



HERCULES PILE™

- Supports between 200,000 and 1,000,000 lbs
- Can be installed in any weather
- Zero vibration installation
- Low noise installation
- Available in 4" to 48" diameters



NEW CONSTRUCTION BRACKET

- Can be installed right on top of the Cross-Lock coupler
- No concrete needed
- No welding
- Simple installation

2.1 NEW CONSTRUCTION

System: Commercial New Construction Helical System

Patented Solutions for new construction of commercial buildings



Load Capacity Rating

Helical pile

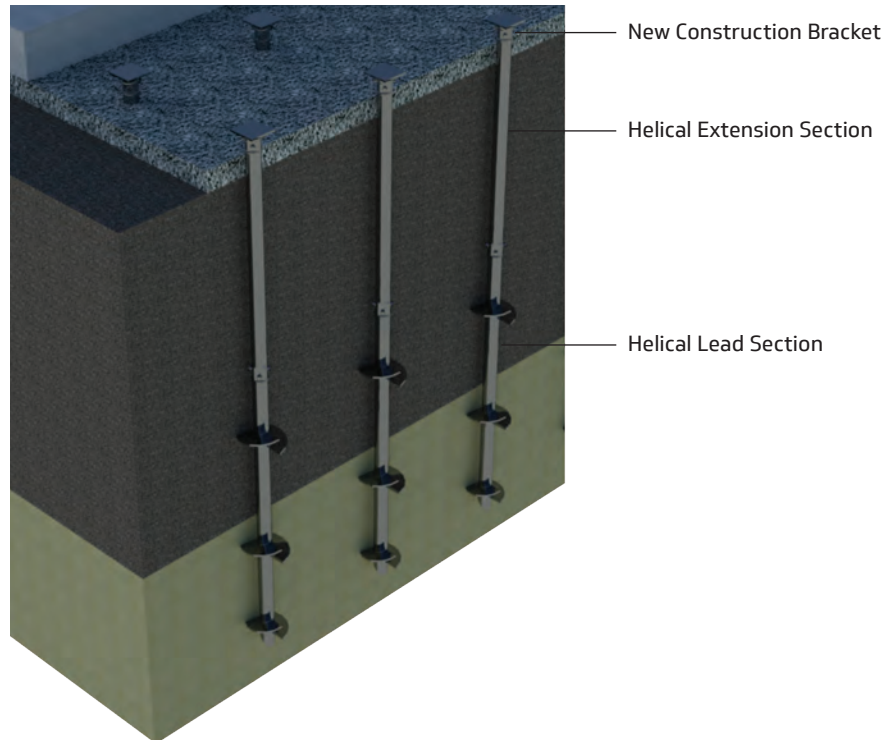
Estimated allowable capacity of 50,000 lbs.
Can be designed for up to 1,000,000 lbs.

Features / Benefits

- Can save you up to 50% in labor costs
- Speed up the construction schedule
- Low noise and vibration free
- All-weather installation
- Low investment to equip excavators or backhoes
- Installs faster than most other deep foundation methods
- Helicals from 2-7/8" to 48" diameters

Installation Instructions

- 1 Excavate the area where the foundation is to be installed.
- 2 Excavate each pier location if needed, but is not necessary.
- 3 Install helical lead section next to the foundation and add extension until required torque and/or depth is achieved.
- 4 Install bracket on top of helical lead section.



Consumable Materials

Product	Product Description	Application Description
Helical Lead Section	Pipe section with one or more welded helical bearing plates	Typical lead section 2-7/8", 3-1/2" with a Cross-Lock Coupler, or a Hercules Pile 5', 7', or 10' long pipe, with a single Helix, double, or triple Helix, and Cross-Lock coupling.
Helical Extension Sections	Pipe section with Cross-Lock Couplings welded to each side	Typically requires 1 to 4 - 2-7/8", 3-1/2" Cross-Lock Extensions or a Hercules Pile Extension 5', 7', or 10' long Extensions for an overall length of 14' to 50' depth. Attaches to lead section.
New Construction Bracket	Steel plate welded to a Cross-Lock Coupling or Coupling for the Hercules Pile System	Typical New Construction plates bolt on top of the helical extension section.
Helical Equipment Package	Hydraulic rotary motor and gearbox attached to a power source used to install the pile into the ground	The helical equipment package will normally be mounted to a skid steer or excavator, and the standard installation drive heads will range from 6,000 ft-lbs to 360,000 ft-lbs. A digital or analog torque monitor will be used to calculate the pile's capacity.

FOUNDATION REPAIR



Helical piers, when used as underpinning, can immediately stop your commercial building from settling and bring it back to a safe and level position. When used in conjunction with our patented cross-bolt technology, piercing accessories, equipment, movement-free brackets, and anchors, the foundations of existing structures can be reinforced and repaired.

Why use PierTech's system?

- Our helical piers have been tested and refined in the tough training grounds of commercial construction.
- Using the PierTech system allows for quick and easy installation, and it can save you up to 50% on labor costs.
- The PierTech system allows for easy installation for commercial foundation repair.

FEATURED PATENTED PRODUCTS



CROSS-LOCK™ CONNECTION

- Patented connection saving up to 50% in labor costs
- Torque is fully contained in the coupling
- Zero bolt hole elongation during installation
- Complete steel on steel connection
- Superior strength and lateral stability
- Reduces installation times up to 50%



HERCULES PILE™

- Supports between 200,000 and 1,000,000 lbs
- Can be installed in any weather
- Zero vibration installation
- Low noise installation
- Available in 4" to 48" diameters



TRU-LIFT™ BRACKET

- Lightweight
- Easy to install
- No anchor bolts required
- Virtually moment free

2.2 FOUNDATION REPAIR

System: Commercial Foundation Repair

When investing in your home and adding on an addition, using PierTech's patented helical system will help to permanently stabilize the structure. The helicals are installed on the outside of the home. Installation can be done quickly and easily, as well as save you time and money.



Load Capacity Rating Helical Pile

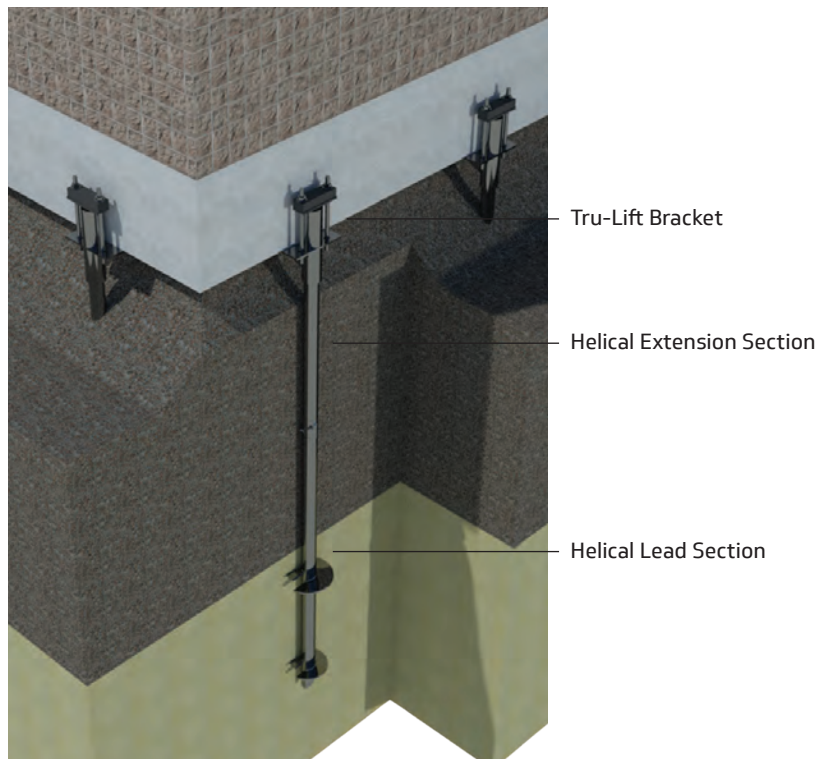
Estimated allowable capacity of 50,000 lbs.
Can be designed for up to 1,000,000 lbs.

Features / Benefits

- Can save you up to 50% in labor costs
- Speed up the construction schedule
- Low noise and vibration free
- All-weather installation
- Low investment to equip excavators or backhoes
- Installs faster than most other deep foundation methods
- Helicals from 2-7/8" to 48" diameters

Installation Instructions

- 1** Excavate to footing at each pile location.
- 2** Notch footing.
- 3** Install helical lead section next to the foundation and add extension until required torque and/or depth is achieved.
- 4** Install Tru-Lift bracket per instructions to lift and/or stabilize.



Consumable Materials

Product	Product Description	Application Description
Helical Lead Section	Pipe section with one or more welded helical bearing plates	Typical lead section 2-7/8" OD, 5' to 7' long pipe, with a single, double, or triple Helix and Cross-Lock coupling.
Helical Extension Sections	Pipe section with Cross-Lock Couplings welded to each side	Typically requires 1 to 2 - 2-7/8" diameter 5' or 7' long Extensions for an overall length of 14' to 21' depth. Attaches to lead section with Cross-Lock Connection.
TRU-LIFT Bracket	Steel Tru-Lift underpinning bracket with stabilization hardware	The Tru-Lift bracket installs under the foundation and attaches to the pier using an L-shaped bracket, T-shaped slider, and two 7/8" all threads.
Helical Equipment Package	Hydraulic rotary motor and gearbox attached to a power source used to install the pile into the ground	The helical equipment package will normally be mounted to a skid steer or excavator, and the standard installation drive heads will range from 6,000 ft-lbs to 16,000 ft-lbs. A digital or analog torque monitor will be used to calculate the pile's capacity.

TILT-UP CONSTRUCTION

The Insta-Brace System by PierTech helps to speed up tilt-up construction, allowing for a quick and easy installation and lift of concrete wall. Tilt-Up using the PierTech system allows contractors to use an economical and efficient alternative to cast-in-place, concrete deadman.

Why use PierTech's system?

- Our anchors have been tested and refined in the tough training grounds of commercial construction.
- Using the PierTech system allows for quick and easy installation.
- The PierTech system allows for easy installation for commercial tilt-up construction.

FEATURED PATENTED PRODUCTS



SQUARE SHAFT ANCHOR

- Fast installation
- High-strength steel
- Can be installed in all weather conditions
- Site verified loading
- Removable and reusable



INSTA-BRACE BRACKET

- Easy installation
- Quick installation
- No curing times
- Removable and reusable



2.3 TILT-UP CONSTRUCTION

System: Insta-brace System

PierTech helical bracing for tilt up construction.



Load Capacity Rating 1 1/2" Helical System

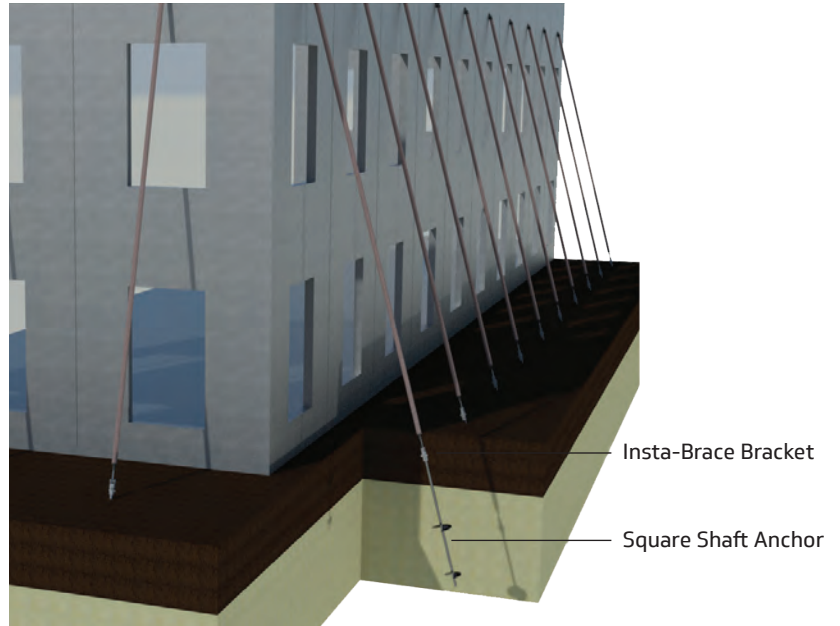
Estimated allowable capacity of 35,000 lbs.
Can be designed for up to 70,000 lbs.

Features / Benefits

- Quick installation and loading capability
- Minimal soil disturbance
- Removable and reusable for future projects
- All-weather installation
- Site verified loading

Installation Instructions

- 1** Excavate the area if needed prior to installation.
- 2** Install anchors to the torque requirement, maintaining continuous downward pressure during installation
- 3** Attach tilt-up brackets and proceed with raising concrete walls into position.



Consumable Materials

Product	Product Description	Application Description
Square Shaft Helical Anchor	Square bar with one or more welded helical bearing plates	Typical square shaft anchor section 1-1/2" square bar in 5' or 7' long square bar, with a double or triple Helix.
Insta-Brace Bracket	High-strength steel bracket that attaches to the square shaft helical anchor	Steel bracket attaches to the top of the 1-1/2" square shaft helical anchor using the required nuts and bolts which attach it to the connector.
Anchor equipment package	Hydraulic rotary motor and gearbox attached to a power source used to install the pile into the ground	The helical equipment package will normally be mounted to a skid steer or excavator, and the standard installation drive heads will range from 6,000 ft-lbs to 360,000 ft-lbs. A digital or analog torque monitor will be used to calculate the pile's capacity.

METAL BUILDINGS



Helical piers make a strong and fast foundation for commercial new construction. The patented PierTech system and the new construction bracket allow for quick and easy installation. Without the need for concrete, there are no delays due to weather or wait times for curing.

Why use PierTech's system?

- Our helical piers have been tested and refined in the tough training grounds of commercial construction.
- Using the PierTech system allows for quick and easy installation, and it can save you up to 50% on labor costs.
- The PierTech system allows for easy installation for commercial new construction of metal buildings

FEATURED PATENTED PRODUCTS



CROSS-LOCK™ CONNECTION

- Patented connection saving up to 50% in labor costs
- Torque is fully contained in the coupling
- Zero bolt hole elongation during installation
- Complete steel on steel connection
- Superior strength and lateral stability
- Reduces installation times up to 50%



HERCULES PILE™

- Supports between 200,000 and 1,000,000 lbs
- Can be installed in any weather
- Zero vibration installation
- Low noise installation
- Available in 4" to 48" diameters



NEW CONSTRUCTION BRACKET

- Can be installed right on top of the Cross-Lock coupler
- No concrete needed
- No welding
- Simple installation

2.4 METAL BUILDINGS

System: New Construction Helical System

Patented Solutions for residential or commercial buildings.



Load Capacity Rating Helical Pile

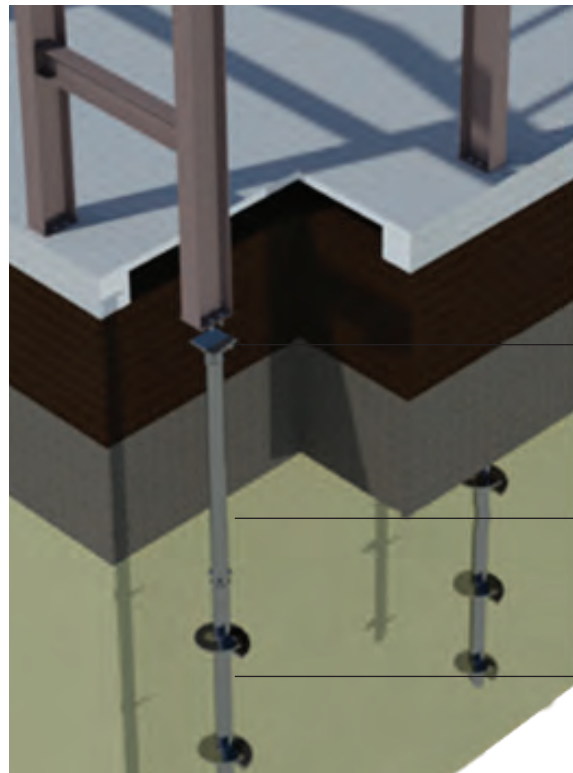
Estimated allowable capacity of 50,000 lbs.
Can be designed for up to 1,000,000 lbs.

Features / Benefits

- Can save you up to 50% in labor costs
- Speed up the construction schedule
- Low noise and vibration free
- All-weather installation
- Low investment to equip excavators or backhoes
- Installs faster than most other deep foundation methods
- Helicals from 2-7/8" to 48" diameters

Installation Instructions

- 1 Excavate the area where the foundation is to be installed.
- 2 Excavate each pier location if needed, but is not necessary.
- 3 Install helical lead section next to the foundation and add extension until required torque and/or depth is achieved.
- 4 Place new construction brackets on top of the helical extension and secure with nuts and bolts.



New Construction Bracket

Helical Extension Section

Helical Lead Section

Consumable Materials

Product	Product Description	Application Description
Helical Lead Section	Pipe section with one or more welded helical bearing plates	Typical lead section 2-7/8", 3-1/2" with a Cross-Lock Coupler, or a Hercules Pile 5', 7', or 10' long pipe, with a single Helix, double, or triple Helix, and Cross-Lock coupler.
Helical Extension Sections	Pipe section with Cross-Lock Couplings welded to each side	Typically requires 1 to 4 - 2-7/8", 3-1/2" Cross-Lock Extensions or a Hercules Pile Extension 5', 7', or 10' long for an overall length of 14' to 50' depth. Attaches to lead section.
New Construction Bracket	Steel plate welded to a Cross-Lock Coupling or Coupling for the Hercules Pile System	Typical New Construction cap sits on top of the helical extension section.
Helical Equipment Package	Hydraulic rotary motor and gearbox attached to a power source used to install the pile into the ground	The helical equipment package will normally be mounted to a skid steer or excavator, and the standard installation drive heads will range from 6,000 ft-lbs to 360,000 ft-lbs. A digital or analog torque monitor will be used to calculate the pile's capacity.

ELEVATED PARKING GARAGES

Helical piers make a strong and fast foundation for commercial new construction. The patented PierTech system and the new construction bracket allow for quick and easy installation. Without the need for concrete, there are no delays due to weather or wait times for curing.

Why use PierTech's system?

- Our helical piers have been tested and refined in the tough training grounds of commercial construction.
- Using the PierTech system allows for a quick and easy installation, and it can save you up to 50% on labor costs.
- The PierTech system allows for easy installation for commercial new construction of elevated parking garages.

FEATURED PATENTED PRODUCTS



CROSS-LOCK™ CONNECTION

- Patented connection saving up to 50% in labor costs
- Torque is fully contained in the coupling
- Zero bolt hole elongation during installation
- Complete steel on steel connection
- Superior strength and lateral stability
- Reduces installation times up to 50%



HERCULES PILE™

- Supports between 200,000 and 1,000,000 lbs
- Can be installed in any weather
- Zero vibration installation
- Low noise installation
- Available in 4" to 48" diameters



NEW CONSTRUCTION BRACKET

- Can be installed right on top of the Cross-Lock coupler
- No concrete needed
- No welding
- Simple installation

2.5 ELEVATED PARKING GARAGES

System: Commercial New Construction Helical System

Patented Solutions for residential or commercial buildings.



Load Capacity Rating Helical Pile

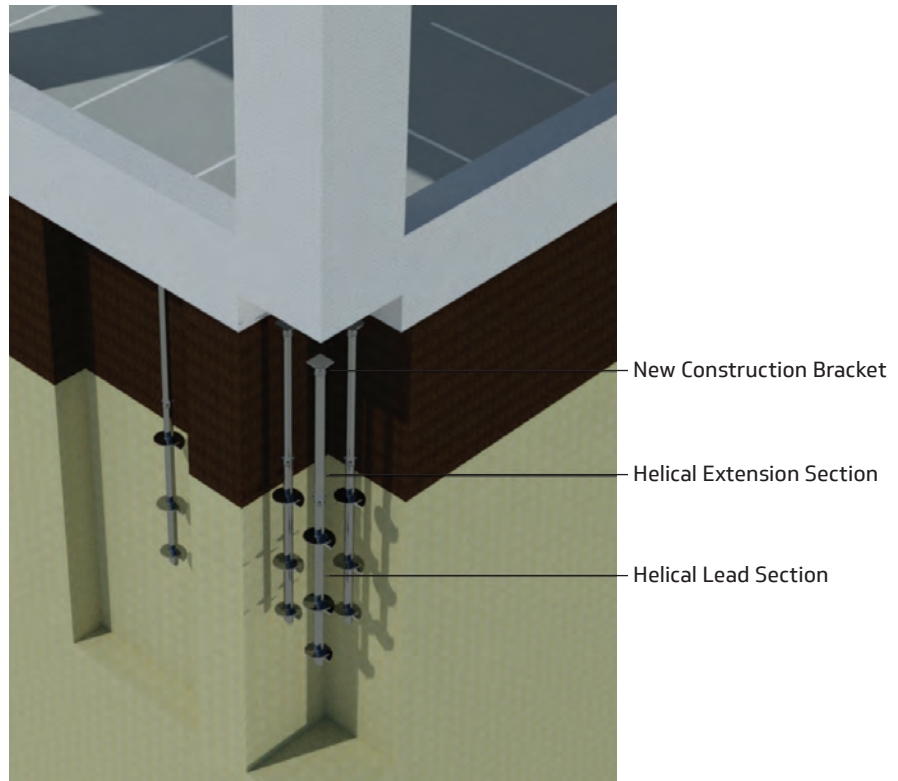
Estimated allowable capacity of 50,000 lbs.
Can be designed for up to 1,000,000 lbs.

Features / Benefits

- Can save you up to 50% in labor costs
- Speed up the construction schedule
- Low noise and vibration free
- All-weather installation
- Low investment to equip excavators or backhoes
- Installs faster than most other deep foundation methods
- Helicals from 2-7/8" to 48" diameters

Installation Instructions

- 1 Excavate the area where the foundation is to be installed.
- 2 Excavate each pier location if needed, but is not necessary.
- 3 Install helical lead section next to the foundation and add extension until required torque and/or depth is achieved.
- 4 Place new construction brackets on top of the helical extension and secure with nuts and bolts.



Consumable Materials

Product	Product Description	Application Description
Helical Lead Section	Pipe section with one or more welded helical bearing plates	Typical lead section 2-7/8", 3-1/2" with a Cross-Lock Coupler, or a Hercules Pile 5', 7', or 10' long pipe, with a single Helix, double, or triple Helix, and Cross-Lock coupler.
Helical Extension Sections	Pipe section with Cross-Lock Couplings welded to each side	Typically requires 1 to 4 - 2-7/8", 3-1/2" Cross-Lock Extensions or a Hercules Pile Extension 5', 7', or 10' long for an overall length of 14' to 50' depth. Attaches to lead section.
New Construction Bracket	Steel plate welded to a Cross-Lock Coupling or Coupling for the Hercules Pile System	Typical New Construction cap bolts on top of the helical extension section.
Helical Equipment Package	Hydraulic rotary motor and gearbox attached to a power source used to install the pile into the ground	The helical equipment package will normally be mounted to a skid steer or excavator, and the standard installation drive heads will range from 6,000 ft-lbs to 360,000 ft-lbs. A digital or analog torque monitor will be used to calculate the pile's capacity.

ELEVATOR PITS



Helical piers make a strong and fast foundation for commercial new construction. The patented PierTech system and the new construction bracket allow for quick and easy installation. Without the need for concrete, there are no delays due to weather or wait times for curing.

Why use PierTech's system?

- Our helical piers have been tested and refined in the tough training grounds of commercial construction.
- Using the PierTech system allows for a quick and easy installation, and it can save you up to 50% on labor costs.
- The PierTech system allows for easy installation for commercial new construction of elevator pits.

FEATURED PATENTED PRODUCTS



CROSS-LOCK™ CONNECTION

- Patented connection saving up to 50% in labor costs
- Torque is fully contained in the coupling
- Zero bolt hole elongation during installation
- Complete steel on steel connection
- Superior strength and lateral stability
- Reduces installation times up to 50%



HERCULES PILE™

- Supports between 200,000 and 1,000,000 lbs
- Can be installed in any weather
- Zero vibration installation
- Low noise installation
- Available in 4" to 48" diameters



NEW CONSTRUCTION BRACKET

- Can be installed right on top of the Cross-Lock coupler
- No concrete needed
- No welding
- Simple installation

2.6 ELEVATOR PITS

System: Commercial Elevator Pits

Patented Solutions for residential or commercial buildings.



Load Capacity Rating Helical Pile

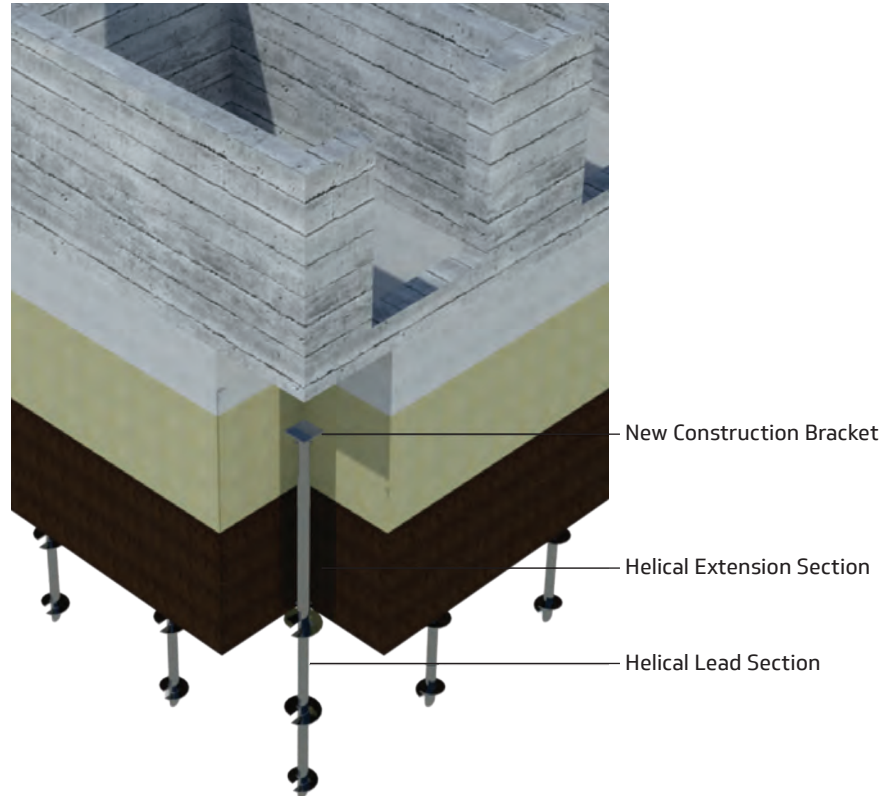
Estimated allowable capacity of 50,000 lbs.
Can be designed for up to 1,000,000 lbs.

Features / Benefits

- Can save you up to 50% in labor costs
- Speed up the construction schedule
- Low noise and vibration free
- All-weather installation
- Low investment to equip excavators or backhoes
- Installs faster than most other deep foundation methods
- Helicals from 2-7/8" to 48" diameters

Installation Instructions

- 1 Excavate the area that will be used for the elevator pit.
- 2 Excavate each pier location if needed, but is not necessary.
- 3 Install helical lead section in each helical pier location specified, and add extension until required torque and/or depth is achieved.
- 4 Place new construction brackets on top of the helical extension and secure with nuts and bolts.



Consumable Materials

Product	Product Description	Application Description
Helical Lead Section	Pipe section with one or more welded helical bearing plates	Typical lead section 2-7/8", 3-1/2" with a Cross-Lock Coupling, or a Hercules Pile 5', 7', or 10' long pipe, with a single Helix, double, or triple Helix, and Cross-Lock coupler.
Helical Extension Sections	Pipe section with Cross-Lock Couplings welded to each side	Typically requires 1 to 4 - 2-7/8", 3-1/2" Cross-Lock Extensions or a Hercules Pile Extension 5', 7', or 10' long Extensions for an overall length of 14' to 50' depth. Attaches to lead section.
New Construction Bracket	Steel plate welded to a Cross-Lock Coupling or Coupling for the Hercules Pile System	Typical New Construction cap sits on top of the helical extension section.
Helical Equipment Package	Hydraulic rotary motor and gearbox attached to a power source used to install the pile into the ground	The helical equipment package will normally be mounted to a skid steer or excavator, and the standard installation drive heads will range from 6,000 ft-lbs to 360,000 ft-lbs. A digital or analog torque monitor will be used to calculate the pile's capacity.

PARKING LOT LIGHTING



Helical piers make a strong and fast foundation for commercial new construction. The patented PierTech system and the new construction bracket allow for quick and easy installation. Without the need for concrete, there are no delays due to weather or wait times for curing.

Why use PierTech's system?

- Our helical piers have been tested and refined in the tough training grounds of commercial construction.
- Using the PierTech system allows for quick and easy installation, and it can save you up to 50% on labor costs.
- The PierTech system allows for easy installation for commercial new construction of parking lot lighting.

FEATURED PATENTED PRODUCTS



HERCULES PILE™

- Supports between 200,000 and 1,000,000 lbs
- Can be installed in any weather
- Zero vibration installation
- Low noise installation
- Available in 4" to 48" diameters



CROSS-LOCK™ CONNECTION

- Patented connection saving up to 50% in labor costs
- Torque is fully contained in the coupling
- Zero bolt hole elongation during installation
- Complete steel on steel connection
- Superior strength and lateral stability
- Reduces installation times up to 50%



2.7 PARKING LOT LIGHTING

System: Light Pole Base

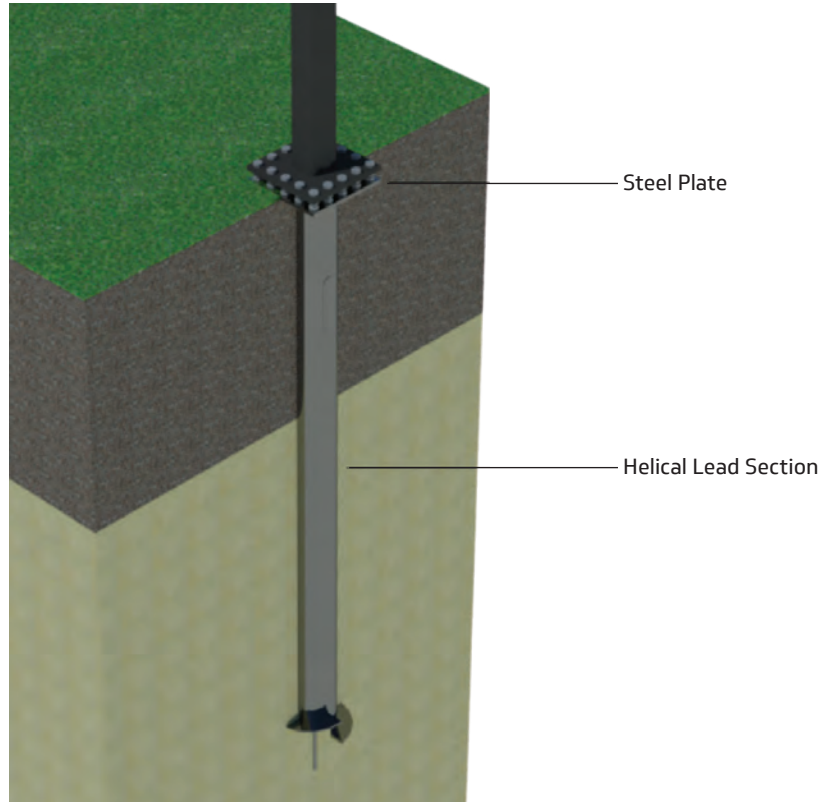
PierTech helical pier designed specifically for 20' to 100' light pole foundations.

Features / Benefits

- Can save you up to 50% in labor costs
- Speed up the construction schedule
- Low noise and vibration free
- All-weather installation
- Low investment to equip excavators or backhoes
- Installs faster than most other deep foundation methods
- Helicals from 2-7/8" to 48" diameters

Installation Instructions

- 1 Excavate area where light pole is to be installed, if required.
- 2 Install helical lead section next to the foundation.
- 3 Secure light pole to bracket that has been welded to pier.



Consumable Materials

Product	Product Description	Application Description
Helical Lead Section	Pipe section with one or more welded helical bearing plates	Typical lead section 6 to 12" with a Hercules Pile 5', 7', or 10' long pipe, with a single Helix, double, or triple Helix.
Helical Equipment Package	Hydraulic rotary motor and gearbox attached to a power source used to install the pile into the ground	The helical equipment package will normally be mounted to a skid steer or excavator, and the standard installation drive heads will range from 6,000 ft-lbs to 360,000 ft-lbs. A digital or analog torque monitor will be used to calculate the pile's capacity.

EQUIPMENT FOUNDATIONS



Helical Piers are a product that is ideally suited for the oil and gas industry. They make a strong permanent solution for the industry. PierTech's Helicals can also be removed easily if the foundation is no longer required, leaving little disturbance or environmental impact.

Why use PierTech's system?

- Our helical piers have been tested and refined in the tough training grounds of commercial construction.
- Using the PierTech system allows for quick and easy installation, and it can save you up to 50% on labor costs.
- The PierTech system allows for easy installation of helical piers being used in the oil and gas industry.

FEATURED PATENTED PRODUCTS



CROSS-LOCK™ CONNECTION

- Patented connection saving up to 50% in labor costs
- Torque is fully contained in the coupling
- Zero bolt hole elongation during installation
- Complete steel on steel connection
- Superior strength and lateral stability
- Reduces installation times up to 50%



ADJUSTABLE OIL & GAS BRACKET

- Can be threaded or welded to structure
- Quick and easy installation
- Adjustable up to 3"

HERCULES PILE™

- Supports between 200,000 and 1,000,000 lbs
- Can be installed in any weather
- Zero vibration installation
- Low noise installation
- Available in 4" to 48" diameters



NEW CONSTRUCTION BRACKET

- Can be installed right on top of the Cross-Lock coupler
- No concrete needed
- No welding
- Simple installation



3.1 EQUIPMENT FOUNDATIONS

System: Industrial New Construction Helical System

Patented solutions for industrial equipment or buildings.



Load Capacity Rating

Helical pile

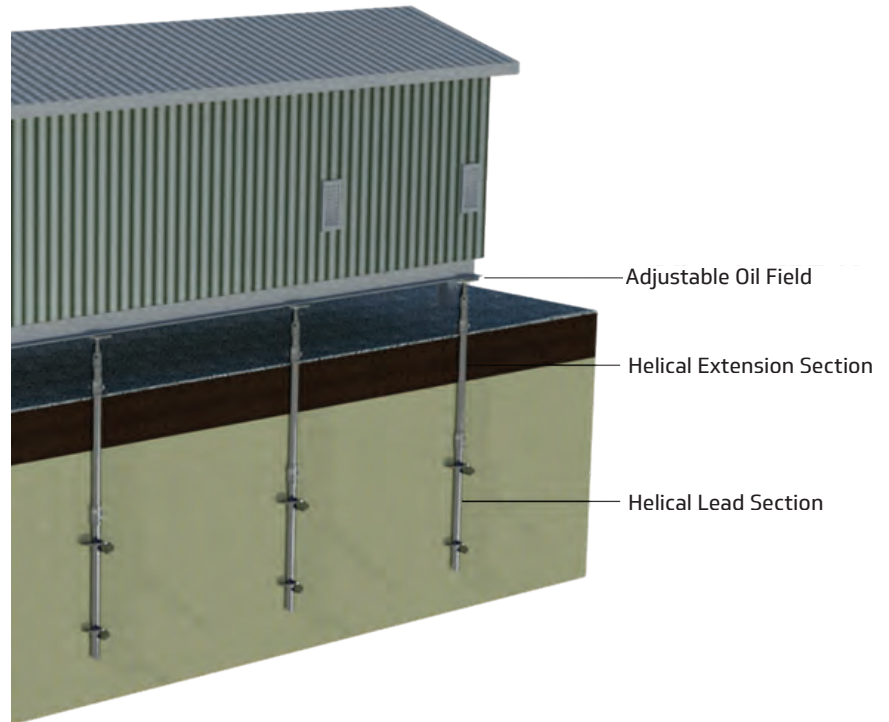
Estimated allowable capacity of 50,000 lbs.
Can be designed for up to 1,000,000 lbs.

Features / Benefits

- Can save you up to 50% in labor costs
- Speed up the construction schedule
- Low noise and vibration free
- All-weather installation
- Low investment to equip excavators or backhoes
- Installs faster than most other deep foundation methods
- Helicals from 2-7/8" to 48" diameters

Installation Instructions

- 1 Excavate the area where the helicals are to be installed.
- 2 Install helical lead section next to the foundation and add extension until required torque and/or depth is achieved.
- 3 Bracket is placed on top of helical and threaded into place, adjusted to the required height.
- 4 Structure is bolted or welded to the bracket in the field.



Consumable Materials

Product	Product Description	Application Description
Helical Lead Section	Pipe section with one or more welded helical bearing plates	Typical lead section 2-7/8", 3-1/2" with a Cross-Lock Coupler, or a Hercules Pile 5', 7', or 10' long pipe, with a single Helix, double, or triple Helix, and Cross-Lock coupling.
Helical Extension Sections	Pipe section with Cross-Lock Couplings welded to each side	Typically requires 1 to 4 - 2-7/8", 3-1/2" Cross-Lock Extensions or a Hercules Pile Extension 5', 7', or 10' long Extensions for an overall length of 14' to 50' depth. Attaches to lead section.
Adjustable Oil and Gas Bracket	Round Plate, threaded to create ability to adjust vertically up to 3 inches	Typical Bracket is a 12" diameter plate that can be welded or bolted to the structure in the field and adjusted vertically up to 3".
New Construction Bracket	Steel Plate welded to a Cross-Lock Coupling or Coupling for the Hercules Pile System	Typical New Construction bracket bolts on top of the helical extension section.
Helical Equipment Package	Hydraulic rotary motor and gearbox attached to a power source used to install the pile into the ground.	The helical equipment package will normally be mounted to a skid steer or excavator, and the standard installation drive heads will range from 6,000 ft-lbs to 360,000 ft-lbs. A digital or analog torque monitor will be used to calculate the pile's capacity.

METERING STATIONS



Helical Piers are a product that is ideally suited for the oil and gas industry. They make a strong permanent solution for the industry. PierTech's Helicals can also be removed easily if the foundation is no longer required, leaving little disturbance or environmental impact.

Why use PierTech's system?

- Our helical piers have been tested and refined in the tough training grounds of commercial construction.
- Using the PierTech system allows for quick and easy installation, and it can save you up to 50% on labor costs.
- The PierTech system allows for easy installation of helical piers being used in the oil and gas industry.

FEATURED PATENTED PRODUCTS



CROSS-LOCK™ CONNECTION

- Patented connection saving up to 50% in labor costs
- Torque is fully contained in the coupling
- Zero bolt hole elongation during installation
- Complete steel on steel connection
- Superior strength and lateral stability
- Reduces installation times up to 50%



- Can be threaded or welded to structure
- Quick and easy installation
- Adjustable up to 3"

HERCULES PILE™

- Supports between 200,000 and 1,000,000 lbs
- Can be installed in any weather
- Zero vibration installation
- Low noise installation
- Available in 4" to 48" diameters



NEW CONSTRUCTION BRACKET

- Can be installed right on top of the Cross-Lock coupler
- No concrete needed
- No welding
- Simple installation



3.2 METERING STATIONS

System: Industrial New Construction Helical System

Patented solutions for industrial equipment or buildings.



Load Capacity Rating Helical Pile

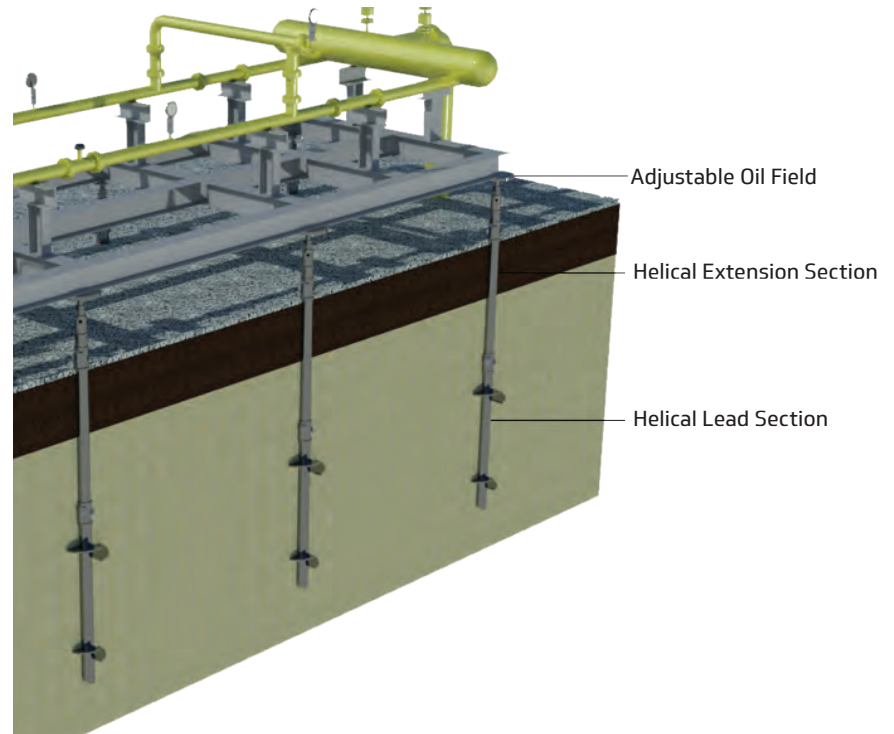
Estimated allowable capacity of 50,000 lbs.
Can be designed for up to 1,000,000 lbs.

Features / Benefits

- Can save you up to 50% in labor costs
- Speed up the construction schedule
- Low noise and vibration free
- All-weather installation
- Low investment to equip excavators or backhoes
- Installs faster than most other deep foundation methods
- Helicals from 2-7/8" to 48" diameters

Installation Instructions

- 1 Excavate the area where the helicals are to be installed.
- 2 Install helical lead section next to the foundation and add extension until required torque and/or depth is achieved.
- 3 Bracket is placed on top of helical and threaded into place, adjusted to the required height.
- 4 Structure is bolted or welded to the bracket in the field.



Consumable Materials

Product	Product Description	Application Description
Helical Lead Section	Pipe section with one or more welded helical bearing plates	Typical lead section 2-7/8", 3-1/2" with a Cross-Lock Coupler, or a Hercules Pile 5', 7', or 10' long pipe, with a single Helix, double, or triple Helix, and Cross-Lock coupling.
Helical Extension Sections	Pipe section with Cross-Lock Couplings welded to each side	Typically requires 1 to 4 - 2-7/8", 3-1/2" Cross-Lock Extensions or a Hercules Pile Extension 5', 7', or 10' long Extensions for an overall length of 14' to 50' depth. Attaches to lead section.
Adjustable Oil and Gas Bracket	Round Plate, threaded to create ability to adjust vertically up to 3 inches	Typical Bracket is a 12" diameter plate that can be welded or bolted to the structure in the field and adjusted vertically up to 3".
New Construction Bracket	Steel Plate welded to a Cross-Lock Coupling or Coupling for the Hercules Pile System	Typical 6" x 6" x 1/2" plate sits on top of the helical extension section.
Helical Equipment Package	Hydraulic rotary motor and gearbox attached to a power source used to install the pile into the ground	The helical equipment package will normally be mounted to a skid steer or excavator, and the standard installation drive heads will range from 6,000 ft-lbs to 360,000 ft-lbs. A digital or analog torque monitor will be used to calculate the pile's capacity.

OIL FIELD



Helical Piers are a product that is ideally suited for the oil and gas industry. They make a strong permanent solution for the industry. PierTech's Helicals can also be removed easily if the foundation is no longer required, leaving little disturbance or environmental impact.

Why use PierTech's system?

- Our helical piers have been tested and refined in the tough training grounds of commercial construction.
- Using the PierTech system allows for quick and easy installation, and it can save you up to 50% on labor costs.
- The PierTech system allows for easy installation of helical piers being used in the oil and gas industry.

FEATURED PATENTED PRODUCTS



CROSS-LOCK™ CONNECTION

- Patented connection saving up to 50% in labor costs
- Torque is fully contained in the coupling
- Zero bolt hole elongation during installation
- Complete steel on steel connection
- Superior strength and lateral stability
- Reduces installation times up to 50%



- Can be threaded or welded to structure
- Quick and easy installation
- Adjustable up to 3"

HERCULES PILE™

- Supports between 200,000 and 1,000,000 lbs
- Can be installed in any weather
- Zero vibration installation
- Low noise installation
- Available in 4" to 48" diameters



NEW CONSTRUCTION BRACKET

- Can be installed right on top of the Cross-Lock coupler
- No concrete needed
- No welding
- Simple installation



3.3 OIL FIELD

System: Industrial New Construction Helical System

Patented solutions for industrial equipment or buildings.



Load Capacity Rating Helical Pile

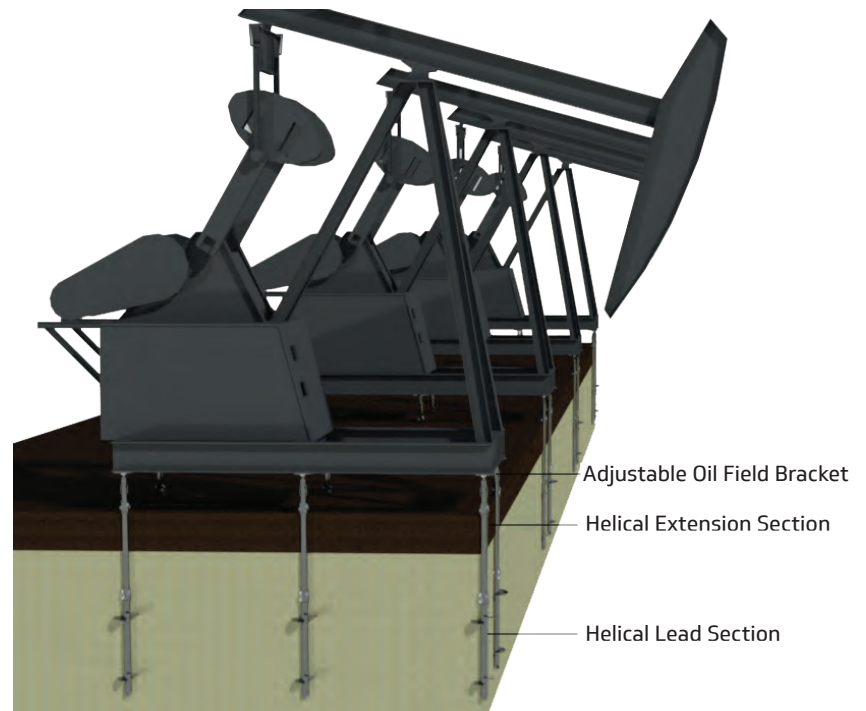
Estimated allowable capacity of 50,000 lbs.
Can be designed for up to 1,000,000 lbs.

Features / Benefits

- Can save you up to 50% in labor costs
- Speed up the construction schedule
- Low noise and vibration free
- All-weather installation
- Low investment to equip excavators or backhoes
- Installs faster than most other deep foundation methods
- Helicals from 2-7/8" to 48" diameters

Installation Instructions

- 1 Excavate the area where the helicals are to be installed.
- 2 Install helical lead section next to the foundation and add extension until required torque and/or depth is achieved.
- 3 Bracket is placed on top of helical and threaded into place, adjusted to the required height.
- 4 Structure is bolted or welded to the bracket in the field.



Consumable Materials

Product	Product Description	Application Description
Helical Lead Section	Pipe section with one or more welded helical bearing plates	Typical lead section 2-7/8", 3-1/2" with a Cross-Lock Coupler, or a Hercules Pile 5', 7', or 10' long pipe, with a single Helix, double, or triple Helix, and Cross-Lock coupling.
Helical Extension Sections	Pipe section with Cross-Lock Couplings welded to each side	Typically requires 1 to 4 - 2-7/8", 3-1/2" Cross-Lock Extensions or a Hercules Pile Extension 5', 7', or 10' long Extensions for an overall length of 14' to 50' depth. Attaches to lead section.
Adjustable Oil and Gas Bracket	Round Plate, threaded to create ability to adjust vertically up to 3 inches	Typical Bracket is a 12" diameter plate that can be welded or bolted to the structure in the field and adjusted vertically up to 3".
New Construction Bracket	Steel Plate welded to a Cross-Lock Coupling or Coupling for the Hercules Pile System	Typical 6" x 6" x 1/2" plate sits on top of the helical extension section.
Helical Equipment Package	Hydraulic rotary motor and gearbox attached to a power source used to install the pile into the ground.	The helical equipment package will normally be mounted to a skid steer or excavator, and the standard installation drive heads will range from 6,000 ft-lbs to 360,000 ft-lbs. A digital or analog torque monitor will be used to calculate the pile's capacity.

PIG LAUNCHERS

Helical Piers are a product that is ideally suited for the oil and gas industry. They make a strong permanent solution for the industry. PierTech's Helicals can also be removed easily if the foundation is no longer required, leaving little disturbance or environmental impact.

Why use PierTech's system?

- Our helical piers have been tested and refined in the tough training grounds of commercial construction.
- Using the PierTech system allows for quick and easy installation, and it can save you up to 50% on labor costs.
- The PierTech system allows for easy installation of helical piers being used in the oil and gas industry.

FEATURED PATENTED PRODUCTS



CROSS-LOCK™ CONNECTION

- Patented connection saving up to 50% in labor costs
- Torque is fully contained in the coupling
- Zero bolt hole elongation during installation
- Complete steel on steel connection
- Superior strength and lateral stability
- Reduces installation times up to 50%



- Can be threaded or welded to structure
- Quick and easy installation
- Adjustable up to 3"

HERCULES PILE™

- Supports between 200,000 and 1,000,000 lbs
- Can be installed in any weather
- Zero vibration installation
- Low noise installation
- Available in 4" to 48" diameters



NEW CONSTRUCTION BRACKET

- Can be installed right on top of the Cross-Lock coupler
- No concrete needed
- No welding
- Simple installation



3.4 PIG LAUNCHERS

System: Oil & Gas Helical System

PierTech helical solution to allow for on site elevation adjustments.



Load Capacity Rating Helical Pile

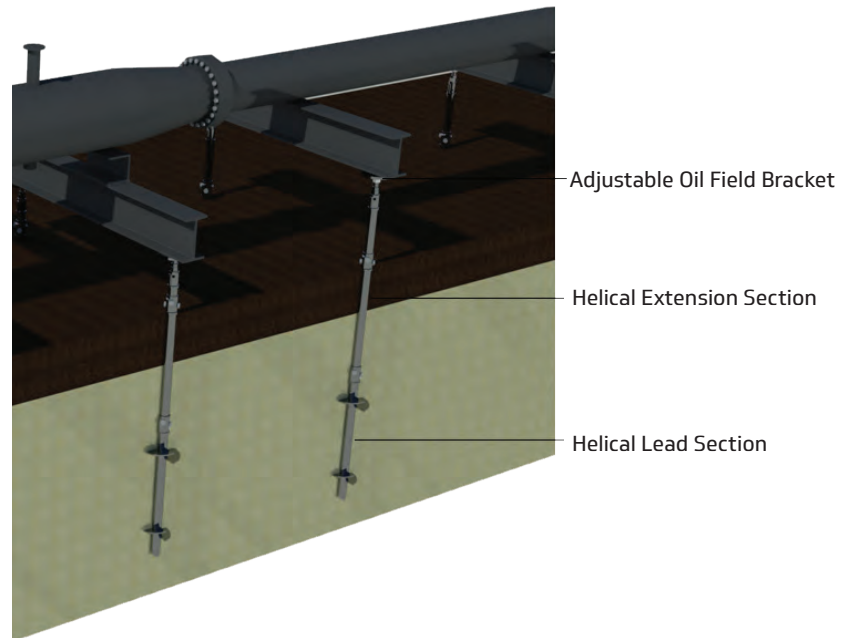
Estimated allowable capacity of 50,000 lbs.
Can be designed for up to 1,000,000 lbs.

Features / Benefits

- Can save you up to 50% in labor costs
- Speed up the construction schedule
- Low noise and vibration free
- All-weather installation
- Low investment to equip excavators or backhoes
- Installs faster than most other deep foundation methods
- Helicals from 2-7/8" to 48" diameters

Installation Instructions

- 1 Excavate the area where the helicals are to be installed.
- 2 Install helical lead section next to the foundation and add extension until required torque and/or depth is achieved.
- 3 Bracket is placed on top of helical and threaded into place, adjusted to the required height.
- 4 Structure is bolted or welded to the bracket in the field.



Consumable Materials

Product	Product Description	Application Description
Helical Lead Section	Pipe section with one or more welded helical bearing plates	Typical lead section 2-7/8", 3-1/2" with a Cross-Lock Coupler, or a Hercules Pile 5', 7', or 10' long pipe, with a single Helix, double, or triple Helix, and Cross-Lock coupling.
Helical Extension Sections	Pipe section with Cross-Lock Couplings welded to each side	Typically requires 1 to 4 - 2-7/8", 3-1/2" Cross-Lock Extensions or a Hercules Pile Extension 5', 7', or 10' long Extensions for an overall length of 14' to 50' depth. Attaches to lead section.
Adjustable Oil and Gas Bracket	Round Plate, threaded to create ability to adjust vertically up to 3 inches	Typical Bracket is a 12" diameter plate that can be welded or bolted to the structure in the field and adjusted vertically up to 3".
New Construction Bracket	Steel Plate welded to a Cross-Lock Coupling or Coupling for the Hercules Pile System	Typical 6" x 6" x 1/2" plate sits on top of the helical extension section.
Helical Equipment Package	Hydraulic rotary motor and gearbox attached to a power source used to install the pile into the ground.	The helical equipment package will normally be mounted to a skid steer or excavator, and the standard installation drive heads will range from 6,000 ft-lbs to 360,000 ft-lbs. A digital or analog torque monitor will be used to calculate the pile's capacity.

PUMPJACKS

Helical Piers are a product that is ideally suited for the oil and gas industry. They make a strong permanent solution for the industry. PierTech's Helicals can also be removed easily if the foundation is no longer required, leaving little disturbance or environmental impact.

Why use PierTech's system?

- Our helical piers have been tested and refined in the tough training grounds of commercial construction.
- Using the PierTech system allows for quick and easy installation, and it can save you up to 50% on labor costs.
- The PierTech system allows for easy installation of helical piers being used in the oil and gas industry.

FEATURED PATENTED PRODUCTS



CROSS-LOCK™ CONNECTION

- Patented connection saving up to 50% in labor costs
- Torque is fully contained in the coupling
- Zero bolt hole elongation during installation
- Complete steel on steel connection
- Superior strength and lateral stability
- Reduces installation times up to 50%



- Can be threaded or welded to structure
- Quick and easy installation
- Adjustable up to 3"

HERCULES PILE™

- Supports between 200,000 and 1,000,000 lbs
- Can be installed in any weather
- Zero vibration installation
- Low noise installation
- Available in 4" to 48" diameters



NEW CONSTRUCTION BRACKET

- Can be installed right on top of the Cross-Lock coupler
- No concrete needed
- No welding
- Simple installation



3.5 PUMP JACKS

System: Industrial New Construction Helical System

Patented solutions for industrial equipment or buildings.



Load Capacity Rating Helical Pile

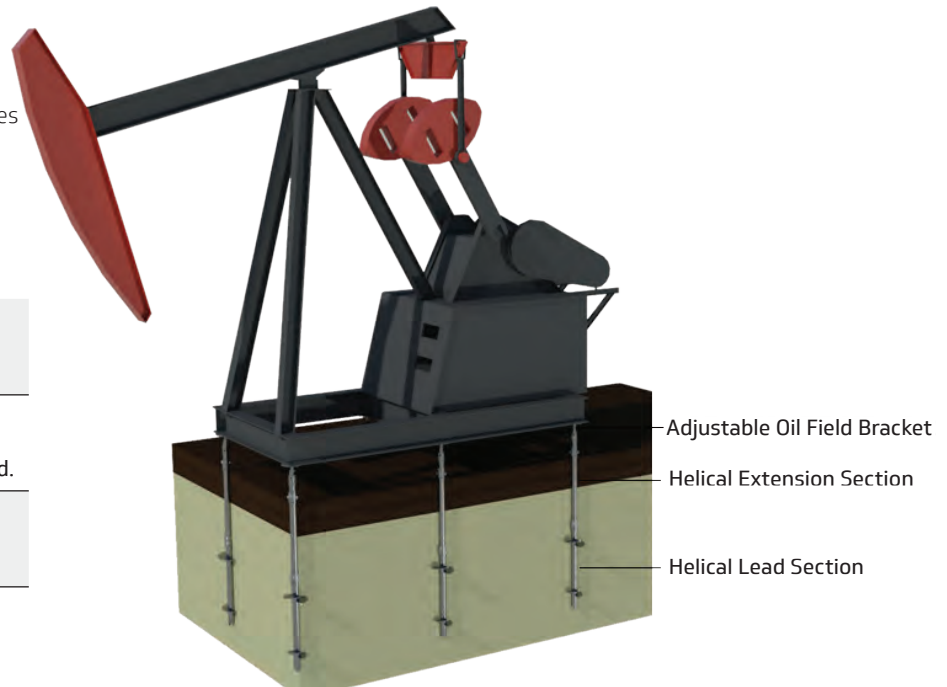
Estimated allowable capacity of 50,000 lbs.
Can be designed for up to 1,000,000 lbs.

Features / Benefits

- Can save you up to 50% in labor costs
- Speed up the construction schedule
- Low noise and vibration free
- All-weather installation
- Low investment to equip excavators or backhoes
- Installs faster than most other deep foundation methods
- Helicals from 2-7/8" to 48" diameters

Installation Instructions

- 1 Excavate the area where the helicals are to be installed.
- 2 Install helical lead section next to the foundation and add extension until required torque and/or depth is achieved.
- 3 Bracket is placed on top of helical and threaded into place, adjusted to the required height.
- 4 Structure is bolted or welded to the bracket in the field.



Consumable Materials

Product	Product Description	Application Description
Helical Lead Section	Pipe section with one or more welded helical bearing plates	Typical lead section 2-7/8", 3-1/2" with a Cross-Lock Coupler, or a Hercules Pile 5', 7', or 10' long pipe, with a single Helix, double, or triple Helix, and Cross-Lock coupling.
Helical Extension Sections	Pipe section with Cross-Lock Couplings welded to each side	Typically requires 1 to 4 - 2-7/8", 3-1/2" Cross-Lock Extensions or a Hercules Pile Extension 5', 7', or 10' long Extensions for an overall length of 14' to 50' depth. Attaches to lead section.
Adjustable Oil and Gas Bracket	Round Plate, threaded to create ability to adjust vertically up to 3 inches	Typical Bracket is a 12" diameter plate that can be welded or bolted to the structure in the field and adjusted vertically up to 3".
New Construction Bracket	Steel Plate welded to a Cross-Lock Coupling or Coupling for the Hercules Pile System	Typical 6" x 6" x 1/2" plate sits on top of the helical extension section.
Helical Equipment Package	Hydraulic rotary motor and gearbox attached to a power source used to install the pile into the ground.	The helical equipment package will normally be mounted to a skid steer or excavator, and the standard installation drive heads will range from 6,000 ft-lbs to 360,000 ft-lbs. A digital or analog torque monitor will be used to calculate the pile's capacity.

PIPELINES



Helical Piers are a product that is ideally suited for the oil and gas industry. They make a strong permanent solution for the industry. PierTech's Helicals can also be removed easily if the foundation is no longer required, leaving little disturbance or environmental impact.

Why use PierTech's system?

- Our helical piers have been tested and refined in the tough training grounds of commercial construction.
- Using the PierTech system allows for quick and easy installation, and it can save you up to 50% on labor costs.
- The PierTech system allows for easy installation of helical piers being used in the oil and gas industry.

FEATURED PATENTED PRODUCTS



CROSS-LOCK™ CONNECTION

- Patented connection saving up to 50% in labor costs
- Torque is fully contained in the coupling
- Zero bolt hole elongation during installation
- Complete steel on steel connection
- Superior strength and lateral stability
- Reduces installation times up to 50%



- Can be threaded or welded to structure
- Quick and easy installation
- Adjustable up to 3"

HERCULES PILE™

- Supports between 200,000 and 1,000,000 lbs
- Can be installed in any weather
- Zero vibration installation
- Low noise installation
- Available in 4" to 48" diameters



NEW CONSTRUCTION BRACKET

- Can be installed right on top of the Cross-Lock coupler
- No concrete needed
- No welding
- Simple installation



3.5 PIPELINES

System: Oil & Gas Helical System

PierTech helical solution to allow for on site elevation adjustments.



Load Capacity Rating Helical Pile

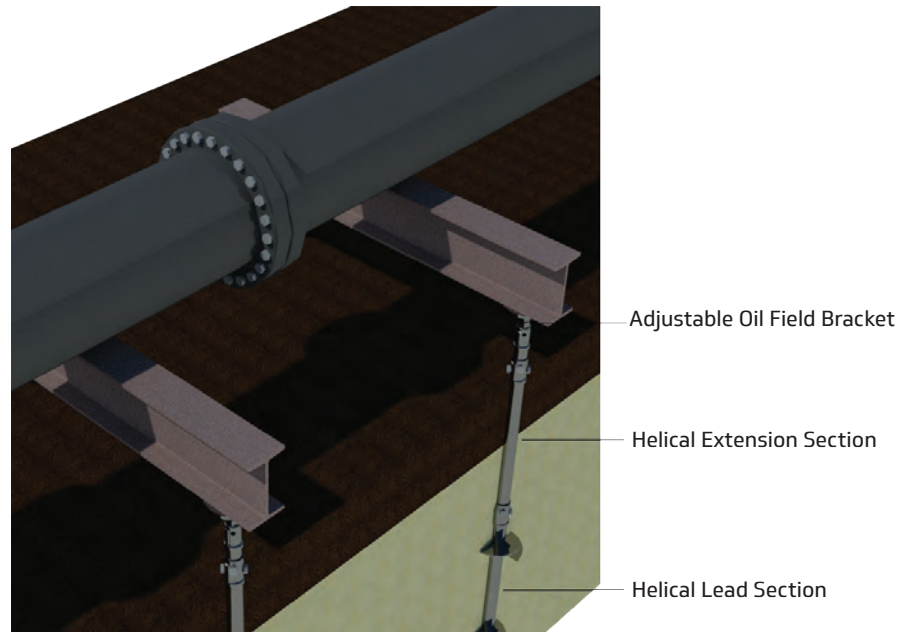
Estimated allowable capacity of 50,000 lbs.
Can be designed for up to 1,000,000 lbs.

Features / Benefits

- Can save you up to 50% in labor costs
- Speed up the construction schedule
- Low noise and vibration free
- All-weather installation
- Low investment to equip excavators or backhoes
- Installs faster than most other deep foundation methods
- Helicals from 2-7/8" to 48" diameters

Installation Instructions

- 1 Excavate the area where the helicals are to be installed.
- 2 Install helical lead section next to the foundation and add extension until required torque and/or depth is achieved.
- 3 Bracket is placed on top of helical and threaded into place, adjusted to the required height.
- 4 Structure is bolted or welded to the bracket in the field.



Consumable Materials

Product	Product Description	Application Description
Helical Lead Section	Pipe section with one or more welded helical bearing plates	Typical lead section 2-7/8", 3-1/2" with a Cross-Lock Coupler, or a Hercules Pile 5', 7', or 10' long pipe, with a single Helix, double, or triple Helix, and Cross-Lock coupling.
Helical Extension Sections	Pipe section with Cross-Lock Couplings welded to each side	Typically requires 1 to 4 - 2-7/8", 3-1/2" Cross-Lock Extensions or a Hercules Pile Extension 5', 7', or 10' long Extensions for an overall length of 14' to 50' depth. Attaches to lead section.
Adjustable Oil and Gas Bracket	Round Plate, threaded to create ability to adjust vertically up to 3 inches	Typical Bracket is a 12" diameter plate that can be welded or bolted to the structure in the field and adjusted vertically up to 3".
New Construction Bracket	Steel Plate welded to a Cross-Lock Coupling or Coupling for the Hercules Pile System	Typical 6" x 6" x 1/2" plate sits on top of the helical extension section.
Helical Equipment Package	Hydraulic rotary motor and gearbox attached to a power source used to install the pile into the ground.	The helical equipment package will normally be mounted to a skid steer or excavator, and the standard installation drive heads will range from 6,000 ft-lbs to 360,000 ft-lbs. A digital or analog torque monitor will be used to calculate the pile's capacity.

REFINERIES

Helical Piers are a product that is ideally suited for the oil and gas industry. They make a strong permanent solution for the industry. PierTech's Helicals can also be removed easily if the foundation is no longer required, leaving little disturbance or environmental impact.

Why use PierTech's system?

- Our helical piers have been tested and refined in the tough training grounds of commercial construction.
- Using the PierTech system allows for quick and easy installation, and it can save you up to 50% on labor costs.
- The PierTech system allows for easy installation of helical piers being used in the oil and gas industry.

FEATURED PATENTED PRODUCTS



CROSS-LOCK™ CONNECTION

- Patented connection saving up to 50% in labor costs
- Torque is fully contained in the coupling
- Zero bolt hole elongation during installation
- Complete steel on steel connection
- Superior strength and lateral stability
- Reduces installation times up to 50%



- Can be threaded or welded to structure
- Quick and easy installation
- Adjustable up to 3"

HERCULES PILE™

- Supports between 200,000 and 1,000,000 lbs
- Can be installed in any weather
- Zero vibration installation
- Low noise installation
- Available in 4" to 48" diameters



NEW CONSTRUCTION BRACKET

- Can be installed right on top of the Cross-Lock coupler
- No concrete needed
- No welding
- Simple installation



3.5 REFINERIES

System: Industrial New Construction Helical System

Patented solutions for industrial equipment or buildings.



Load Capacity Rating Helical Pile

Estimated allowable capacity of 50,000 lbs.
Can be designed for up to 1,000,000 lbs.

Features / Benefits

- Can save you up to 50% in labor costs
- Speed up the construction schedule
- Low noise and vibration free
- All-weather installation
- Low investment to equip excavators or backhoes
- Installs faster than most other deep foundation methods
- Helicals from 2-7/8" to 48" diameters

Installation Instructions

- 1 Excavate the area where the helicals are to be installed.
- 2 Install helical lead section next to the foundation and add extension until required torque and/or depth is achieved.
- 3 Bracket is placed on top of helical and threaded into place, adjusted to the required height.
- 4 Structure is bolted or welded to the bracket in the field.



Adjustable Oil Field Bracket

Helical Extension Section

Helical Lead Section

Consumable Materials

Product	Product Description	Application Description
Helical Lead Section	Pipe section with one or more welded helical bearing plates	Typical lead section 2-7/8", 3-1/2" with a Cross-Lock Coupler, or a Hercules Pile 5', 7', or 10' long pipe, with a single Helix, double, or triple Helix, and Cross-Lock coupling.
Helical Extension Sections	Pipe section with Cross-Lock Couplings welded to each side	Typically requires 1 to 4 - 2-7/8", 3-1/2" Cross-Lock Extensions or a Hercules Pile Extension 5', 7', or 10' long Extensions for an overall length of 14' to 50' depth. Attaches to lead section.
Adjustable Oil and Gas Bracket	Round Plate, threaded to create ability to adjust vertically up to 3 inches	Typical Bracket is a 12" diameter plate that can be welded or bolted to the structure in the field and adjusted vertically up to 3".
New Construction Bracket	Steel Plate welded to a Cross-Lock Coupling or Coupling for the Hercules Pile System	Typical 6" x 6" x 1/2" plate sits on top of the helical extension section.
Helical Equipment Package	Hydraulic rotary motor and gearbox attached to a power source used to install the pile into the ground.	The helical equipment package will normally be mounted to a skid steer or excavator, and the standard installation drive heads will range from 6,000 ft-lbs to 360,000 ft-lbs. A digital or analog torque monitor will be used to calculate the pile's capacity.

NEW CONSTRUCTION SOLUTIONS

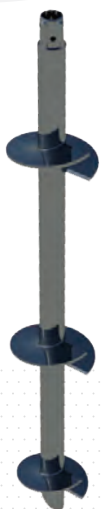
MINES

Helical piers make a strong and fast foundation for the industrial market. The patented PierTech system and the new construction bracket allow for quick and easy installation. Without the need for concrete, there are no delays due to weather or wait times for curing.

Why use PierTech's system?

- Our helical piers have been tested and refined in the tough training grounds in the industrial market.
- Using the PierTech system allows for a quick and easy installation, and it can save you up to 50% on labor costs.
- The PierTech system allows for easy installation for construction needed for mining.

FEATURED PATENTED PRODUCTS



CROSS-LOCK™ CONNECTION

- Patented connection saving up to 50% in labor costs
- Torque is fully contained in the coupling
- Zero bolt hole elongation during installation
- Complete steel on steel connection
- Superior strength and lateral stability
- Reduces installation times up to 50%



NEW CONSTRUCTION BRACKET

- Can be installed right on top of the Cross-Lock coupler
- No concrete needed
- No welding
- Simple installation

HERCULES PILE™

- Supports between 200,000 and 1,000,000 lbs
- Can be installed in any weather
- Zero vibration installation
- Low noise installation
- Available in 4" to 48" diameters



4.2 MINES

System: Industrial New Construction Helical System

Patented solutions for industrial equipment or buildings.



Load Capacity Rating Helical Pile

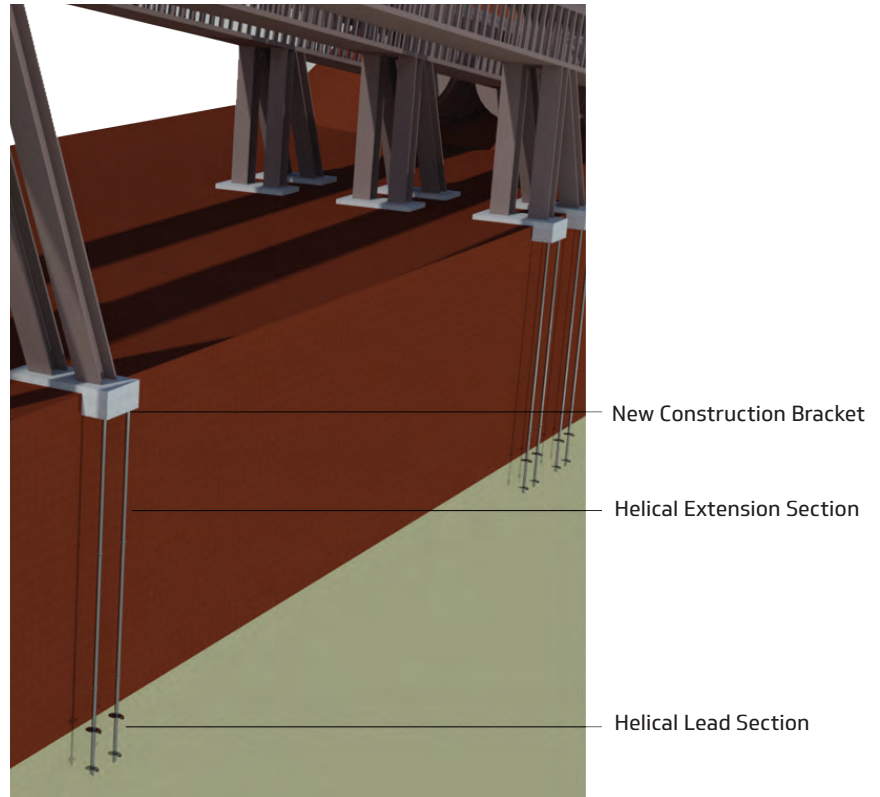
Estimated allowable capacity of 50,000 lbs.
Can be designed for up to 1,000,000 lbs.

Features / Benefits

- Can save you up to 50% in labor costs
- Speed up the construction schedule
- Low noise and vibration free
- All-weather installation
- Low investment to equip excavators or backhoes
- Installs faster than most other deep foundation methods
- Helicals from 2-7/8" to 48" diameters

Installation Instructions

- 1 Excavate the area where the foundation is to be installed.
- 2 Excavate each pier location if needed, but is not necessary.
- 3 Install helical lead section next to the foundation and add extension until required torque and/or depth is achieved.
- 4 Place new construction brackets on top of the helical extension and secure with nuts and bolts.



Consumable Materials

Product	Product Description	Application Description
Helical Lead Section	Pipe section with one or more welded helical bearing plates	Typical lead section 2-7/8", 3-1/2" with a Cross-Lock Coupler, or a Hercules Pile 5', 7', or 10' long pipe, with a single Helix, double, or triple Helix, and Cross-Lock coupling.
Helical Extension Sections	Pipe section with Cross-Lock Couplings welded to each side	Typically requires 1 to 4 - 2-7/8", 3-1/2" Cross-Lock Extensions or a Hercules Pile Extension 5', 7', or 10' long Extensions for an overall length of 14' to 50' depth. Attaches to lead section.
New Construction Bracket	Steel plate welded to a Cross-Lock Coupling or Coupling for the Hercules Pile System	Typical 6" x 6" x 1/2" plate sits on top of the helical extension section.
Helical Equipment Package	Hydraulic rotary motor and gearbox attached to a power source used to install the pile into the ground	The helical equipment package will normally be mounted to a skid steer or excavator, and the standard installation drive heads will range from 6,000 ft-lbs to 360,000 ft-lbs. A digital or analog torque monitor will be used to calculate the pile's capacity.

EQUIPMENT FOUNDATIONS

Helical Piers are a product that is ideally suited for the industrial industry. They make a strong permanent solution in tight access areas, remote locations, and other hard to reach spaces. Helicals can be installed in minutes and can also be removed easily if the foundation is no longer required, leaving little disturbance or environmental impact.

Why use PierTech's system?

- Our helical piers have been tested and refined in the tough training grounds of commercial construction.
- Using the PierTech system allows for quick and easy installation, and it can save you up to 50% on labor costs.
- The PierTech system allows for easy installation of helical piers being used for equipment foundations in the oil and gas industry.

FEATURED PATENTED PRODUCTS



CROSS-LOCK™ CONNECTION

- Patented connection saving up to 50% in labor costs
- Torque is fully contained in the coupling
- Zero bolt hole elongation during installation
- Complete steel on steel connection
- Superior strength and lateral stability
- Reduces installation times up to 50%



HERCULES PILE™

- Supports between 200,000 and 1,000,000 lbs
- Can be installed in any weather
- Zero vibration installation
- Low noise installation
- Available in 4" to 48" diameters



NEW CONSTRUCTION BRACKET

- Can be installed right on top of the Cross-Lock coupler
- No concrete needed
- No welding
- Simple installation

4.3 EQUIPMENT FOUNDATIONS

System: Industrial New Construction Helical System

Patented solutions for industrial equipment or buildings.



Load Capacity Rating Helical Pile

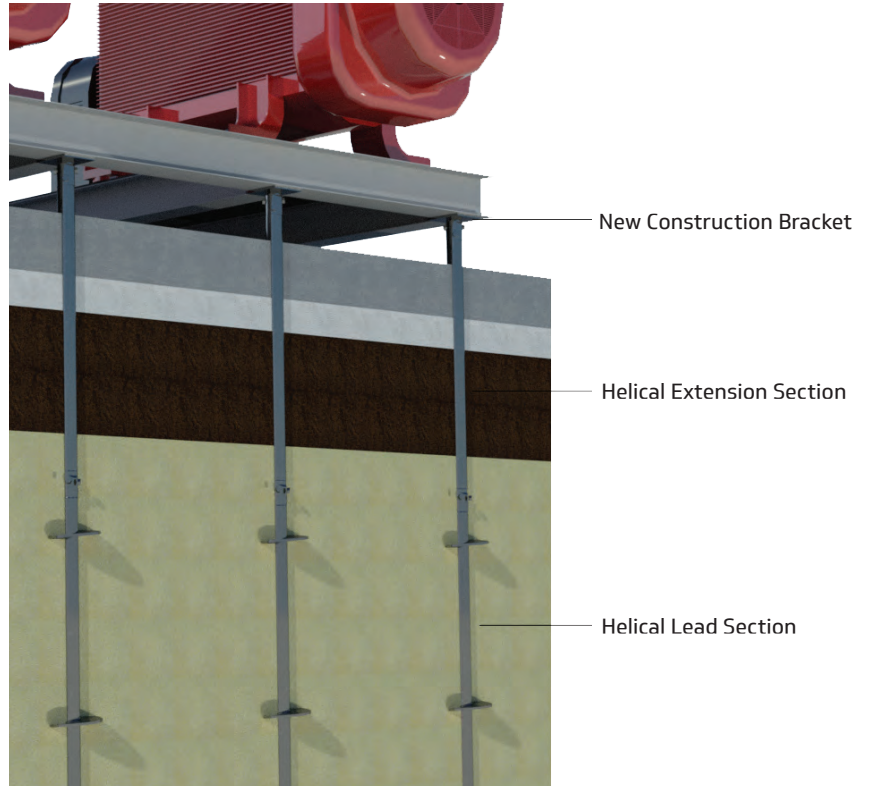
Estimated allowable capacity of 50,000 lbs.
Can be designed for up to 1,000,000 lbs.

Features / Benefits

- Can save you up to 50% in labor costs
- Speed up the construction schedule
- Low noise and vibration free
- All-weather installation
- Low investment to equip excavators or backhoes
- Installs faster than most other deep foundation methods
- Helicals from 2-7/8" to 48" diameters

Installation Instructions

- 1 Excavate the area where the helicals are to be installed.
- 2 Install helical lead section next to the foundation and add extension until required torque and/or depth is achieved.
- 3 Bracket is placed on top of helical and threaded into place, adjusted to the required height.
- 4 Structure is bolted or welded to the bracket in the field.



Consumable Materials

Product	Product Description	Application Description
Helical Lead Section	Pipe section with one or more welded helical bearing plates	Typical lead section 2-7/8", 3-1/2" with a Cross-Lock Coupler, or a Hercules Pile 5', 7', or 10' long pipe, with a single Helix, double, or triple Helix, and Cross-Lock coupling.
Helical Extension Sections	Pipe section with Cross-Lock Couplings welded to each side	Typically requires 1 to 4 - 2-7/8", 3-1/2" Cross-Lock Extensions or a Hercules Pile Extension 5', 7', or 10' long Extensions for an overall length of 14' to 50' depth. Attaches to lead section.
New Construction Bracket	Steel plate welded to a Cross-Lock Coupling or Coupling for the Hercules Pile System	Typical 6" x 6" x 1/2" plate sits on top of the helical extension section.
Helical Equipment Package	Hydraulic rotary motor and gearbox attached to a power source used to install the pile into the ground	The helical equipment package will normally be mounted to a skid steer or excavator, and the standard installation drive heads will range from 6,000 ft-lbs to 360,000 ft-lbs. A digital or analog torque monitor will be used to calculate the pile's capacity.

ALTERNATIVE ENERGY

SOLAR ENERGY



Helical Piers are a product that are suited for alternative energy. They make a strong permanent foundation for all things alternative energy ensuring a lifetime of stability. Helicals can be installed in minutes and can also be removed easily if the foundation is no longer required, leaving little disturbance or environmental impact.

Why use PierTech's patented system?

- Our helical piers have been tested and refined in the tough training grounds of new and existing construction.
- Using the PierTech system allows for quick and easy installation, and it can save you up to 50% on labor costs.
- The PierTech system allows for easy installation of helical piers being used for equipment foundations in the alternative energy industry.

FEATURED PATENTED PRODUCTS



CROSS-LOCK™ CONNECTION

- Patented connection saving up to 50% in labor costs
- Torque is fully contained in the coupling
- Zero bolt hole elongation during installation
- Complete steel on steel connection
- Superior strength and lateral stability
- Reduces installation times up to 50%



HERCULES PILE™

- Supports between 200,000 and 1,000,000 lbs
- Can be installed in any weather
- Zero vibration installation
- Low noise installation
- Available in 4" to 48" diameters



NEW CONSTRUCTION BRACKET

- Can be installed right on top of the Cross-Lock coupler
- No concrete needed
- No welding
- Simple installation

5.1 SOLAR ENERGY

System: New Construction System

PierTech helical foundation allows for solar panel structures to be bolted or welded directly to the helical piles.



Load Capacity Rating

Helical pile

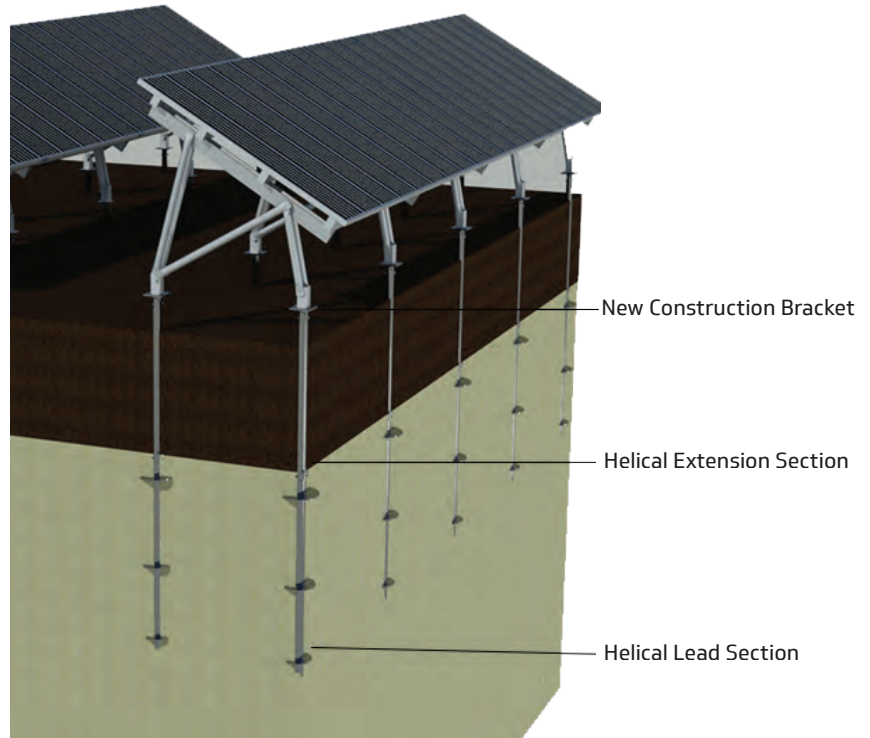
Estimated allowable capacity of 50,000 lbs.
Can be designed for up to 100,000 lbs.

Features / Benefits

- Can save you up to 50% in labor costs
- Speed up the construction schedule
- Low noise and vibration free
- All-weather installation
- Low investment to equip excavators or backhoes
- Installs faster than most other deep foundation methods
- Helicals from 2-7/8" to 48" diameters

Installation Instructions

- 1** Excavate the area where the foundation is to be installed.
- 2** Excavate each pier location if needed, but is not necessary.
- 3** Install helical lead section next to the foundation and add extension until required torque and/or depth is achieved.
- 4** Place new construction brackets on top of the helical extension and secure with nuts and bolts.



Consumable Materials

Product	Product Description	Application Description
Helical Lead Section	Pipe section with one or more welded helical bearing plates	Typical lead section 2-7/8" OD, 5' to 7' long pipe, with a single Helix and Cross-Lock coupling.
Helical Extension Sections	Pipe section with Cross-Lock Couplings welded to each side	Typically requires 1 to 2 - 2-7/8" 5' or 7' long Extensions for an overall length of 14' to 21' depth. Attaches to lead section with Cross-Lock Connection .
New Construction Bracket	Steel Plate welded to a Cross-Lock Coupling or Coupling for the Hercules Pile System	Typical 6" x 6" x 1/2" plate sits on top of the helical extension section.
Helical Equipment Package	Hydraulic rotary motor and gearbox attached to a power source used to install the pile into the ground	The helical equipment package will normally be mounted to a skid steer or excavator, and the standard installation drive heads will range from 6,000 ft-lbs to 16,000 ft-lbs. A digital or analog torque monitor will be used to calculate the pile's capacity.

WIND ENERGY



Helical Piers are a product that are suited for alternative energy. They make a strong permanent foundation for all things alternative energy ensuring a lifetime of stability. Helicals can be installed in minutes and can also be removed easily if the foundation is no longer required, leaving little disturbance or environmental impact.

Why use PierTech's patented system?

- Our helical piers have been tested and refined in the tough training grounds of new and existing construction.
- Using the PierTech system allows for quick and easy installation, and it can save you up to 50% on labor costs.
- The PierTech system allows for easy installation of helical piers being used for equipment foundations in the alternative energy industry.

FEATURED PATENTED PRODUCTS



CROSS-LOCK™ CONNECTION

- Patented connection saving up to 50% in labor costs
- Torque is fully contained in the coupling
- Zero bolt hole elongation during installation
- Complete steel on steel connection
- Superior strength and lateral stability
- Reduces installation times up to 50%



HERCULES PILE™

- Supports between 200,000 and 1,000,000 lbs
- Can be installed in any weather
- Zero vibration installation
- Low noise installation
- Available in 4" to 48" diameters



NEW CONSTRUCTION BRACKET

- Can be installed right on top of the Cross-Lock coupler
- No concrete needed
- No welding
- Simple installation

5.2 WIND ENERGY

System: New Construction System

Patented solutions for new construction.



Load Capacity Rating Helical pile

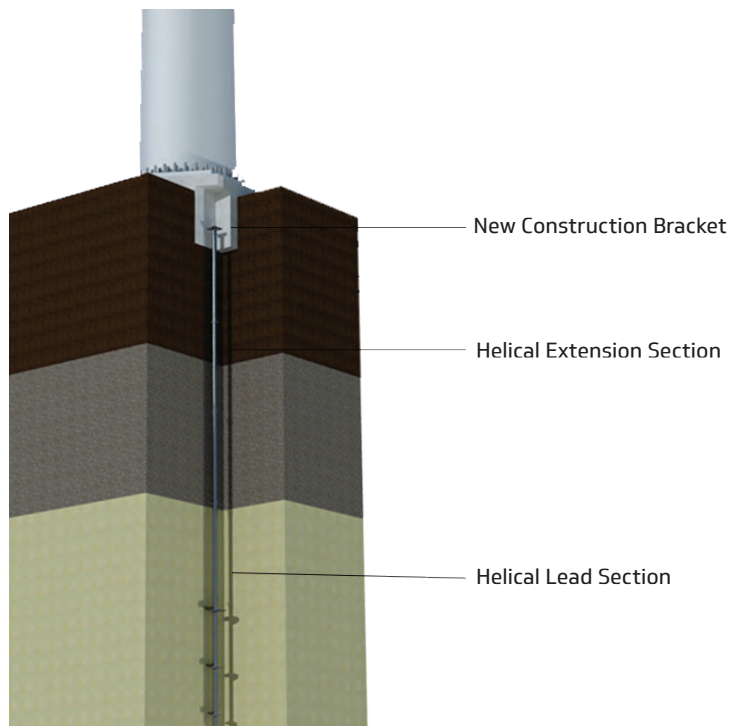
Estimated allowable capacity of 50,000 lbs.
Can be designed for up to 100,000 lbs.

Features / Benefits

- Can save you up to 50% in labor costs
- Speed up the construction schedule
- Low noise and vibration free
- All-weather installation
- Low investment to equip excavators or backhoes
- Installs faster than most other deep foundation methods
- Helicals from 2-7/8" to 48" diameters

Installation Instructions

- 1** Excavate the area where the foundation is to be installed.
- 2** Excavate each pier location if needed, but is not necessary.
- 3** Install helical lead section next to the foundation and add extension until required torque and/or depth is achieved.
- 4** Place new construction brackets on top of the helical extension and secure with nuts and bolts.



Consumable Materials

Product	Product Description	Application Description
Helical Lead Section	Pipe section with one or more welded helical bearing plates	Typical lead section 2-7/8" OD, 5' to 7' long pipe, with a single Helix and Cross-Lock coupling.
Helical Extension Sections	Pipe section with Cross-Lock Couplings welded to each side	Typically requires 1 to 2 - 2-7/8" 5' or 7' long Extensions for an overall length of 14' to 21' depth. Attaches to lead section with Cross-Lock Connection .
New Construction Bracket	Steel Plate welded to a Cross-Lock Coupling or Coupling for the Hercules Pile System	Typical 6" x 6" x 1/2" plate sits on top of the helical extension section.
Helical Equipment Package	Hydraulic rotary motor and gearbox attached to a power source used to install the pile into the ground	The helical equipment package will normally be mounted to a skid steer or excavator, and the standard installation drive heads will range from 6,000 ft-lbs to 16,000 ft-lbs. A digital or analog torque monitor will be used to calculate the pile's capacity.

TELECOM

CELL TOWERS

Helical Piers are a product that are suited for the telecom industry. They make a strong permanent foundation solution for all telecom applications. Helicals can be installed in minutes and can also be removed easily if the foundation is no longer required, leaving little disturbance or environmental impact.

Why use PierTech's patented system?

- Our helical piers have been tested and refined in the tough training grounds of new and existing construction.
- Using the PierTech system allows for quick and easy installation, and it can save you up to 50% on labor costs.
- The PierTech system allows for easy installation of helical piers being used for equipment foundations in the telecom industry.

FEATURED PATENTED PRODUCTS



CROSS-LOCK™ CONNECTION

- Patented connection saving up to 50% in labor costs
- Torque is fully contained in the coupling
- Zero bolt hole elongation during installation
- Complete steel on steel connection
- Superior strength and lateral stability
- Reduces installation times up to 50%



HERCULES PILE™

- Supports between 200,000 and 1,000,000 lbs
- Can be installed in any weather
- Zero vibration installation
- Low noise installation
- Available in 4" to 48" diameters



NEW CONSTRUCTION BRACKET

- Can be installed right on top of the Cross-Lock coupler
- No concrete needed
- No welding
- Simple installation



6.1 CELL TOWERS

System: New Construction System

Patented solutions for new construction.



Load Capacity Rating

Helical pile

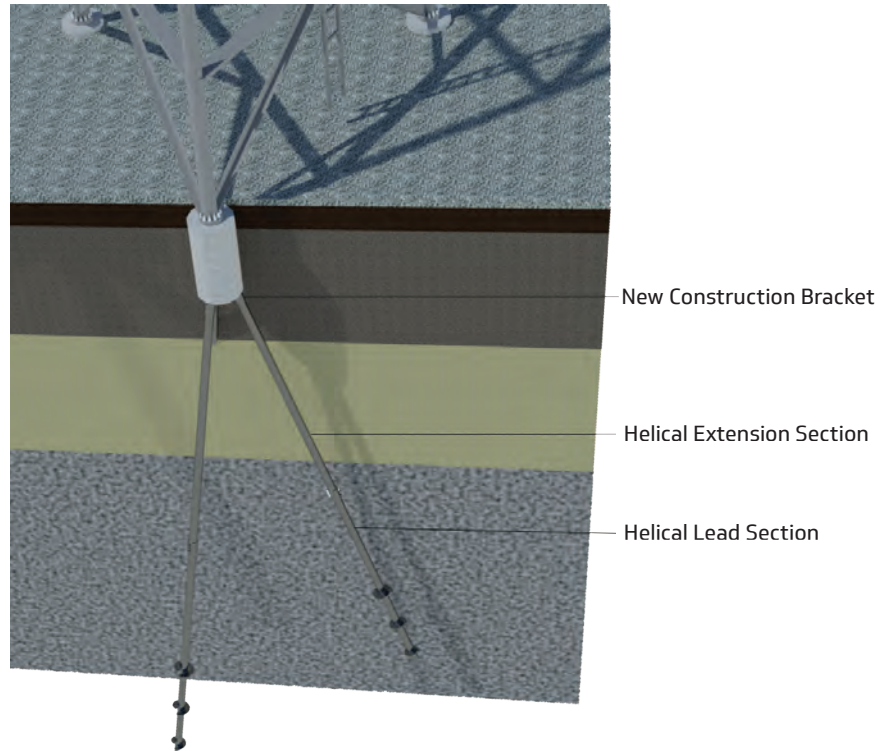
Estimated allowable capacity of 50,000 lbs.
Can be designed for up to 100,000 lbs.

Features / Benefits

- Can save you up to 50% in labor costs
- Speed up the construction schedule
- Low noise and vibration free
- All-weather installation
- Low investment to equip excavators or backhoes
- Installs faster than most other deep foundation methods
- Helicals from 2-7/8" to 48" diameters

Installation Instructions

- 1 Excavate the area where the foundation is to be installed.
- 2 Excavate each pier location if needed, but is not necessary.
- 3 Install helical lead section next to the foundation and add extension until required torque and/or depth is achieved.
- 4 Place new construction brackets on top of the helical extension and secure with nuts and bolts.



Consumable Materials

Product	Product Description	Application Description
Helical Lead Section	Pipe section with one or more welded helical bearing plates	Typical lead section 2-7/8" OD, 5' to 7' long pipe, with a single Helix and Cross-Lock coupling.
Helical Extension Sections	Pipe section with Cross-Lock Couplings welded to each side	Typically requires 1 to 2 - 2-7/8" 5' or 7' long Extensions for an overall length of 14' to 21' depth. Attaches to lead section with Cross-Lock Connection .
New Construction Bracket	Steel Plate welded to a Cross-Lock Coupling or Coupling for the Hercules Pile System	Typical 6" x 6" x 1/2" plate sits on top of the helical extension section.
Helical Equipment Package	Hydraulic rotary motor and gearbox attached to a power source used to install the pile into the ground	The helical equipment package will normally be mounted to a skid steer or excavator, and the standard installation drive heads will range from 6,000 ft-lbs to 16,000 ft-lbs. A digital or analog torque monitor will be used to calculate the pile's capacity.

CELL TOWER SITE EQUIPMENT FOUNDATIONS



Helical Piers are a product that are suited for the telecom industry. They make a strong permanent solution in tight access areas, remote locations, and other hard to reach spaces. Helicals can be installed in minutes and can also be removed easily if the foundation is no longer required, leaving little disturbance or environmental impact.

Why use PierTech's patented system?

- Our helical piers have been tested and refined in the tough training grounds of new and existing construction.
- Using the PierTech system allows for quick and easy installation, and it can save you up to 50% on labor costs.
- The PierTech system allows for easy installation of helical piers being used for equipment foundations in the telecom industry.

FEATURED PATENTED PRODUCTS



CROSS-LOCK™ CONNECTION

- Patented connection saving up to 50% in labor costs
- Torque is fully contained in the coupling
- Zero bolt hole elongation during installation
- Complete steel on steel connection
- Superior strength and lateral stability
- Reduces installation times up to 50%



HERCULES PILE™

- Supports between 200,000 and 1,000,000 lbs
- Can be installed in any weather
- Zero vibration installation
- Low noise installation
- Available in 4" to 48" diameters



NEW CONSTRUCTION BRACKET

- Can be installed right on top of the Cross-Lock coupler
- No concrete needed
- No welding
- Simple installation

6.2 CELL TOWER SITE EQUIPMENT FOUNDATIONS

System: New Construction System

Patented solutions for new construction.



Load Capacity Rating Helical pile

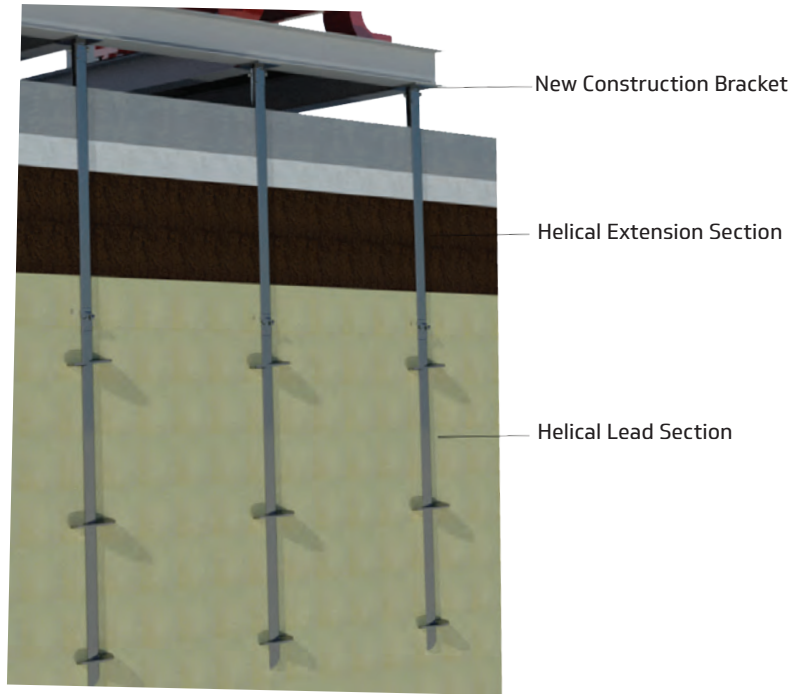
Estimated allowable capacity of 50,000 lbs.
Can be designed for up to 100,000 lbs.

Features / Benefits

- Can save you up to 50% in labor costs
- Speed up the construction schedule
- Low noise and vibration free
- All-weather installation
- Low investment to equip excavators or backhoes
- Installs faster than most other deep foundation methods
- Helicals from 2-7/8" to 48" diameters

Installation Instructions

- 1 Excavate the area where the foundation is to be installed.
- 2 Excavate each pier location if needed, but is not necessary.
- 3 Install helical lead section next to the foundation and add extension until required torque and/or depth is achieved.
- 4 Place new construction brackets on top of the helical extension and secure with nuts and bolts.



Consumable Materials

Product	Product Description	Application Description
Helical Lead Section	Pipe section with one or more welded helical bearing plates	Typical lead section 2-7/8" OD, 5' to 7' long pipe, with a single Helix and Cross-Lock coupling.
Helical Extension Sections	Pipe section with Cross-Lock Couplings welded to each side	Typically requires 1 to 2 - 2-7/8" 5' or 7' long Extensions for an overall length of 14' to 21' depth. Attaches to lead section with Cross-Lock Connection .
New Construction Bracket	Steel Plate welded to a Cross-Lock Coupling or Coupling for the Hercules Pile System	Typical 6" x 6" x 1/2" plate sits on top of the helical extension section.
Helical Equipment Package	Hydraulic rotary motor and gearbox attached to a power source used to install the pile into the ground	The helical equipment package will normally be mounted to a skid steer or excavator, and the standard installation drive heads will range from 6,000 ft-lbs to 16,000 ft-lbs. A digital or analog torque monitor will be used to calculate the pile's capacity.

AMUSEMENT

ATHLETIC FIELD



Helical piles are a permanent foundation solution, and they ensure a strong and fast foundation for the amusement industry. The patented PierTech system and the new construction bracket allow for quick and easy installation. Without the need for concrete, there are no delays due to weather or wait times for curing.

Why use PierTech's patented system?

- Our helical piers have been tested and refined in the tough training grounds of amusement construction.
- Using the PierTech system allows for a quick and easy installation, and it can save you up to 50% on labor costs.
- The PierTech system allows for easy installation for construction in the amusement market.

FEATURED PATENTED PRODUCTS



CROSS-LOCK™ CONNECTION

- Patented connection saving up to 50% in labor costs
- Torque is fully contained in the coupling
- Zero bolt hole elongation during installation
- Complete steel on steel connection
- Superior strength and lateral stability
- Reduces installation times up to 50%



HERCULES PILE™

- Supports between 200,000 and 1,000,000 lbs
- Can be installed in any weather
- Zero vibration installation
- Low noise installation
- Available in 4" to 48" diameters



NEW CONSTRUCTION BRACKET

- Can be installed right on top of the Cross-Lock coupler
- No concrete needed
- No welding
- Simple installation

7.1 ATHLETIC FIELD

System: New Construction System

Patented solutions for new construction.



Load Capacity Rating

Helical pile

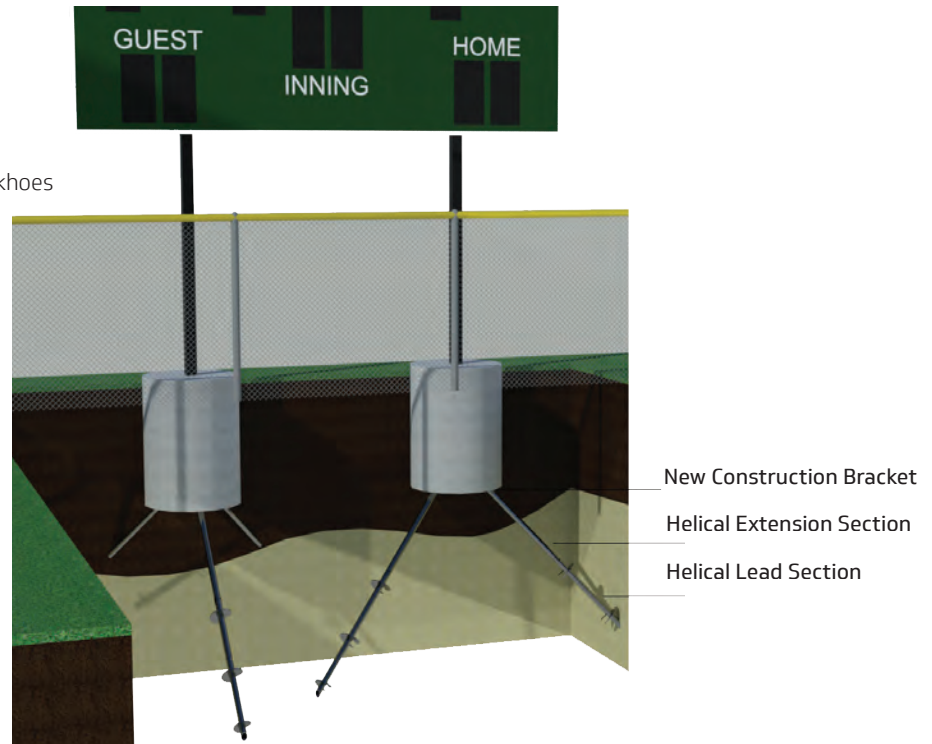
Estimated allowable capacity of 50,000 lbs.
Can be designed for up to 100,000 lbs.

Features / Benefits

- Can save you up to 50% in labor costs
- Speed up the construction schedule
- Low noise and vibration free
- All-weather installation
- Low investment to equip excavators or backhoes
- Installs faster than most other deep foundation methods
- Helicals from 2-7/8" to 48" diameters

Installation Instructions

- 1** Excavate the area where the foundation is to be installed.
- 2** Excavate each pier location if needed, but is not necessary.
- 3** Install helical lead section next to the foundation and add extension until required torque and/or depth is achieved.
- 4** Place new construction brackets on top of the helical extension and secure with nuts and bolts.



Consumable Materials

Product	Product Description	Application Description
Helical Lead Section	Pipe section with one or more welded helical bearing plates	Typical lead section 2-7/8" OD, 5' to 7' long pipe, with a single Helix and Cross-Lock coupling.
Helical Extension Sections	Pipe section with Cross-Lock Couplings welded to each side	Typically requires 1 to 2 - 2-7/8" 5' or 7' long Extensions for an overall length of 14' to 21' depth. Attaches to lead section with Cross-Lock Connection .
New Construction Bracket	Steel Plate welded to a Cross-Lock Coupling or Coupling for the Hercules Pile System	Typical 6" x 6" x 1/2" plate sits on top of the helical extension section.
Helical Equipment Package	Hydraulic rotary motor and gearbox attached to a power source used to install the pile into the ground	The helical equipment package will normally be mounted to a skid steer or excavator, and the standard installation drive heads will range from 6,000 ft-lbs to 16,000 ft-lbs. A digital or analog torque monitor will be used to calculate the pile's capacity.

CIRCUS

The Insta-Brace System by PierTech helps to speed up tilt-up construction, allowing for a quick and easy installation for a reusable structure. The PierTech system provides contractors an economical and efficient foundation solution for reusable structures.

Why use PierTech's patented system?

- Our anchors have been tested and refined in the tough training grounds of the amusement market.
- Using the PierTech system allows for a quick and easy installation
- The PierTech system allows for easy installation for a circus tent or other reusable structure in the amusement industry.

FEATURED PATENTED PRODUCTS



SQUARE SHAFT ANCHOR

- Fast installation
- High-strength steel
- Can be installed in all weather conditions
- Site verified loading
- Removable and reusable



INSTA-BRACE BRACKET

- Easy installation
- Quick installation
- No curing times
- Removable and reusable



7.2 CIRCUS

System: Helical Tension System

PierTech helical solution for tension applications.



Load Capacity Rating

Helical pile

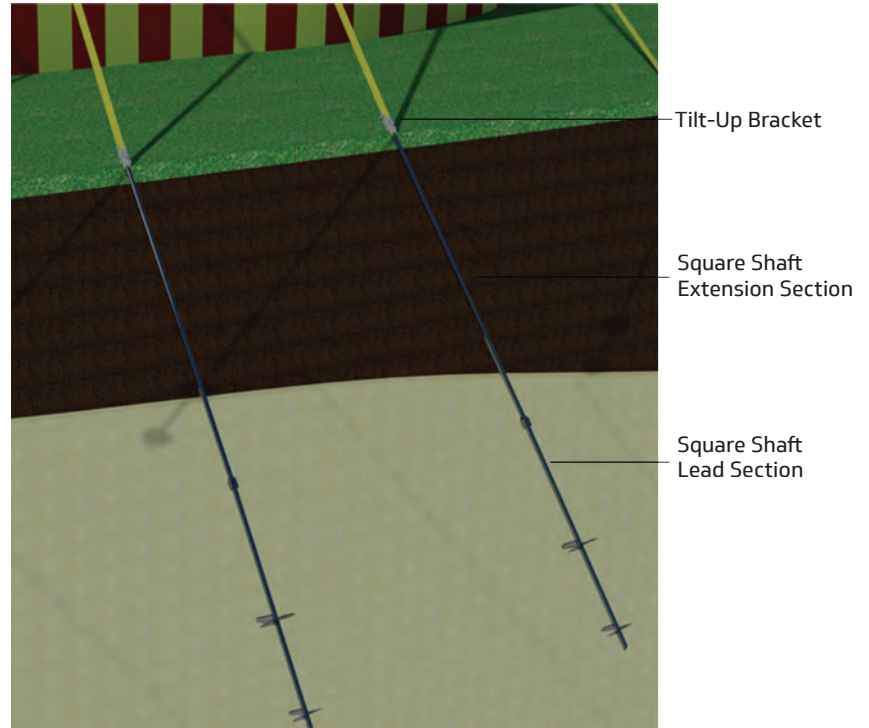
Estimated allowable capacity of 50,000 lbs.
Can be designed for up to 100,000 lbs.

Features / Benefits

- Quick installation and loading capability
- Minimal soil disturbance
- Removable and reusable for future projects
- All-weather installation
- Site verified loading
- Can be used on inside or outside of wall

Installation Instructions

- 1** Excavate the area, if needed, prior to installation.
- 2** Excavate each pier location if needed, but is not necessary.
- 3** Install anchors to the torque requirement, maintaining continuous downward pressure during installation.
- 4** Attach tilt up brackets and proceed with raising concrete walls into position..



Consumable Materials

Product	Product Description	Application Description
Square Shaft Helical Anchor	Square bar with one or more welded helical bearing plates	Typical square shaft anchor section 1-1/2" square bar in 5' or 7' long square bar, with a double or triple Helix.
Insta-Brace Bracket	High-strength steel bracket that attaches to the square shaft helical anchor	Steel bracket attaches to the top of the 1-1/2" square shaft helical anchor using the required nuts and bolts which attach it to the connector.
Anchor equipment package	Hydraulic rotary motor and gearbox attached to a power source used to install the pile into the ground	The helical equipment package will normally be mounted to a skid steer or excavator, and the standard installation drive heads will range from 6,000 ft-lbs to 360,000 ft-lbs. A digital or analog torque monitor will be used to calculate the pile's capacity.

GOLF

Helical piles are a permanent foundation solution, and they ensure a strong and fast foundation for the amusement industry. The patented PierTech system and the new construction bracket allow for quick and easy installation. Without the need for concrete, there are no delays due to weather or wait times for curing.

Why use PierTech's patented system?

- Our helical piers have been tested and refined in the tough training grounds of amusement construction.
- Using the PierTech system allows for a quick and easy installation, and it can save you up to 50% on labor costs.
- The PierTech system allows for easy installation for construction in the amusement market.

FEATURED PATENTED PRODUCTS



CROSS-LOCK™ CONNECTION

- Patented connection saving up to 50% in labor costs
- Torque is fully contained in the coupling
- Zero bolt hole elongation during installation
- Complete steel on steel connection
- Superior strength and lateral stability
- Reduces installation times up to 50%



HERCULES PILE™

- Supports between 200,000 and 1,000,000 lbs
- Can be installed in any weather
- Zero vibration installation
- Low noise installation
- Available in 4" to 48" diameters



NEW CONSTRUCTION BRACKET

- Can be installed right on top of the Cross-Lock coupler
- No concrete needed
- No welding
- Simple installation

7.3 GOLF

System: New Construction System

Patented solutions for new construction.



Load Capacity Rating
Helical pile

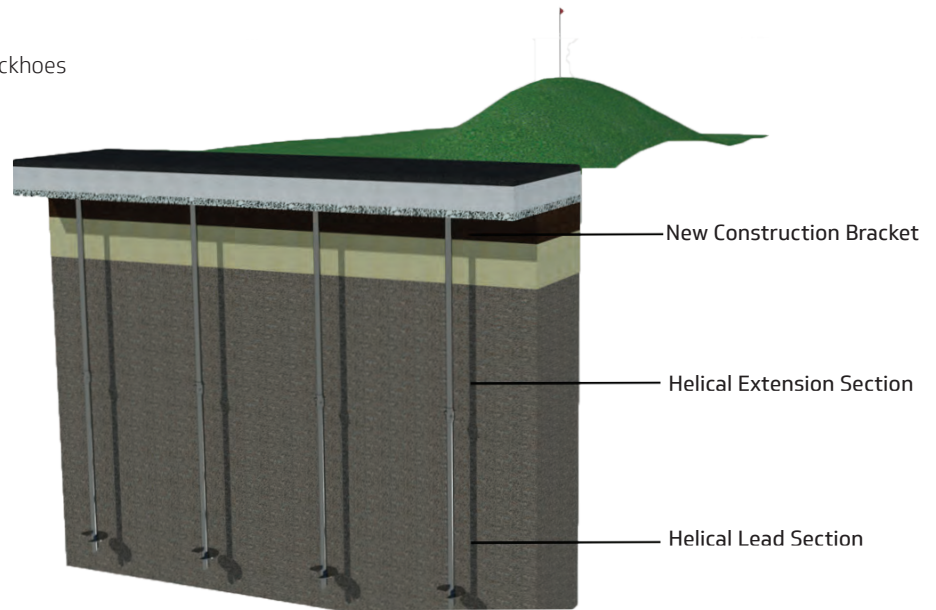
Estimated allowable capacity of 50,000 lbs.
Can be designed for up to 100,000 lbs.

Features / Benefits

- Can save you up to 50% in labor costs
- Speed up the construction schedule
- Low noise and vibration free
- All-weather installation
- Low investment to equip excavators or backhoes
- Installs faster than most other deep foundation methods
- Helicals from 2-7/8" to 48" diameters

Installation Instructions

- 1** Excavate the area where the foundation is to be installed.
- 2** Excavate each pier location if needed, but is not necessary.
- 3** Install helical lead section next to the foundation and add extension until required torque and/or depth is achieved.
- 4** Place new construction brackets on top of the helical extension and secure with nuts and bolts.



Consumable Materials

Product	Product Description	Application Description
Helical Lead Section	Pipe section with one or more welded helical bearing plates	Typical lead section 2-7/8" OD, 5' to 7' long pipe, with a single Helix and Cross-Lock coupling.
Helical Extension Sections	Pipe section with Cross-Lock Couplings welded to each side	Typically requires 1 to 2 - 2-7/8" 5' or 7' long Extensions for an overall length of 14' to 21' depth. Attaches to lead section with Cross-Lock Connection .
New Construction Bracket	Steel Plate welded to a Cross-Lock Coupling or Coupling for the Hercules Pile System	Typical 6" x 6" x 1/2" plate sits on top of the helical extension section.
Helical Equipment Package	Hydraulic rotary motor and gearbox attached to a power source used to install the pile into the ground	The helical equipment package will normally be mounted to a skid steer or excavator, and the standard installation drive heads will range from 6,000 ft-lbs to 16,000 ft-lbs. A digital or analog torque monitor will be used to calculate the pile's capacity.

STADIUM

Helical piles are a permanent foundation solution, and they ensure a strong and fast foundation for the amusement industry. The patented PierTech system and the new construction bracket allow for quick and easy installation. Without the need for concrete, there are no delays due to weather or wait times for curing.

Why use PierTech's patented system?

- Our helical piers have been tested and refined in the tough training grounds of amusement construction.
- Using the PierTech system allows for a quick and easy installation, and it can save you up to 50% on labor costs.
- The PierTech system allows for easy installation for construction in the amusement market.

FEATURED PATENTED PRODUCTS



CROSS-LOCK™ CONNECTION

- Patented connection saving up to 50% in labor costs
- Torque is fully contained in the coupling
- Zero bolt hole elongation during installation
- Complete steel on steel connection
- Superior strength and lateral stability
- Reduces installation times up to 50%



HERCULES PILE™

- Supports between 200,000 and 1,000,000 lbs
- Can be installed in any weather
- Zero vibration installation
- Low noise installation
- Available in 4" to 48" diameters



NEW CONSTRUCTION BRACKET

- Can be installed right on top of the Cross-Lock coupler
- No concrete needed
- No welding
- Simple installation

7.4 STADIUM

System: New Construction System

Patented solutions for new construction.



Load Capacity Rating
Helical pile

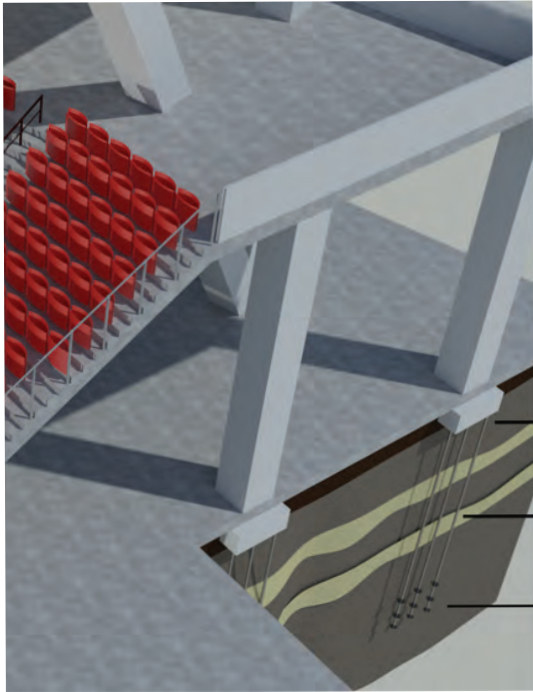
Estimated allowable capacity of 50,000 lbs.
Can be designed for up to 100,000 lbs.

Features / Benefits

- Can save you up to 50% in labor costs
- Speed up the construction schedule
- Low noise and vibration free
- All-weather installation
- Low investment to equip excavators or backhoes
- Installs faster than most other deep foundation methods
- Helicals from 2-7/8" to 48" diameters

Installation Instructions

- 1 Excavate the area where the foundation is to be installed.
- 2 Excavate each pier location if needed, but is not necessary.
- 3 Install helical lead section next to the foundation and add extension until required torque and/or depth is achieved.
- 4 Place new construction brackets on top of the helical extension and secure with nuts and bolts.



Consumable Materials

Product	Product Description	Application Description
Helical Lead Section	Pipe section with one or more welded helical bearing plates	Typical lead section 2-7/8" OD, 5' to 7' long pipe, with a single Helix and Cross-Lock coupling.
Helical Extension Sections	Pipe section with Cross-Lock Couplings welded to each side	Typically requires 1 to 2 - 2-7/8" 5' or 7' long Extensions for an overall length of 14' to 21' depth. Attaches to lead section with Cross-Lock Connection .
New Construction Bracket	Steel Plate welded to a Cross-Lock Coupling or Coupling for the Hercules Pile System	Typical 6" x 6" x 1/2" plate sits on top of the helical extension section.
Helical Equipment Package	Hydraulic rotary motor and gearbox attached to a power source used to install the pile into the ground	The helical equipment package will normally be mounted to a skid steer or excavator, and the standard installation drive heads will range from 6,000 ft-lbs to 16,000 ft-lbs. A digital or analog torque monitor will be used to calculate the pile's capacity.

ZOO



Helical piles are a permanent foundation solution, and they ensure a strong and fast foundation for the amusement industry. The patented PierTech system and the new construction bracket allow for quick and easy installation. Without the need for concrete, there are no delays due to weather or wait times for curing.

Why use PierTech's patented system?

- Our helical piers have been tested and refined in the tough training grounds of amusement construction.
- Using the PierTech system allows for a quick and easy installation, and it can save you up to 50% on labor costs.
- The PierTech system allows for easy installation for construction in the amusement market.

FEATURED PATENTED PRODUCTS



CROSS-LOCK™ CONNECTION

- Patented connection saving up to 50% in labor costs
- Torque is fully contained in the coupling
- Zero bolt hole elongation during installation
- Complete steel on steel connection
- Superior strength and lateral stability
- Reduces installation times up to 50%



HERCULES PILE™

- Supports between 200,000 and 1,000,000 lbs
- Can be installed in any weather
- Zero vibration installation
- Low noise installation
- Available in 4" to 48" diameters



NEW CONSTRUCTION BRACKET

- Can be installed right on top of the Cross-Lock coupler
- No concrete needed
- No welding
- Simple installation

7.5 ZOO

System: New Construction System

Patented solutions for new construction.



Load Capacity Rating
Helical pile

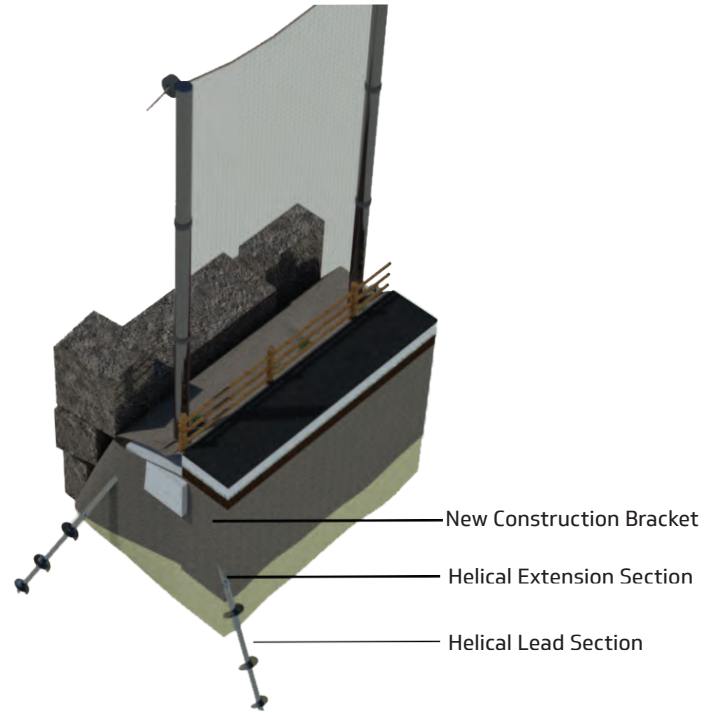
Estimated allowable capacity of 50,000 lbs.
Can be designed for up to 100,000 lbs.

Features / Benefits

- Can save you up to 50% in labor costs
- Speed up the construction schedule
- Low noise and vibration free
- All-weather installation
- Low investment to equip excavators or backhoes
- Installs faster than most other deep foundation methods
- Helicals from 2-7/8" to 48" diameters

Installation Instructions

- 1** Excavate the area where the foundation is to be installed.
- 2** Excavate each pier location if needed, but is not necessary.
- 3** Install helical lead section next to the foundation and add extension until required torque and/or depth is achieved.
- 4** Place new construction brackets on top of the helical extension and secure with nuts and bolts.



Consumable Materials

Product	Product Description	Application Description
Helical Lead Section	Pipe section with one or more welded helical bearing plates	Typical lead section 2-7/8" OD, 5' to 7' long pipe, with a single Helix and Cross-Lock coupling.
Helical Extension Sections	Pipe section with Cross-Lock Couplings welded to each side	Typically requires 1 to 2 - 2-7/8" 5' or 7' long Extensions for an overall length of 14' to 21' depth. Attaches to lead section with Cross-Lock Connection .
New Construction Bracket	Steel Plate welded to a Cross-Lock Coupling or Coupling for the Hercules Pile System	Typical 6" x 6" x 1/2" plate sits on top of the helical extension section.
Helical Equipment Package	Hydraulic rotary motor and gearbox attached to a power source used to install the pile into the ground	The helical equipment package will normally be mounted to a skid steer or excavator, and the standard installation drive heads will range from 6,000 ft-lbs to 16,000 ft-lbs. A digital or analog torque monitor will be used to calculate the pile's capacity.

ELECTRIC UTILITY

GUY WIRE



Thread Rod Square Shaft System provided by PierTech helps to speed up construction, allowing for a quick and easy installation for a electric utility structures. The system is a permanent foundation solution that will last a lifetime.

Why use PierTech's patented system?

- Our anchors have been tested and refined in the tough training grounds of the electric utility market.
- Using the PierTech system allows for a quick and easy installation
- The PierTech system allows for easy installation of guy wire foundations and structures.

FEATURED PATENTED PRODUCTS



SQUARE SHAFT ANCHOR

- Fast installation
- High-strength steel
- Can be installed in all weather conditions
- Site verified loading
- Removable and reusable



THREAD ROD ADAPTER

- Easy installation
- Quick installation
- No curing times
- Removable and reusable



8.1 GUY WIRE

System: Helical Tension System

PierTech helical solution for tension applications.



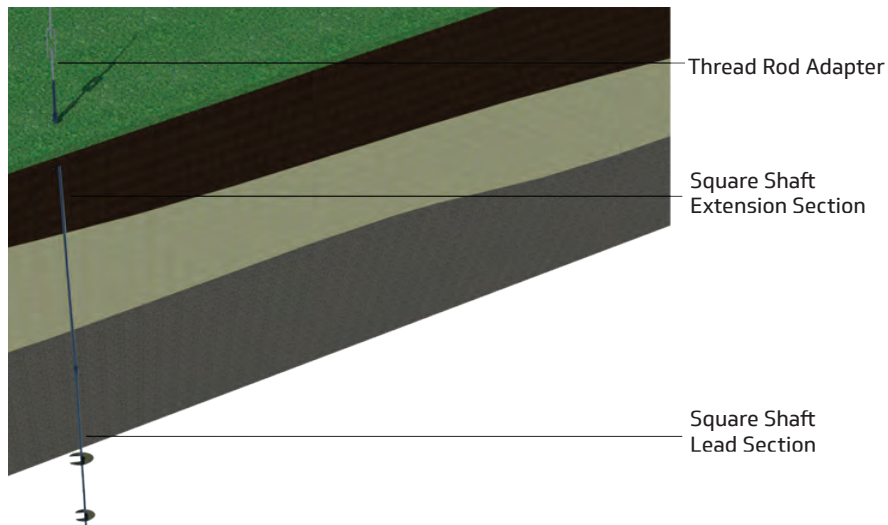
Load Capacity Rating

Helical pile

Estimated allowable capacity of 50,000 lbs.
Can be designed for up to 100,000 lbs.

Features / Benefits

- Quick installation and loading capability
- Minimal soil disturbance
- Removable and re-usable for future projects
- All-weather installation
- Site verified loading
- Can be used on inside or outside of wall
- Square Shaft Helicals from 1-1/2" and 1-3/4"



Installation Instructions

- 1** Excavate the area if needed prior to installation.
- 2** Excavate each pier location if required, but is not necessary.
- 3** Install anchors to the torque requirement, maintaining continuous downward pressure during installation.
- 4** Attach the Thread rod adapter and proceed with installation.

Consumable Materials

Product	Product Description	Application Description
Square Shaft Helical Anchor	Square bar with one or more welded helical bearing plates.	Typical square shaft anchor section 1-1/2" square bar but also come in 1-3/4" in 5ft or 7ft long square bar, with a double or triple helix.
Thread Rod Adapter	High-strength steel bracket that attaches to the square shaft helical anchor	Steel bracket attaches to the top of the 1-1/2" or 1-3/4" square shaft helical anchor using the threaded rod and required nuts and bolts which attach it to the connector.
Anchor Equipment Package	Hydraulic rotary motor and gearbox attached to a power source used to install the pile into the ground.	The helical equipment package will normally be mounted to a skid steer or excavator, and the standard installation drive heads will range from 6,000 ft-lbs to 360,000 ft-lbs. A digital or analog torque monitor will be used to calculate the pile's capacity.

EQUIPMENT FOUNDATIONS



Helical Piles are a product that works great for electric utility applications. They are a permanent and stable solution for the foundation of any electric utility project. Helicals can be installed in minutes and can also be removed easily if the foundation is no longer required, leaving little disturbance or environmental impact.

Why use PierTech's patented system?

- Our helical piers have been tested and refined in the tough training grounds of many applications of electric utility.
- Using the PierTech system allows for quick and easy installation, and it can save you up to 50% on labor costs.
- The PierTech system allows for easy installation of helical piers being used for equipment foundations in the electric utility industry.

FEATURED PATENTED PRODUCTS



CROSS-LOCK™ CONNECTION

- Patented connection saving up to 50% in labor costs
- Torque is fully contained in the coupling
- Zero bolt hole elongation during installation
- Complete steel on steel connection
- Superior strength and lateral stability
- Reduces installation times up to 50%



HERCULES PILE™

- Supports between 200,000 and 1,000,000 lbs
- Can be installed in any weather
- Zero vibration installation
- Low noise installation
- Available in 4" to 48" diameters



NEW CONSTRUCTION BRACKET

- Can be installed right on top of the Cross-Lock coupler
- No concrete needed
- No welding
- Simple installation

8.2 EQUIPMENT FOUNDATIONS

System: New Construction System

Patented solutions for new construction.



Load Capacity Rating Helical pile

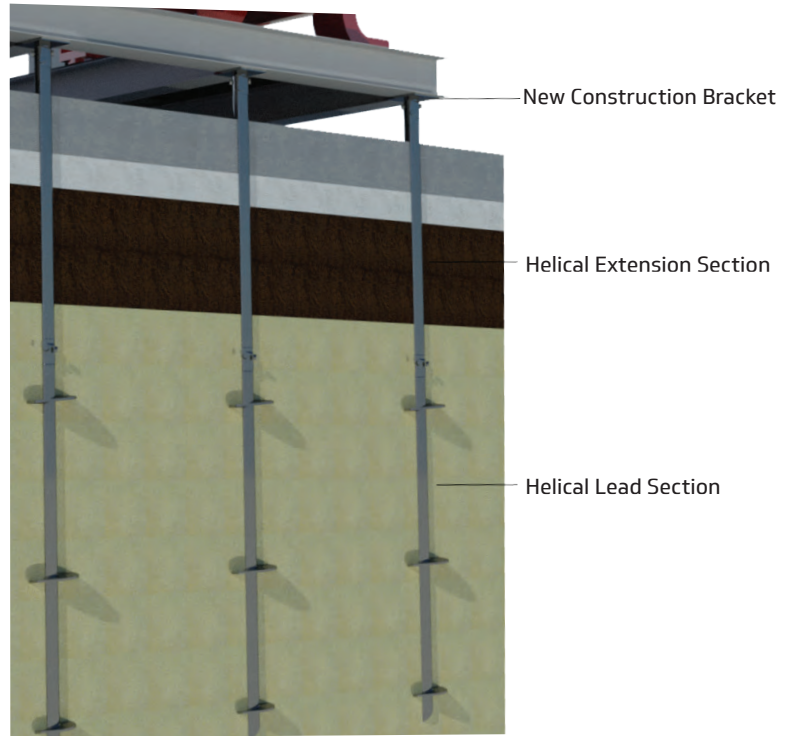
Estimated allowable capacity of 50,000 lbs.
Can be designed for up to 100,000 lbs.

Features / Benefits

- Can save you up to 50% in labor costs
- Speed up the construction schedule
- Low noise and vibration free
- All-weather installation
- Low investment to equip excavators or backhoes
- Installs faster than most other deep foundation methods
- Helicals from 2-7/8" to 48" diameters

Installation Instructions

- 1 Excavate the area where the helicals are to be installed.
- 2 Install helical lead section next to the foundation and add extension until required torque and/or depth is achieved.
- 3 Bracket is placed on top of helical and threaded into place, adjusted to the required height.
- 4 Structure is bolted or welded to the bracket in the field.



Consumable Materials

Product	Product Description	Application Description
Helical Lead Section	Pipe section with one or more welded helical bearing plates	Typical lead section 2-7/8" OD, 5' to 7' long pipe, with a single Helix and Cross-Lock coupling.
Helical Extension Sections	Pipe section with Cross-Lock Couplings welded to each side	Typically requires 1 to 2 - 2-7/8" 5' or 7' long Extensions for an overall length of 14' to 21' depth. Attaches to lead section with Cross-Lock Connection .
Adjustable Oil and Gas Bracket	Round Plate, threaded to create ability to adjust vertically up to 3 inches	Typical Bracket is a 12" diameter plate that can be welded or bolted to the structure in the field and adjusted vertically up to 3".
New Construction Bracket	Steel Plate welded to a Cross-Lock Coupling or Coupling for the Hercules Pile System	Typical 6" x 6" x 1/2" plate sits on top of the helical extension section.
Helical Equipment Package	Hydraulic rotary motor and gearbox attached to a power source used to install the pile into the ground	The helical equipment package will normally be mounted to a skid steer or excavator, and the standard installation drive heads will range from 6,000 ft-lbs to 16,000 ft-lbs. A digital or analog torque monitor will be used to calculate the pile's capacity.

GOVERNMENT

AIRPORT

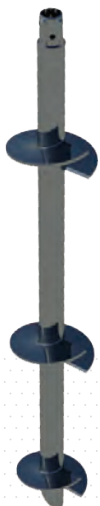


Helical piles are a permanent foundation solution, and they ensure a strong and fast foundation for use on a variety of government projects. They are a patented, trusted, permanent solution in this industry. The patented PierTech system and the new construction bracket allow for quick and easy installation. Without the need for concrete, there are no delays due to weather or wait times for curing.

Why use PierTech's patented system?

- Our helical piers have been tested and refined in the tough training grounds of any size government construction project.
- Using the PierTech system allows for a quick and easy installation, and it can save you up to 50% on labor costs.
- The PierTech system allows for easy installation for construction in the amusement markets.

FEATURED PATENTED PRODUCTS



CROSS-LOCK™ CONNECTION

- Patented connection saving up to 50% in labor costs
- Torque is fully contained in the coupling
- Zero bolt hole elongation during installation
- Complete steel on steel connection
- Superior strength and lateral stability
- Reduces installation times up to 50%



HERCULES PILE™

- Supports between 200,000 and 1,000,000 lbs
- Can be installed in any weather
- Zero vibration installation
- Low noise installation
- Available in 4" to 48" diameters



NEW CONSTRUCTION BRACKET

- Can be installed right on top of the Cross-Lock coupler
- No concrete needed
- No welding
- Simple installation

9.1 AIRPORT

System: New Construction System

Patented solutions for new construction.



Load Capacity Rating

Helical pile

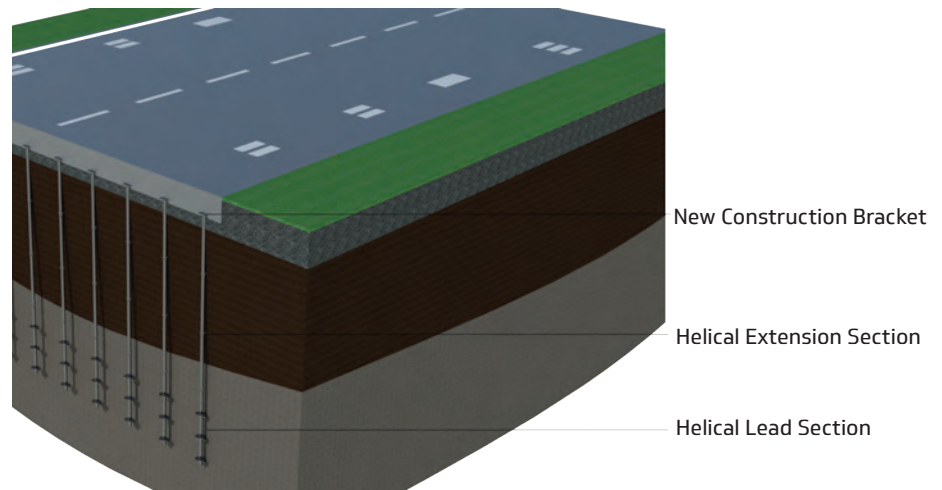
Estimated allowable capacity of 50,000 lbs.
Can be designed for up to 100,000 lbs.

Features / Benefits

- Can save you up to 50% in labor costs
- Speed up the construction schedule
- Low noise and vibration free
- All-weather installation
- Low investment to equip excavators or backhoes
- Installs faster than most other deep foundation methods
- Helicals from 2-7/8" to 48" diameters

Installation Instructions

- 1 Excavate the area where the foundation is to be installed.
- 2 Excavate each pier location if required, but is not necessary.
- 3 Install helical lead section next to the foundation, and add extension until required torque and/or depth is achieved.
- 4 Place new construction brackets on top of the helical extension and secure with nuts and bolts.



Consumable Materials

Product	Product Description	Application Description
Helical Lead Section	Pipe section with one or more welded helical bearing plates	Typical lead section 2-7/8" OD, 5' to 7' long pipe, with a single Helix and Cross-Lock coupling.
Helical Extension Sections	Pipe section with Cross-Lock Couplings welded to each side	Typically requires 1 to 2 - 2-7/8" 5' or 7' long Extensions for an overall length of 14' to 21' depth. Attaches to lead section with Cross-Lock Connection .
New Construction Bracket	Steel Plate welded to a Cross-Lock Coupling or Coupling for the Hercules Pile System	Typical 6" x 6" x 1/2" plate sits on top of the helical extension section.
Helical Equipment Package	Hydraulic rotary motor and gearbox attached to a power source used to install the pile into the ground	The helical equipment package will normally be mounted to a skid steer or excavator, and the standard installation drive heads will range from 6,000 ft-lbs to 16,000 ft-lbs. A digital or analog torque monitor will be used to calculate the pile's capacity.

BRIDGE ABUTMENT



Helical piles are a permanent foundation solution, and they ensure a strong and fast foundation for use on a variety of government projects. They are a patented, trusted, permanent solution in this industry. The patented PierTech system and the new construction bracket allow for quick and easy installation. Without the need for concrete, there are no delays due to weather or wait times for curing.

Why use PierTech's patented system?

- Our helical piles have been tested and refined in the tough training grounds of any size government construction project.
- Using the PierTech system allows for a quick and easy installation, and it can save you up to 50% on labor costs.
- The PierTech system allows for easy installation for construction in the government market.

FEATURED PATENTED PRODUCTS



CROSS-LOCK™ CONNECTION

- Patented connection saving up to 50% in labor costs
- Torque is fully contained in the coupling
- Zero bolt hole elongation during installation
- Complete steel on steel connection
- Superior strength and lateral stability
- Reduces installation times up to 50%



HERCULES PILE™

- Supports between 200,000 and 1,000,000 lbs
- Can be installed in any weather
- Zero vibration installation
- Low noise installation
- Available in 4" to 48" diameters



NEW CONSTRUCTION BRACKET

- Can be installed right on top of the Cross-Lock coupler
- No concrete needed
- No welding
- Simple installation

9.2 BRIDGE ABUTMENT

System: New Construction System

Patented solutions for new construction.

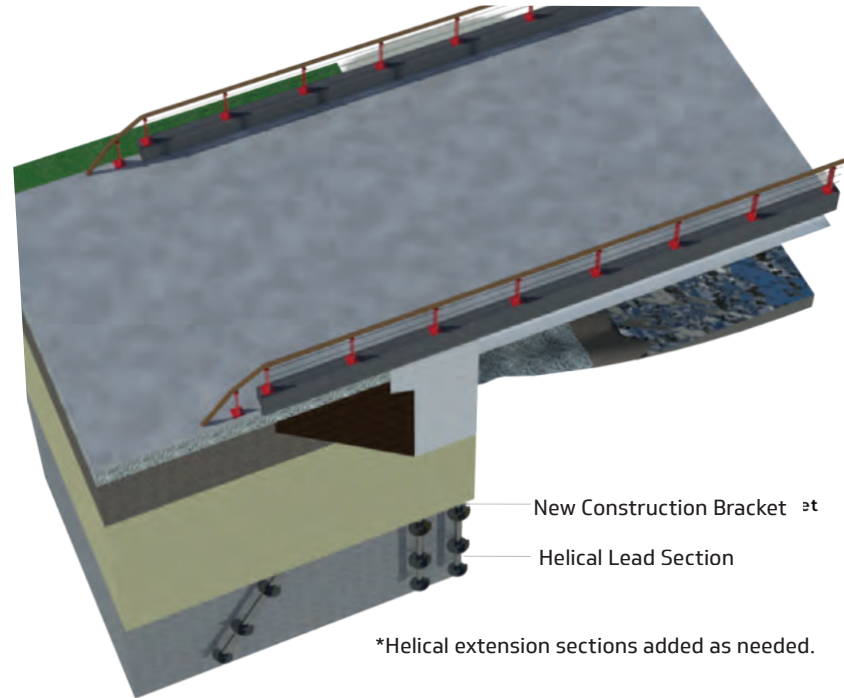


Load Capacity Rating Helical pile

Estimated allowable capacity of 50,000 lbs.
Can be designed for up to 100,000 lbs.

Features / Benefits

- Can save you up to 50% in labor costs
- Speed up the construction schedule
- Low noise and vibration free
- All-weather installation
- Low investment to equip excavators or backhoes
- Installs faster than most other deep foundation methods
- Helicals from 2-7/8" to 48" diameters



Installation Instructions

- 1 Excavate the area where the foundation is to be installed.
- 2 Excavate each pier location if needed, but is not necessary.
- 3 Install helical lead section next to the foundation, and add extension until required torque and/or depth is achieved.
- 4 Place new construction brackets on top of the helical extension and secure with nuts and bolts.

Consumable Materials

Product	Product Description	Application Description
Helical Lead Section	Pipe section with one or more welded helical bearing plates	Typical lead section 2-7/8" OD, 5' to 7' long pipe, with a single Helix and Cross-Lock coupling.
Helical Extension Sections	Pipe section with Cross-Lock Couplings welded to each side	Typically requires 1 to 2 - 2-7/8" 5' or 7' long Extensions for an overall length of 14' to 21' depth. Attaches to lead section with Cross-Lock Connection .
New Construction Bracket	Steel Plate welded to a Cross-Lock Coupling or Coupling for the Hercules Pile System	Typical 6" x 6" x 1/2" plate sits on top of the helical extension section.
Helical Equipment Package	Hydraulic rotary motor and gearbox attached to a power source used to install the pile into the ground	The helical equipment package will normally be mounted to a skid steer or excavator, and the standard installation drive heads will range from 6,000 ft-lbs to 16,000 ft-lbs. A digital or analog torque monitor will be used to calculate the pile's capacity.

HUD HOUSING



Helical piles are a permanent foundation solution, and they ensure a strong and fast foundation for use on a variety of government projects. They are a patented, trusted, permanent solution in this industry. The patented PierTech system and the new construction bracket allow for quick and easy installation. Without the need for concrete, there are no delays due to weather or wait times for curing.

Why use PierTech's patented system?

- Our helical piers have been tested and refined in the tough training grounds of any size government construction project.
- Using the PierTech system allows for a quick and easy installation, and it can save you up to 50% on labor costs.
- The PierTech system allows for easy installation for construction in the government market.

FEATURED PATENTED PRODUCTS



CROSS-LOCK™ CONNECTION

- Patented connection saving up to 50% in labor costs
- Torque is fully contained in the coupling
- Zero bolt hole elongation during installation
- Complete steel on steel connection
- Superior strength and lateral stability
- Reduces installation times up to 50%



HERCULES PILE™

- Supports between 200,000 and 1,000,000 lbs
- Can be installed in any weather
- Zero vibration installation
- Low noise installation
- Available in 4" to 48" diameters



NEW CONSTRUCTION BRACKET

- Can be installed right on top of the Cross-Lock coupler
- No concrete needed
- No welding
- Simple installation

9.3 HUD HOUSING

System: New Construction System

Patented solutions for new construction.



Load Capacity Rating Helical pile

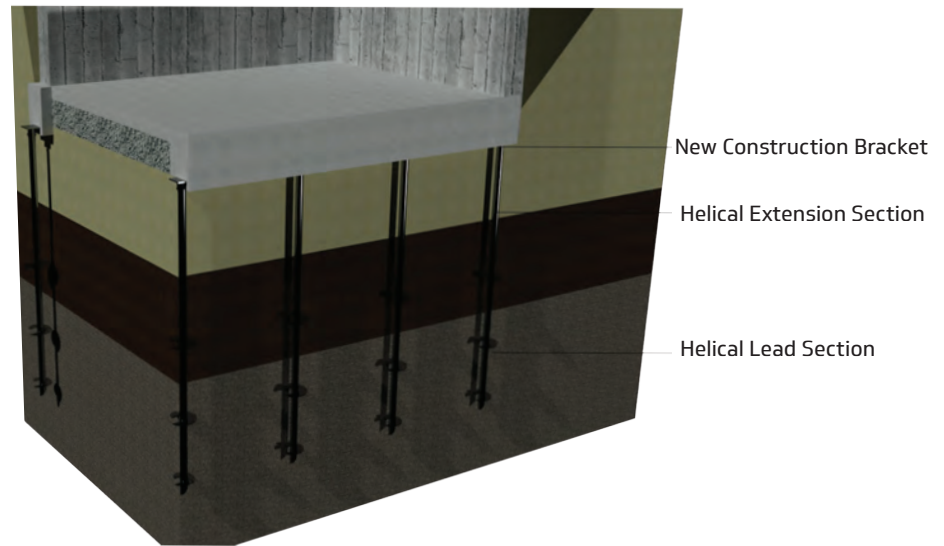
Estimated allowable capacity of 50,000 lbs.
Can be designed for up to 100,000 lbs.

Features / Benefits

- Can save you up to 50% in labor costs
- Speed up the construction schedule
- Low noise and vibration free
- All-weather installation
- Low investment to equip excavators or backhoes
- Installs faster than most other deep foundation methods
- Helicals from 2-7/8" to 48" diameters

Installation Instructions

- 1** Excavate the area where the foundation is to be installed.
- 2** Excavate each pier location if needed, but is not necessary.
- 3** Install helical lead section next to the foundation, and add extension until required torque and/or depth is achieved.
- 4** Place new construction brackets on top of the helical extension and secure with nuts and bolts.



Consumable Materials

Product	Product Description	Application Description
Helical Lead Section	Pipe section with one or more welded helical bearing plates	Typical lead section 2-7/8" OD, 5' to 7' long pipe, with a single Helix and Cross-Lock coupling.
Helical Extension Sections	Pipe section with Cross-Lock Couplings welded to each side	Typically requires 1 to 2 - 2-7/8" 5' or 7' long Extensions for an overall length of 14' to 21' depth. Attaches to lead section with Cross-Lock Connection .
New Construction Bracket	Steel Plate welded to a Cross-Lock Coupling or Coupling for the Hercules Pile System	Typical 6" x 6" x 1/2" plate sits on top of the helical extension section.
Helical Equipment Package	Hydraulic rotary motor and gearbox attached to a power source used to install the pile into the ground	The helical equipment package will normally be mounted to a skid steer or excavator, and the standard installation drive heads will range from 6,000 ft-lbs to 16,000 ft-lbs. A digital or analog torque monitor will be used to calculate the pile's capacity.

MILITARY



Helical piles are a permanent foundation solution, and they ensure a strong and fast foundation for use on a variety of government projects. They are a patented, trusted, permanent solution in this industry. The patented PierTech system and the new construction bracket allow for quick and easy installation. Without the need for concrete, there are no delays due to weather or wait times for curing. This application has the use for both round, used for compression, and square shaft, used for tension, material.

Why use PierTech's patented system?

- Our helical piers have been tested and refined in the tough training grounds of any size government construction project.
- Using the PierTech system allows for a quick and easy installation, and it can save you up to 50% on labor costs.
- The PierTech system allows for easy installation for construction in the government market.

FEATURED PATENTED PRODUCTS



SQUARE SHAFT ANCHOR



- Fast installation
- High-strength steel
- Can be installed in all weather conditions
- Site verified loading
- Removable and reusable



HERCULES PILE™

- Supports between 200,000 and 1,000,000 lbs
- Can be installed in any weather
- Zero vibration installation
- Low noise installation
- Available in 4" to 48" diameters

CROSS-LOCK™ CONNECTION

- Patented connection saving up to 50% in labor costs
- Torque is fully contained in the coupling
- Zero bolt hole elongation during installation
- Complete steel on steel connection
- Superior strength and lateral stability
- Reduces installation times up to 50%



INSTA-BRACE BRACKET

- Easy, quick installation
- No curing times
- Removable and reusable



NEW CONSTRUCTION BRACKET

- Can be installed right on top of the Cross-Lock coupler
- No concrete needed
- No welding
- Simple installation



9.4 MILITARY

System: Helical Tension System

PierTech helical solution for tension applications.



Load Capacity Rating
Helical pile

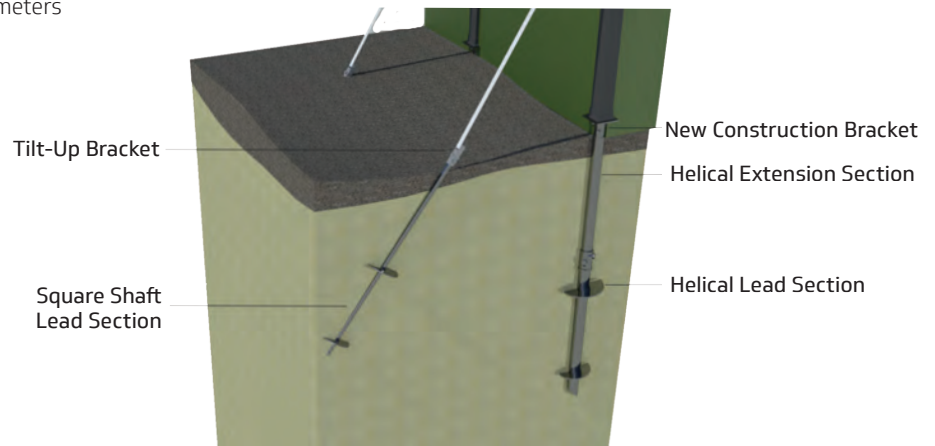
Estimated allowable capacity of 50,000 lbs.
Can be designed for up to 100,000 lbs.

Features / Benefits

- Can save you up to 50% in labor costs
- Speed up the construction schedule
- Low noise and vibration free
- All-weather installation
- Low investment to equip excavators or backhoes
- Installs faster than most other deep foundation methods
- Round Shaft Helicals from 2-7/8" to 48" diameters
- Square Shaft Helicals in 1-1/2" and 1-3/4"

Installation Instructions

- 1** Excavate the area where the foundation is to be installed.
- 2** Excavate each pier location if needed, but is not necessary.
- 3** Install helical lead section next to the foundation, and add extension until required torque and/or depth is achieved.
- 4** Place new construction brackets on top of the helical extension and secure with nuts and bolts.



Consumable Materials

Product	Product Description	Application Description
Helical Lead Section	Pipe section with one or more welded helical bearing plates	Typical lead section 2-7/8" OD, 5' to 7' long pipe, with a single Helix and Cross-Lock coupling.
Helical Extension Sections	Pipe section with Cross-Lock Couplings welded to each side	Typically requires 1 to 2 - 2-7/8" 5' or 7' long Extensions for an overall length of 14' to 21' depth. Attaches to lead section with Cross-Lock Connection .
Square Shaft Helical Anchor	Square bar with one or more welded helical bearing plates	Typical square shaft anchor section 1-1/2" square bar in 5ft or 7ft long square bar, with a double or triple helix.
Insta-Brace Bracket	High-strength steel bracket that attaches to the square shaft helical anchor	Steel bracket attaches to the top of the 1-1/2" square shaft helical anchor using the required nuts and bolts which attach it to the connector.
New Construction Bracket	Steel Plate welded to a Cross-Lock Coupling or Coupling for the Hercules Pile System	Typical 6" x 6" x 1/2" plate sits on top of the helical extension section.
Helical Equipment Package	Hydraulic rotary motor and gearbox attached to a power source used to install the pile into the ground	The helical equipment package will normally be mounted to a skid steer or excavator, and the standard installation drive heads will range from 6,000 ft-lbs to 16,000 ft-lbs. A digital or analog torque monitor will be used to calculate the pile's capacity.

PARKS



Helical piers are a permanent foundation solution, and they ensure a strong and fast foundation for use on a variety of government projects. They are a patented, trusted, permanent solution in this industry. The patented PierTech system and the new construction bracket allow for quick and easy installation. Without the need for concrete, there are no delays due to weather or wait times for curing.

Why use PierTech's patented system?

- Our helical piers have been tested and refined in the tough training grounds of any size government construction project.
- Using the PierTech system allows for a quick and easy installation, and it can save you up to 50% on labor costs.
- The PierTech system allows for easy installation for construction in the government market.

FEATURED PATENTED PRODUCTS



CROSS-LOCK™ CONNECTION

- Patented connection saving up to 50% in labor costs
- Torque is fully contained in the coupling
- Zero bolt hole elongation during installation
- Complete steel on steel connection
- Superior strength and lateral stability
- Reduces installation times up to 50%



HERCULES PILE™

- Supports between 200,000 and 1,000,000 lbs
- Can be installed in any weather
- Zero vibration installation
- Low noise installation
- Available in 4" to 48" diameters



NEW CONSTRUCTION BRACKET

- Can be installed right on top of the Cross-Lock coupler
- No concrete needed
- No welding
- Simple installation

9.5 PARKS

System: New Construction System

Patented solutions for new construction.



Load Capacity Rating Helical pile

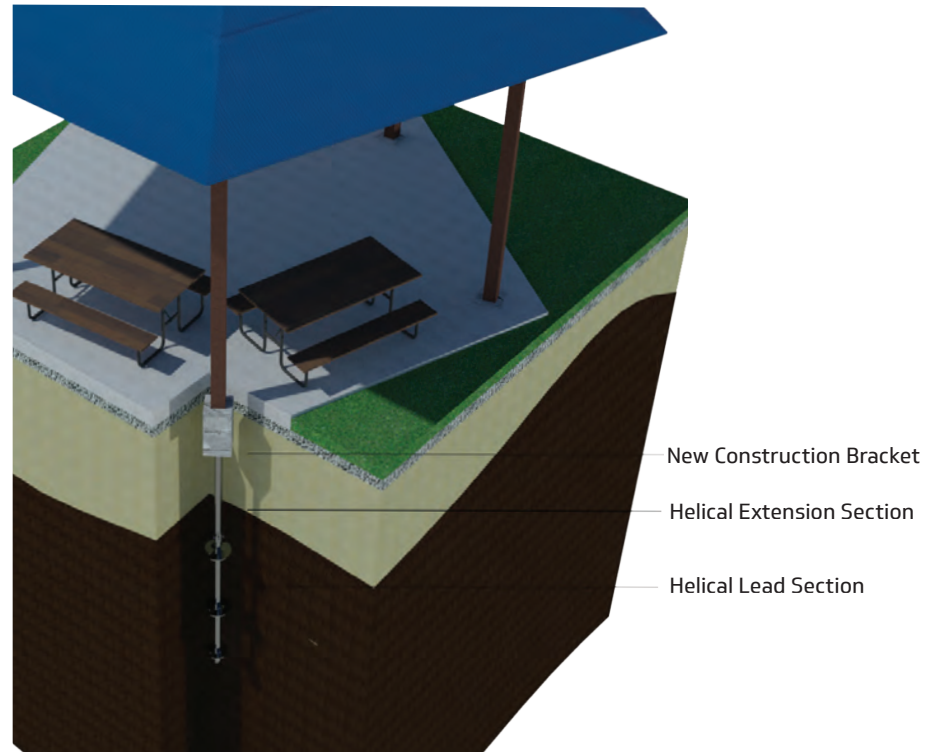
Estimated allowable capacity of 50,000 lbs.
Can be designed for up to 100,000 lbs.

Features / Benefits

- Can save you up to 50% in labor costs
- Speed up the construction schedule
- Low noise and vibration free
- All-weather installation
- Low investment to equip excavators or backhoes
- Installs faster than most other deep foundation methods
- Helicals from 2-7/8" to 48" diameters

Installation Instructions

- 1 Excavate the area where the foundation is to be installed.
- 2 Excavate each pier location if needed, but is not necessary.
- 3 Install helical lead section next to the foundation, and add extension until required torque and/or depth is achieved.
- 4 Place new construction brackets on top of the helical extension and secure with nuts and bolts.



Consumable Materials

Product	Product Description	Application Description
Helical Lead Section	Pipe section with one or more welded helical bearing plates	Typical lead section 2-7/8" OD, 5' to 7' long pipe, with a single Helix and Cross-Lock coupling.
Helical Extension Sections	Pipe section with Cross-Lock Couplings welded to each side	Typically requires 1 to 2 - 2-7/8" 5' or 7' long Extensions for an overall length of 14' to 21' depth. Attaches to lead section with Cross-Lock Connection .
New Construction Bracket	Steel Plate welded to a Cross-Lock Coupling or Coupling for the Hercules Pile System	Typical 6" x 6" x 1/2" plate sits on top of the helical extension section.
Helical Equipment Package	Hydraulic rotary motor and gearbox attached to a power source used to install the pile into the ground	The helical equipment package will normally be mounted to a skid steer or excavator, and the standard installation drive heads will range from 6,000 ft-lbs to 16,000 ft-lbs. A digital or analog torque monitor will be used to calculate the pile's capacity.

RAILROAD

Helical piles are a permanent foundation solution, and they ensure a strong and fast foundation for use on a variety of government projects. They are a patented, trusted, permanent solution in this industry. The patented PierTech system and the new construction bracket allow for quick and easy installation. Without the need for concrete, there are no delays due to weather or wait times for curing. This application (though not pictured) has the use for both round, used for compression, and square shaft, used for tension, material.

Why use PierTech's patented system?

- Our helical piers have been tested and refined in the tough training grounds of any size government construction project.
- Using the PierTech system allows for a quick and easy installation, and it can save you up to 50% on labor costs.
- The PierTech system allows for easy installation for construction in the government market.

FEATURED PATENTED PRODUCTS



SQUARE SHAFT ANCHOR

- Fast installation
- High-strength steel
- Can be installed in all weather conditions
- Site verified loading
- Removable and reusable



HERCULES PILE™

- Supports between 200,000 and 1,000,000 lbs
- Can be installed in any weather
- Zero vibration installation
- Low noise installation
- Available in 4" to 48" diameters



CROSS-LOCK™ CONNECTION

- Patented connection saving up to 50% in labor costs
- Torque is fully contained in the coupling
- Zero bolt hole elongation during installation
- Complete steel on steel connection
- Superior strength and lateral stability
- Reduces installation times up to 50%



INSTA-BRACE BRACKET

- Easy, quick installation
- No curing times
- Removable and reusable



NEW CONSTRUCTION BRACKET

- Can be installed right on top of the Cross-Lock coupler
- No concrete needed
- No welding
- Simple installation



9.6 RAILROAD

System: New Construction System

Patented solutions for new construction.



Load Capacity Rating
Helical pile

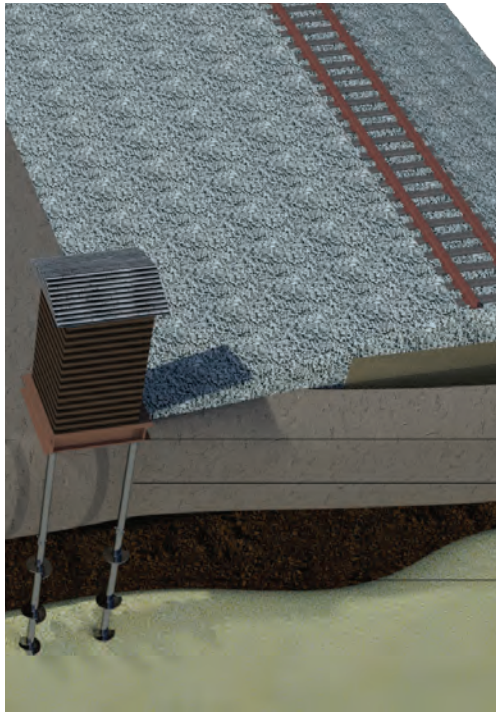
Estimated allowable capacity of 50,000 lbs.
Can be designed for up to 100,000 lbs.

Features / Benefits

- Can save you up to 50% in labor costs
- Speed up the construction schedule
- Low noise and vibration free
- All-weather installation
- Low investment to equip excavators or backhoes
- Installs faster than most other deep foundation methods
- Round Shaft Helicals from 2-7/8" to 48" diameters
- Square Shaft Helicals in 1-1/2" and 1-3/4"

Installation Instructions

- 1 Excavate the area where the foundation is to be installed.
- 2 Excavate each pier location if needed, but is not necessary.
- 3 Install helical lead section next to the foundation, and add extension until required torque and/or depth is achieved.
- 4 Place new construction brackets on top of the helical extension and secure with nuts and bolts.



New Construction Bracket
Helical Extension Section
Helical Lead Section

Consumable Materials

Product	Product Description	Application Description
Helical Lead Section	Pipe section with one or more welded helical bearing plates	Typical lead section 2-7/8" OD, 5' to 7' long pipe, with a single Helix and Cross-Lock coupling.
Helical Extension Sections	Pipe section with Cross-Lock Couplings welded to each side	Typically requires 1 to 2 - 2-7/8" 5' or 7' long Extensions for an overall length of 14' to 21' depth. Attaches to lead section with Cross-Lock Connection .
Square Shaft Helical Anchor	Square bar with one or more welded helical bearing plates	Typical square shaft anchor section 1-1/2" square bar in 5ft or 7ft long square bar, with a double or triple helix.
Insta-Brace Bracket	High-strength steel bracket that attaches to the square shaft helical anchor	Steel bracket attaches to the top of the 1-1/2" square shaft helical anchor using the required nuts and bolts which attach it to the connector.
New Construction Bracket	Steel Plate welded to a Cross-Lock Coupling or Coupling for the Hercules Pile System	Typical 6" x 6" x 1/2" plate sits on top of the helical extension section.
Helical Equipment Package	Hydraulic rotary motor and gearbox attached to a power source used to install the pile into the ground	The helical equipment package will normally be mounted to a skid steer or excavator, and the standard installation drive heads will range from 6,000 ft-lbs to 16,000 ft-lbs. A digital or analog torque monitor will be used to calculate the pile's capacity.

WASTE WATER FACILITIES



Helical piles are a permanent foundation solution, and they ensure a strong and fast foundation for use on a variety of government projects. They are a patented, trusted, permanent solution in this industry. The patented PierTech system and the new construction bracket allow for quick and easy installation. Without the need for concrete, there are no delays due to weather or wait times for curing.

Why use PierTech's patented system?

- Our helical piles have been tested and refined in the tough training grounds of any size government construction project.
- Using the PierTech system allows for a quick and easy installation, and it can save you up to 50% on labor costs.
- The PierTech system allows for easy installation for construction in the government market.

FEATURED PATENTED PRODUCTS



CROSS-LOCK™ CONNECTION

- Patented connection saving up to 50% in labor costs
- Torque is fully contained in the coupling
- Zero bolt hole elongation during installation
- Complete steel on steel connection
- Superior strength and lateral stability
- Reduces installation times up to 50%



HERCULES PILE™

- Supports between 200,000 and 1,000,000 lbs
- Can be installed in any weather
- Zero vibration installation
- Low noise installation
- Available in 4" to 48" diameters



NEW CONSTRUCTION BRACKET

- Can be installed right on top of the Cross-Lock coupler
- No concrete needed
- No welding
- Simple installation

9.7 WASTE WATER FACILITIES

System: New Construction System

Patented solutions for new construction.



Load Capacity Rating Helical pile

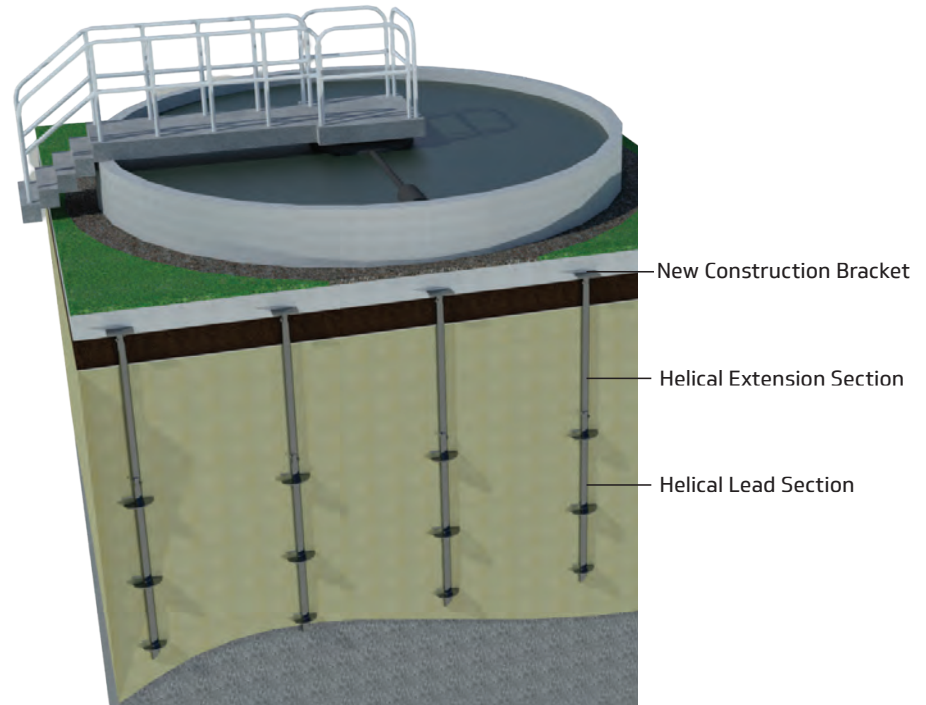
Estimated allowable capacity of 50,000 lbs.
Can be designed for up to 100,000 lbs.

Features / Benefits

- Can save you up to 50% in labor costs
- Speed up the construction schedule
- Low noise and vibration free
- All-weather installation
- Low investment to equip excavators or backhoes
- Installs faster than most other deep foundation methods
- Helicals from 2-7/8" to 48" diameters

Installation Instructions

- 1 Excavate the area where the foundation is to be installed.
- 2 Excavate each pier location if needed, but is not necessary.
- 3 Install helical lead section next to the foundation, and add extension until required torque and/or depth is achieved.
- 4 Place new construction brackets on top of the helical extension and secure with nuts and bolts.



Consumable Materials

Product	Product Description	Application Description
Helical Lead Section	Pipe section with one or more welded helical bearing plates	Typical lead section 2-7/8" OD, 5' to 7' long pipe, with a single Helix and Cross-Lock coupling.
Helical Extension Sections	Pipe section with Cross-Lock Couplings welded to each side	Typically requires 1 to 2 - 2-7/8" 5' or 7' long Extensions for an overall length of 14' to 21' depth. Attaches to lead section with Cross-Lock Connection .
New Construction Bracket	Steel Plate welded to a Cross-Lock Coupling or Coupling for the Hercules Pile System	Typical 6" x 6" x 1/2" plate sits on top of the helical extension section.
Helical Equipment Package	Hydraulic rotary motor and gearbox attached to a power source used to install the pile into the ground	The helical equipment package will normally be mounted to a skid steer or excavator, and the standard installation drive heads will range from 6,000 ft-lbs to 16,000 ft-lbs. A digital or analog torque monitor will be used to calculate the pile's capacity.

MARINE

BOARDWALKS



Helical piles are a permanent foundation solution, and they ensure a strong and fast foundation for use on different marine projects. They are a strong, permanent solution in the industry. The patented PierTech system and the new construction bracket allow for quick and easy installation. Without the need for concrete, there are no delays due to weather or wait times for curing. Though not pictured there is a use for both round shaft helicals, for compression, as well as square shaft, used for tension in this application.

Why use PierTech's patented system?

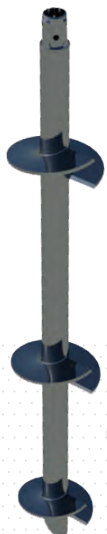
- Our helical piers have been tested and refined in the tough training grounds of marine construction.
- Using the PierTech system allows for a quick and easy installation, and it can save you up to 50% on labor costs.
- The PierTech system allows for easy installation for marine construction.

FEATURED PATENTED PRODUCTS



SQUARE SHAFT ANCHOR

- Fast installation
- High-strength steel
- Can be installed in all weather conditions
- Site verified loading
- Removable and reusable



HERCULES PILE™

- Supports between 200,000 and 1,000,000 lbs
- Can be installed in any weather
- Zero vibration installation
- Low noise installation
- Available in 4" to 48" diameters



CROSS-LOCK™ CONNECTION

- Patented connection saving up to 50% in labor costs
- Torque is fully contained in the coupling
- Zero bolt hole elongation during installation
- Complete steel on steel connection
- Superior strength and lateral stability
- Reduces installation times up to 50%



INSTA-BRACE BRACKET

- Easy, quick installation
- No curing times
- Removable and reusable



NEW CONSTRUCTION BRACKET

- Can be installed right on top of the Cross-Lock coupler
- No concrete needed
- No welding
- Simple installation



10.1 BOARDWALKS

System: Helical Boardwalk System

Piertech's helical system that allows for the piers to be connected directly to a beam or column.

Features / Benefits

- Can save you up to 50% in labor costs
- Speed up the construction schedule
- Low noise and vibration free
- All-weather installation
- Low investment to equip excavators or backhoes
- Installs faster than most other deep foundation methods
- Helicals from 2-7/8" to 48" diameters

Installation Instructions

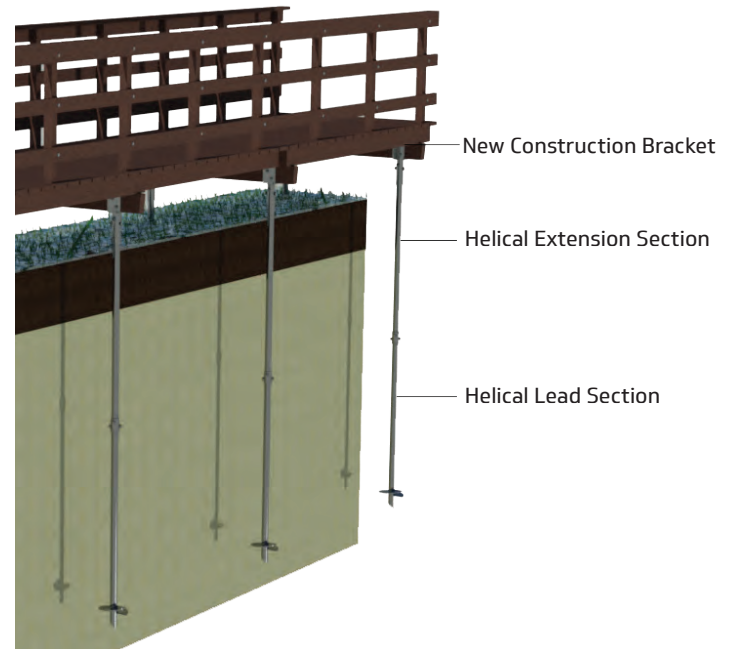
- 1 Excavate the area where the foundation is to be installed.
- 2 Excavate each pier location if required, but is not necessary.
- 3 Install helical lead section next to the foundation, and add extension until required torque and/or depth is achieved.
- 4 Place new construction brackets on top of the helical extension and secure with nuts and bolts.



Load Capacity Rating

Helical pile

Estimated allowable capacity of 50,000 lbs.
Can be designed for up to 100,000 lbs.



Product	Product Description	Application Description
Helical Lead Section	Pipe section with one or more welded helical bearing plates	Typical lead section 2-7/8" OD, 5' to 7' long pipe, with a single Helix and Cross-Lock coupling.
Helical Extension Sections	Pipe section with Cross-Lock Couplings welded to each side	Typically requires 1 to 2 - 2-7/8" 5' or 7' long Extensions for an overall length of 14' to 21' depth. Attaches to lead section with Cross-Lock Connection .
Square Shaft Helical Anchor	Square bar with one or more welded helical bearing plates	Typical square shaft anchor section 1-1/2" square bar in 5ft or 7ft long square bar, with a double or triple helix.
New Construction Bracket	Steel Plate welded to a Cross-Lock Coupling or Coupling for the Hercules Pile System	Typical 6" x 6" x 1/2" plate sits on top of the helical extension section.
Helical Equipment Package	Hydraulic rotary motor and gearbox attached to a power source used to install the pile into the ground	The helical equipment package will normally be mounted to a skid steer or excavator, and the standard installation drive heads will range from 6,000 ft-lbs to 16,000 ft-lbs. A digital or analog torque monitor will be used to calculate the pile's capacity.

BULKHEADS

The Insta-Brace System by PierTech helps to speed up marine construction that specifies for square material, allowing for a quick and easy installation. Using the PierTech system allows contractors to use high quality steel, patented products, and get the job done quickly.

Why use PierTech's patented system?

- Using the PierTech system allows for a quick and easy installation.
- The PierTech system allows for easy installation for marine construction.

FEATURED PATENTED PRODUCTS



SQUARE SHAFT ANCHOR

- Fast installation
- High-strength steel
- Can be installed in all weather conditions
- Site verified loading
- Removable and reusable



THREAD ROD ADAPTER

- Easy installation
- Quick installation
- No curing times
- Removable and reusable



10.2 BULKHEADS

System: Helical Tension System

PierTech helical solution for tension applications.



Load Capacity Rating

Insta-Brace

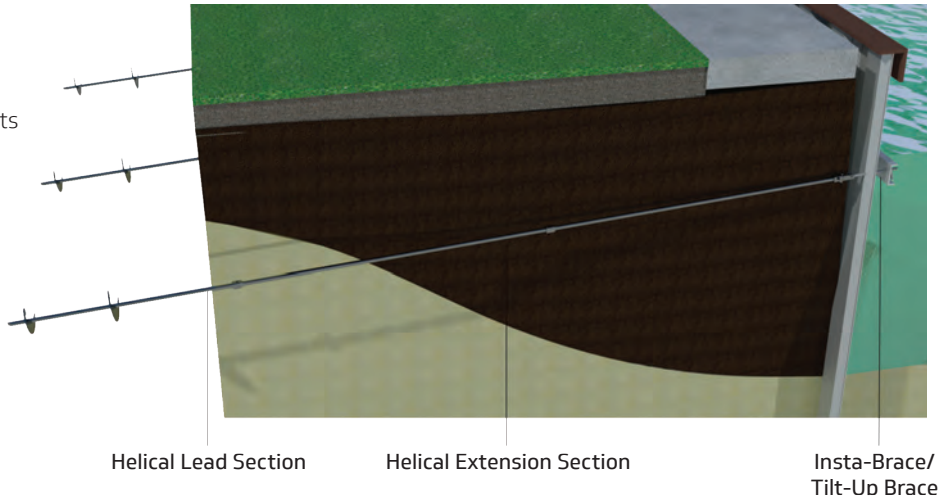
Estimated allowable capacity of 35,000 lbs.
Can be designed for up to 70,000 lbs.

Features / Benefits

- Quick installation and loading capability
- Minimal soil disturbance
- Removable and re-usable for future projects
- All-weather installation
- Site verified loading

Installation Instructions

- 1 Excavate the area if needed prior to installation.
- 2 Install anchors to the torque requirement, maintaining continuous downward pressure during installation.
- 3 Attach tilt up brackets and proceed with raising concrete walls into position.



Consumable Materials

Product	Product Description	Application Description
Square Shaft Helical Anchor	Square bar with one or more welded helical bearing plates.	Typical square shaft anchor section 1-1/2" square bar but also come in 1-3/4" in 5ft or 7ft long square bar, with a double or triple helix.
Insta-Brace Bracket	High-strength steel bracket that attaches to the square shaft helical anchor	Steel bracket attaches to the top of the 1-1/2" square shaft helical anchor using the required nuts and bolts which attach it to the connector.
Anchor Equipment Package	Hydraulic rotary motor and gearbox attached to a power source used to install the pile into the ground.	The helical equipment package will normally be mounted to a skid steer or excavator, and the standard installation drive heads will range from 6,000 ft-lbs to 360,000 ft-lbs. A digital or analog torque monitor will be used to Calculate the pile's capacity

DOCKS

Helical piles are a permanent foundation solution, and they ensure a strong and fast foundation for use on different marine projects. They are a strong, permanent solution in the industry. The patented PierTech system and the new construction bracket allow for quick and easy installation. Without the need for concrete, there are no delays due to weather or wait times for curing. Though not pictured there is a use for both round shaft helicals, for compression, as well as square shaft, used for tension in this application.

Why use PierTech's patented system?

- Our helical piers have been tested and refined in the tough training grounds of marine construction
- Using the PierTech system allows for a quick and easy installation, and it can save you up to 50% on labor costs.
- The PierTech system allows for easy installation for marine construction.

FEATURED PATENTED PRODUCTS



SQUARE SHAFT ANCHOR

- Fast installation
- High-strength steel
- Can be installed in all weather conditions
- Site verified loading
- Removable and reusable



HERCULES PILE™

- Supports between 200,000 and 1,000,000 lbs
- Can be installed in any weather
- Zero vibration installation
- Low noise installation
- Available in 4" to 48" diameters



CROSS-LOCK™ CONNECTION

- Patented connection saving up to 50% in labor costs
- Torque is fully contained in the coupling
- Zero bolt hole elongation during installation
- Complete steel on steel connection
- Superior strength and lateral stability
- Reduces installation times up to 50%



INSTA-BRACE BRACKET

- Easy, quick installation
- No curing times
- Removable and reusable



NEW CONSTRUCTION BRACKET

- Can be installed right on top of the Cross-Lock coupler
- No concrete needed
- No welding
- Simple installation



10.3 DOCKS

System: Helical Tension System

PierTech helical solution for tension applications.



Load Capacity Rating Helical pile

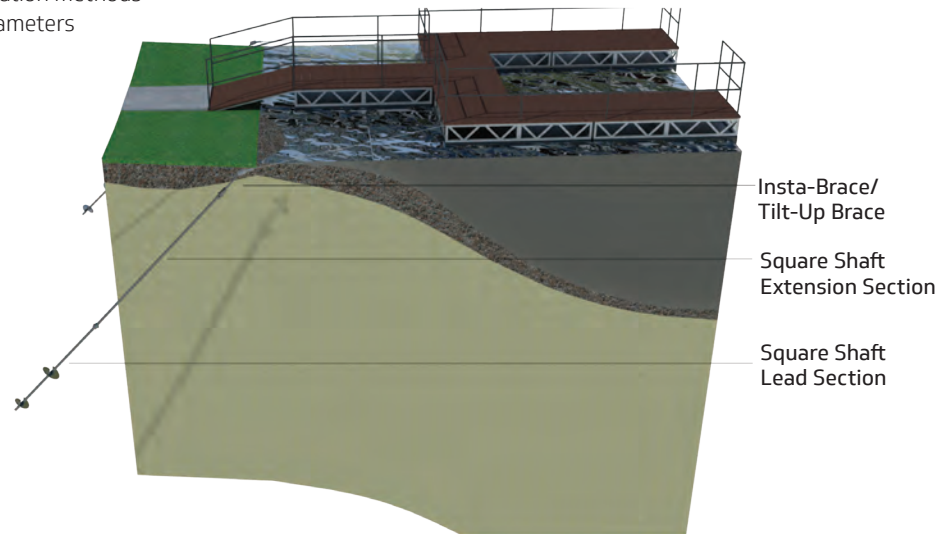
Estimated allowable capacity of 50,000 lbs.
Can be designed for up to 100,000 lbs.

Features / Benefits

- Can save you up to 50% in labor costs
- Speed up the construction schedule
- Low noise and vibration free
- All-weather installation
- Low investment to equip excavators or backhoes
- Installs faster than most other deep foundation methods
- Round Shaft Helicals from 2-7/8" to 48" diameters
- Square Shaft Helicals in 1-1/2" and 1-3/4"

Installation Instructions

- 1** Excavate the area where the foundation is to be installed.
- 2** Excavate each pier location if needed, but is not necessary.
- 3** Install helical lead section next to the foundation, and add extension until required torque and/or depth is achieved.
- 4** Place new construction brackets on top of the helical extension and secure with nuts and bolts.



Consumable Materials

Product	Product Description	Application Description
Helical Lead Section	Pipe section with one or more welded helical bearing plates	Typical lead section 2-7/8" OD, 5' to 7' long pipe, with a single Helix and Cross-Lock coupling.
Helical Extension Sections	Pipe section with Cross-Lock Couplings welded to each side	Typically requires 1 to 2 - 2-7/8" 5' or 7' long Extensions for an overall length of 14' to 21' depth. Attaches to lead section with Cross-Lock Connection .
Square Shaft Helical Anchor	Square bar with one or more welded helical bearing plates.	Typical square shaft anchor section 1-1/2" square bar in 5ft or 7ft long square bar, with a double or triple helix. LINK
New Construction Bracket	Steel Plate welded to a Cross-Lock Coupling or Coupling for the Hercules Pile System	Typical 6" x 6" x 1/2" plate sits on top of the helical extension section.
Helical Equipment Package	Hydraulic rotary motor and gearbox attached to a power source used to install the pile into the ground	The helical equipment package will normally be mounted to a skid steer or excavator, and the standard installation drive heads will range from 6,000 ft-lbs to 16,000 ft-lbs. A digital or analog torque monitor will be used to calculate the pile's capacity.

MOORINGS



The Insta-Brace System by PierTech helps to speed up marine construction that specifies for square material, allowing for a quick and easy installation. Using the PierTech system allows contractors to use high quality steel, patented products, and get the job done quickly. This system is ideal for permanently holding moorings in place.

Why use PierTech's patented system?

- Using the PierTech system allows for a quick and easy installation.
- The PierTech system allows for easy installation for marine construction.

FEATURED PATENTED PRODUCTS



SQUARE SHAFT ANCHOR

- Fast installation
- High-strength steel
- Can be installed in all weather conditions
- Site verified loading
- Removable and reusable



INSTA-BRACE BRACKET

- Easy, quick installation
- No curing times
- Removable and reusable



10.4 MOORINGS

System: Helical Tension System

PierTech helical solution for tension applications.



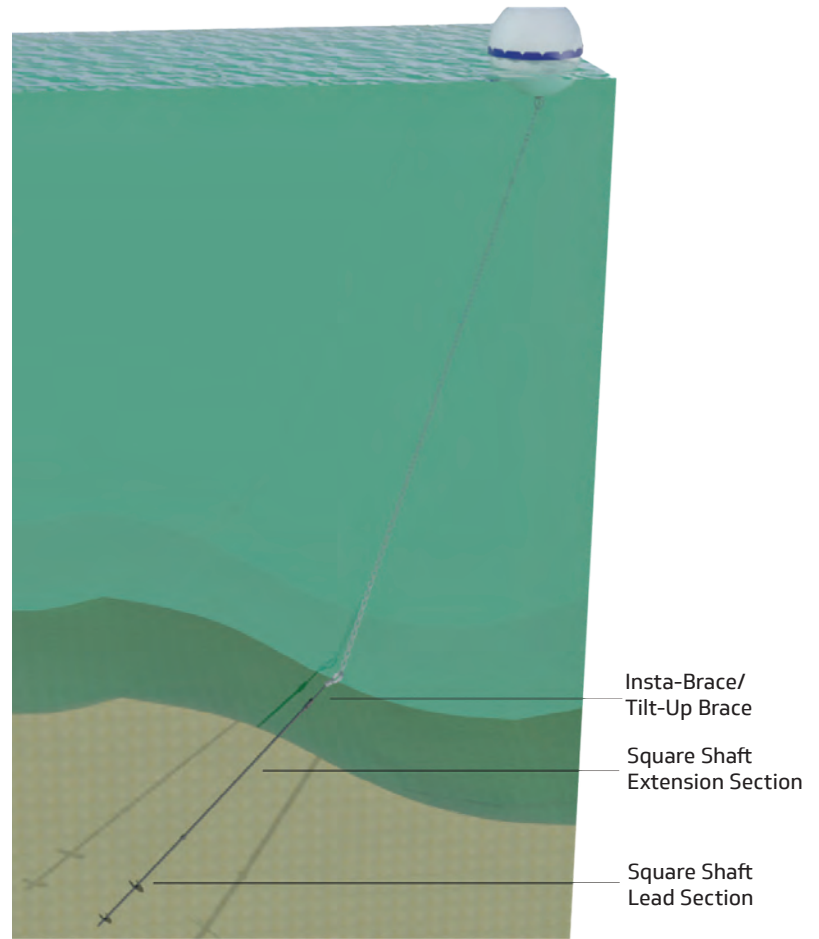
Load Capacity Rating
Insta-Brace

Estimated allowable capacity of 50,000 lbs.
Can be designed for up to 100,000 lbs.

Features / Benefits

- Quick installation and loading capability
- Minimal soil disturbance
- Removable and re-usable for future projects
- All-weather installation
- Site verified loading

- 1** Excavate the area if needed prior to installation.
- 2** Install anchors to the torque requirement, maintaining continuous downward pressure during installation.
- 3** Attach tilt up brackets and proceed with raising concrete walls into position.



Consumable Materials

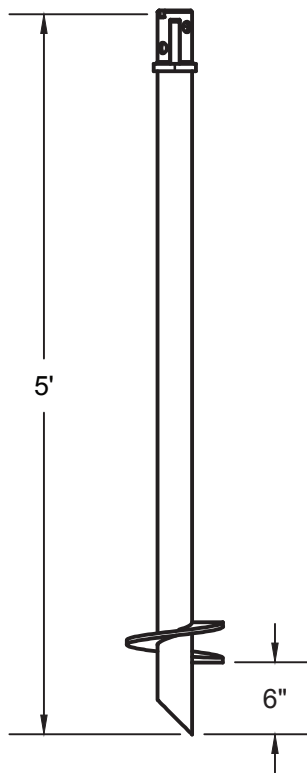
Product	Product Description	Application Description
Square Shaft Helical Anchor	Square bar with one or more welded helical bearing plates.	Typical square shaft anchor section 1-1/2" square bar but also come in 1-3/4" in 5ft or 7ft long square bar, with a double or triple helix.
Insta-Brace Bracket	High-strength steel bracket that attaches to the square shaft helical anchor	Steel bracket attaches to the top of the 1-1/2" square shaft helical anchor using the required nuts and bolts which attach it to the connector.
Anchor Equipment Package	Hydraulic rotary motor and gearbox attached to a power source used to install the pile into the ground.	The helical equipment package will normally be mounted to a skid steer or excavator, and the standard installation drive heads will range from 6,000 ft-lbs to 360,000 ft-lbs. A digital or analog torque monitor will be used to Calculate the piles capacity

TECHNICAL 2-7/8" DIAMETER

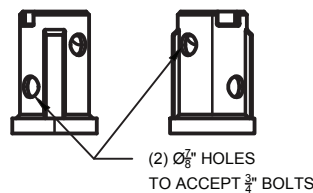
SINGLE HELIX LEADS

2-7/8" 5FT. 8" HELIX LEAD

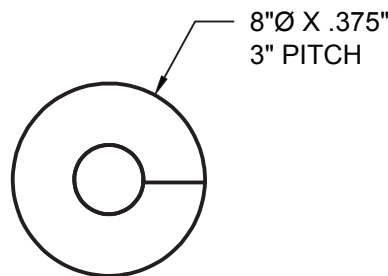
2.88-L58G or 2.88-L58B



PIERTECH PATENTED CROSS-LOCK COUPLING



PRESS FORMED HELIX W/ UNIFORM PITCH



ICC ESR 3969 available upon special order request

PILE CAPACITY

Structural Capacity	50 kips(allowable), 100 kips(ultimate)
Torque Rating	8,800 ft-lbs
k_t Factor	9 ft ⁻¹

Geotechnical Capacity

Compression	39.6 kips (allowable), 79.2 kips (ultimate)
Tension	34.4 kips (allowable), 68.8 kips (ultimate)

PRODUCT SPECIFICATIONS

Shaft Properties

Nominal Shaft OD	2.875"
Nominal Wall Thickness	0.217"
Design Wall Thickness	0.202"
Corroded Wall Thickness*	0.166"
Design Area Moment of Inertia	1.52 in. ⁴
Corroded Area Moment of	1.25
Design Section Modulus	1.06 in. ³
Corroded Section Modulus*	0.88 in. ³
Shaft Min. Yield Strength	60 ksi
Shaft Min. Ultimate Strength	63 ksi

Helix Properties

Standard Plate Thickness	0.375"
Available Plate Thicknesses	0.5" 0.625" 0.75"
Plate Min. Yield Strength	50 ksi
Standard Helix Pitch	3"
Cutting Profile Options	Standard V-Cut Seashell Cut

Connection Details

Coupling	Piertech Patented Cross-lock
Hardware	(2) $\frac{3}{4}$ " \varnothing Grade 5 Min.

Coating Options

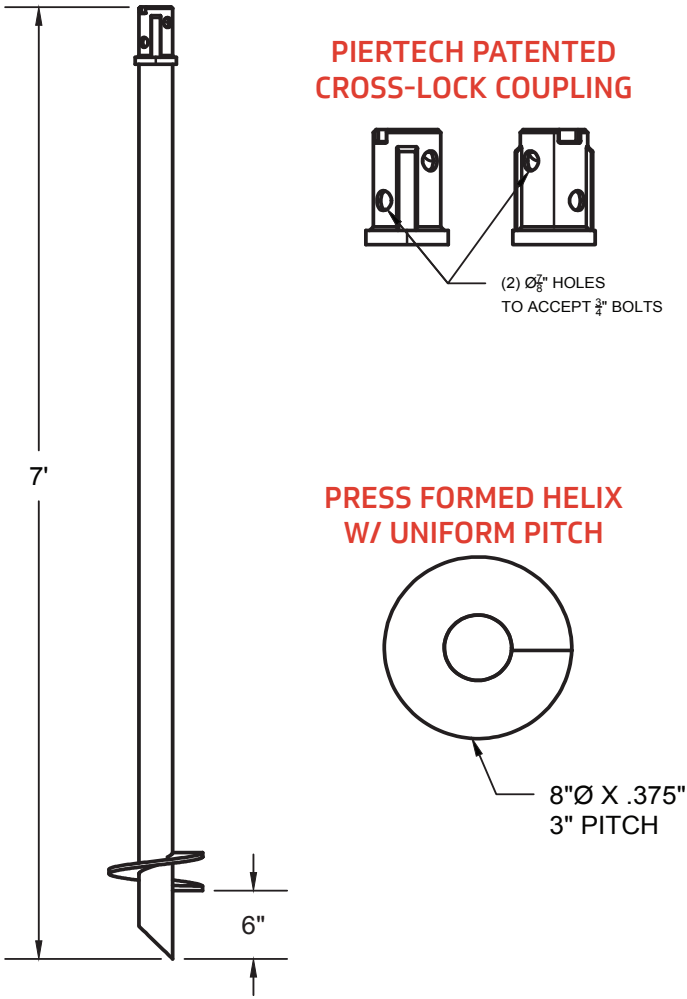
Bare Steel
Hot-Dipped Galvanized per ASTM A123/153.

*Based on 50 years per AC308

SINGLE HELIX LEADS

2-7/8" 7FT. 8" HELIX LEAD

2.88-L78G or 2.88-L78B



ICC ESR 3969 available upon special order request

PILE CAPACITY

Structural Capacity	50 kips(allowable), 100 kips(ultimate)
Torque Rating	8,800 ft-lbs
k_t Factor	9 ft ⁻¹

Geotechnical Capacity

Compression	39.6 kips (allowable), 79.2 kips (ultimate)
Tension	34.4 kips (allowable), 68.8 kips (ultimate)

PRODUCT SPECIFICATIONS

Shaft Properties

Nominal Shaft OD	2.875"
Nominal Wall Thickness	0.217"
Design Wall Thickness	0.202"
Corroded Wall Thickness*	0.166"
Design Area Moment of Inertia	1.52 in. ⁴
Corroded Area Moment of	1.25
Design Section Modulus	1.06 in. ³
Corroded Section Modulus*	0.88 in. ³
Shaft Min. Yield Strength	60 ksi
Shaft Min. Ultimate Strength	63 ksi

Helix Properties

Standard Plate Thickness	0.375"
Available Plate Thicknesses	0.5" 0.625" 0.75"
Plate Min. Yield Strength	50 ksi
Standard Helix Pitch	3"
Cutting Profile Options	Standard V-Cut Seashell Cut

Connection Details

Coupling	Piertech Patented Cross-lock
Hardware	(2) 3/4"Ø Grade 5 Min.

Coating Options

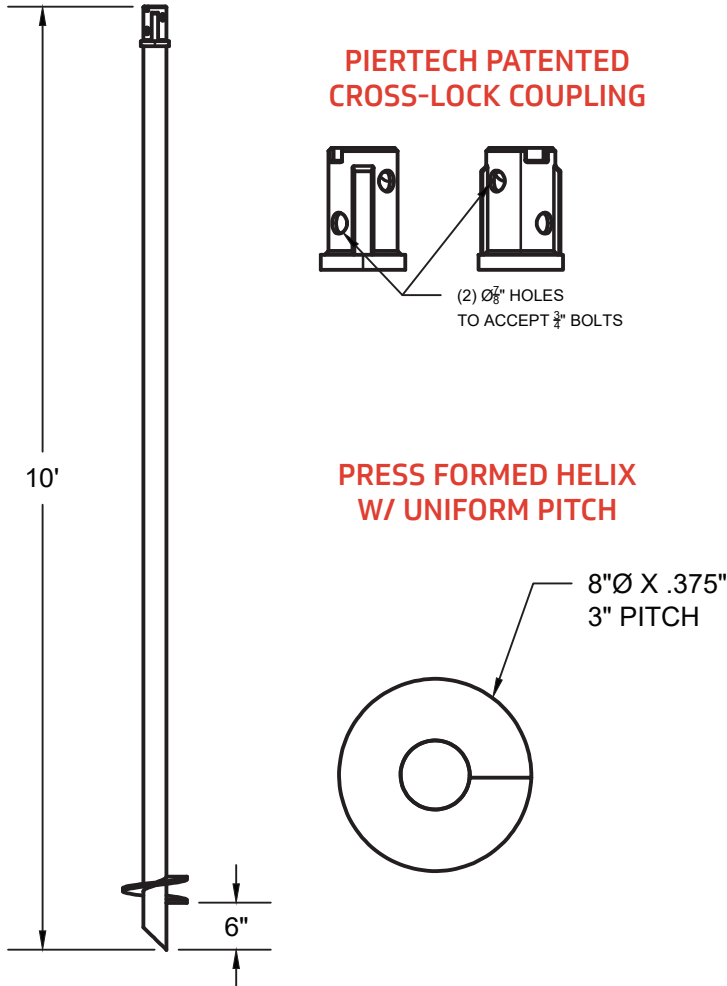
Bare Steel
Hot-Dipped Galvanized per ASTM A123/153.

*Based on 50 years per AC358

SINGLE HELIX LEADS

2-7/8" 10FT. 8" HELIX LEAD

2.88-L108G or 2.88-L108B



ICC ESR 3969 available upon special order request

PILE CAPACITY

Structural Capacity	50 kips(allowable), 100 kips(ultimate)
Torque Rating	8,800 ft-lbs
k_t Factor	9 ft ⁻¹

Geotechnical Capacity

Compression	39.6 kips (allowable), 79.2 kips (ultimate)
Tension	34.4 kips (allowable), 68.8 kips (ultimate)

PRODUCT SPECIFICATIONS

Shaft Properties

Nominal Shaft OD	2.875"
Nominal Wall Thickness	0.217"
Design Wall Thickness	0.202"
Corroded Wall Thickness*	0.166"
Design Area Moment of Inertia	1.52 in. ⁴
Corroded Area Moment of Inertia*	1.25
Design Section Modulus	1.06 in. ³
Corroded Section Modulus*	0.88 in. ³
Shaft Min. Yield Strength	60 ksi
Shaft Min. Ultimate Strength	63 ksi

Helix Properties

Standard Plate Thickness	0.375"
Available Plate Thicknesses	0.5" 0.625" 0.75"
Plate Min. Yield Strength	50 ksi
Standard Helix Pitch	3"
Cutting Profile Options	Standard V-Cut Seashell Cut

Connection Details

Coupling	Piertech Patented Cross-lock
Hardware	(2) $\frac{3}{4}$ "Ø Grade 5 Min.

Coating Options

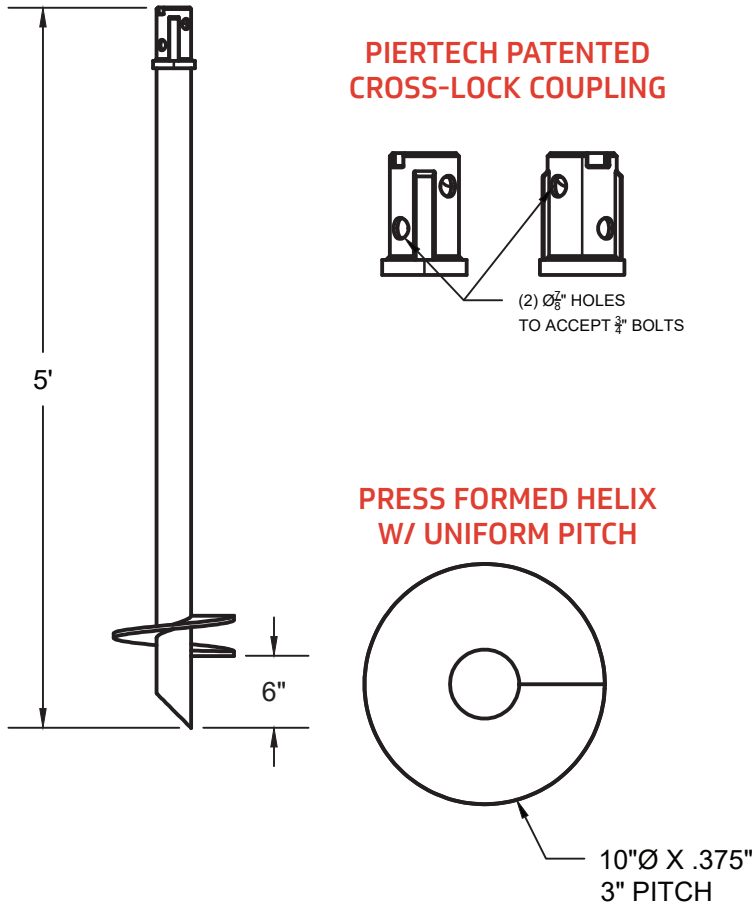
Bare Steel
Hot-Dipped Galvanized per ASTM A123/153.

*Based on 50 years per AC358

SINGLE HELIX LEADS

2.88-L510G or 2.88-L510B

2-7/8" 5FT. 10" HELIX LEAD



PRODUCT SPECIFICATIONS

Shaft Properties

Nominal Shaft OD	2.875"
Nominal Wall Thickness	0.217"
Design Wall Thickness	0.202"
Corroded Wall Thickness*	0.166"
Design Area Moment of Inertia	1.52 in. ⁴
Corroded Area Moment of Inertia*	1.25
Design Section Modulus	1.06 in. ³
Corroded Section Modulus*	0.88 in. ³
Shaft Min. Yield Strength	60 ksi
Shaft Min. Ultimate Strength	63 ksi

Helix Properties

Standard Plate Thickness	0.375"
Available Plate Thicknesses	0.5" 0.625" 0.75"
Plate Min. Yield Strength	50 ksi
Standard Helix Pitch	3"
Cutting Profile Options	Standard V-Cut Seashell Cut

Connection Details

Coupling	Piertech Patented Cross-lock
Hardware	(2) 3/4"Ø Grade 5 Min.

Coating Options

Bare Steel
Hot-Dipped Galvanized per ASTM A123/153.

*Based on 50 years per AC358

ICC ESR 3969 available upon special order request

PILE CAPACITY

Structural Capacity	50 kips(allowable), 100 kips(ultimate)
Torque Rating	8,800 ft-lbs
k _t Factor	9 ft ⁻¹

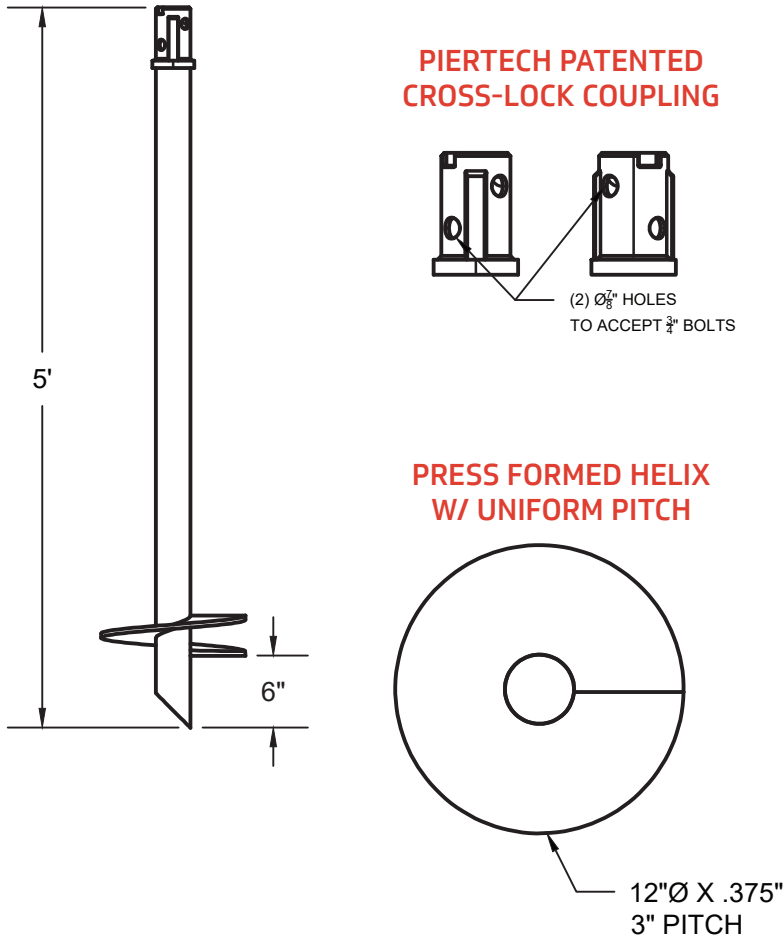
Geotechnical Capacity

Compression	39.6 kips (allowable), 79.2 kips (ultimate)
Tension	34.4 kips (allowable), 68.8 kips (ultimate)

SINGLE HELIX LEADS

2-7/8" 5FT. 12" HELIX LEAD

2.88-L512G or 2.88-L512B



ICC ESR 3969 available upon special order request

PILE CAPACITY

Structural Capacity	50 kips(allowable), 100 kips(ultimate)
Torque Rating	8,800 ft-lbs
k_t Factor	9 ft ⁻¹

Geotechnical Capacity

Compression	39.6 kips (allowable), 79.2 kips (ultimate)
Tension	34.4 kips (allowable), 68.8 kips (ultimate)

PRODUCT SPECIFICATIONS

Shaft Properties

Nominal Shaft OD	2.875"
Nominal Wall Thickness	0.217"
Design Wall Thickness	0.202"
Corroded Wall Thickness*	0.166"
Design Area Moment of Inertia	1.52 in. ⁴
Corroded Area Moment of Inertia*	1.25
Design Section Modulus	1.06 in. ³
Corroded Section Modulus*	0.88 in. ³
Shaft Min. Yield Strength	60 ksi
Shaft Min. Ultimate Strength	63 ksi

Helix Properties

Standard Plate Thickness	0.375"
Available Plate Thicknesses	0.5" 0.625" 0.75"
Plate Min. Yield Strength	50 ksi
Standard Helix Pitch	3"
Cutting Profile Options	Standard V-Cut Seashell Cut

Connection Details

Coupling	Piertech Patented Cross-lock
Hardware	(2) 3/4"Ø Grade 5 Min.

Coating Options

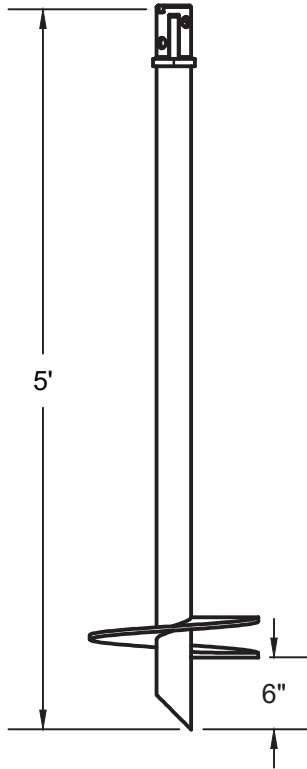
Bare Steel
Hot-Dipped Galvanized per ASTM A123/153.

*Based on 50 years per AC358

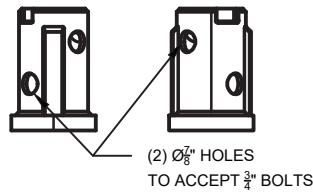
SINGLE HELIX LEADS

2-7/8" 5FT. 14" HELIX LEAD

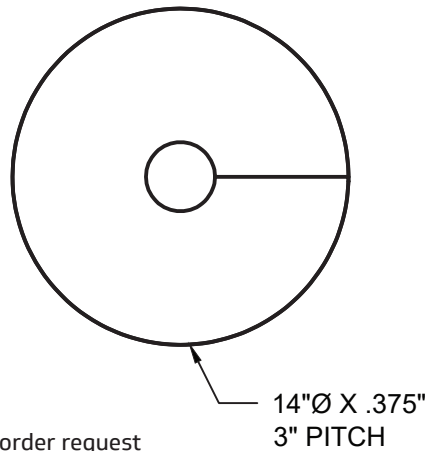
2.88-L514G or 2.88-L514B



**PIERTECH PATENTED
CROSS-LOCK COUPLING**



**PRESS FORMED HELIX
W/ UNIFORM PITCH**



ICC ESR 3969 available upon special order request

PILE CAPACITY

Structural Capacity	50 kips(allowable), 100 kips(ultimate)
Torque Rating	8,800 ft-lbs
k_t Factor	9 ft ⁻¹

Geotechnical Capacity

Compression	39.6 kips (allowable), 79.2 kips (ultimate)
Tension	34.4 kips (allowable), 68.8 kips (ultimate)

PRODUCT SPECIFICATIONS

Shaft Properties

Nominal Shaft OD	2.875"
Nominal Wall Thickness	0.217"
Design Wall Thickness	0.202"
Corroded Wall Thickness*	0.166"
Design Area Moment of Inertia	1.52 in. ⁴
Corroded Area Moment of Inertia*	1.25
Design Section Modulus	1.06 in. ³
Corroded Section Modulus*	0.88 in. ³
Shaft Min. Yield Strength	60 ksi
Shaft Min. Ultimate Strength	63 ksi

Helix Properties

Standard Plate Thickness	0.375"
Available Plate Thicknesses	0.5" 0.625" 0.75"
Plate Min. Yield Strength	50 ksi
Standard Helix Pitch	3"
Cutting Profile Options	Standard V-Cut Seashell Cut

Connection Details

Coupling	Piertech Patented Cross-lock
Hardware	(2) $\frac{3}{4}$ "Ø Grade 5 Min.

Coating Options

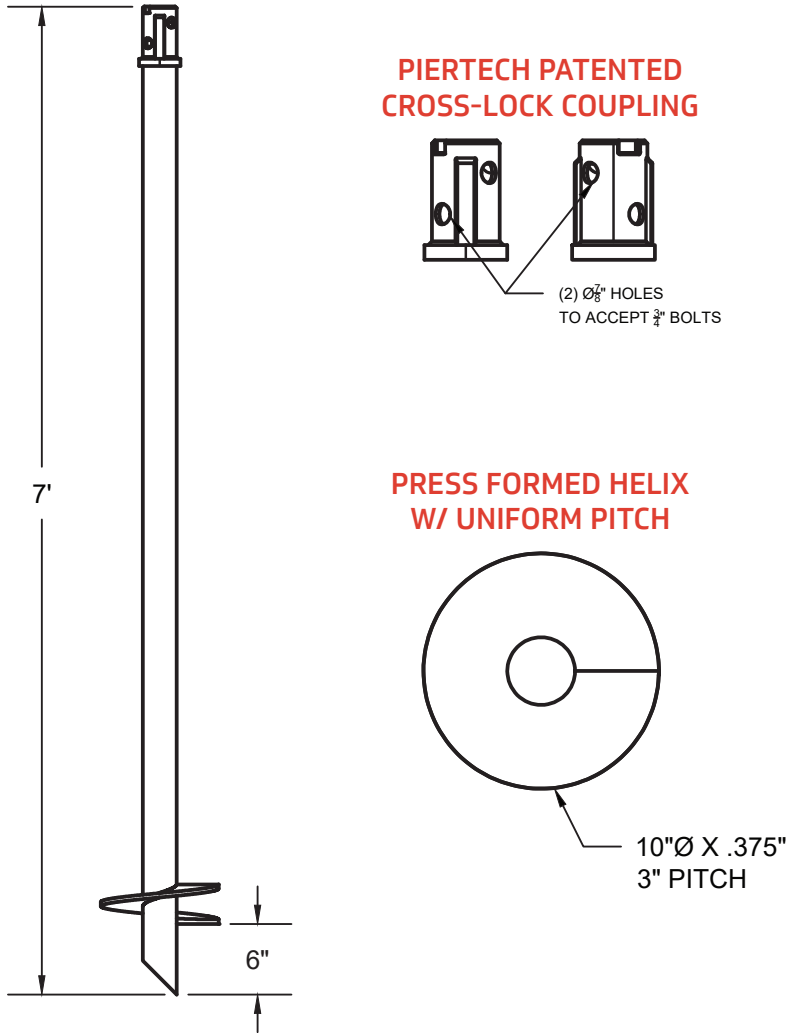
Bare Steel	
Hot-Dipped Galvanized per ASTM A123/153.	

*Based on 50 years per AC358

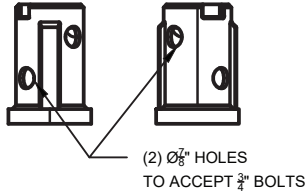
SINGLE HELIX LEADS

2-7/8" 7FT. 10" HELIX LEAD

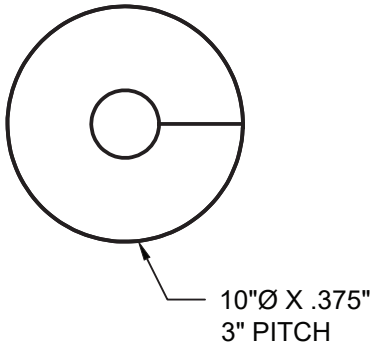
2.88-L710G or 2.88-L710B



**PIERTECH PATENTED
CROSS-LOCK COUPLING**



**PRESS FORMED HELIX
W/ UNIFORM PITCH**



ICC ESR 3969 available upon special order request

PILE CAPACITY

Structural Capacity	50 kips(allowable), 100 kips(ultimate)
Torque Rating	8,800 ft-lbs
k_t Factor	9 ft ⁻¹

Geotechnical Capacity

Compression	39.6 kips (allowable), 79.2 kips (ultimate)
Tension	34.4 kips (allowable), 68.8 kips (ultimate)

PRODUCT SPECIFICATIONS

Shaft Properties

Nominal Shaft OD	2.875"
Nominal Wall Thickness	0.217"
Design Wall Thickness	0.202"
Corroded Wall Thickness*	0.166"
Design Area Moment of Inertia	1.52 in. ⁴
Corroded Area Moment of Inertia*	1.25
Design Section Modulus	1.06 in. ³
Corroded Section Modulus*	0.88 in. ³
Shaft Min. Yield Strength	60 ksi
Shaft Min. Ultimate Strength	63 ksi

Helix Properties

Standard Plate Thickness	0.375"
Available Plate Thicknesses	0.5" 0.625" 0.75"
Plate Min. Yield Strength	50 ksi
Standard Helix Pitch	3"
Cutting Profile Options	Standard V-Cut Seashell Cut

Connection Details

Coupling	Piertech Patented Cross-lock
Hardware	(2) 3/4"Ø Grade 5 Min.

Coating Options

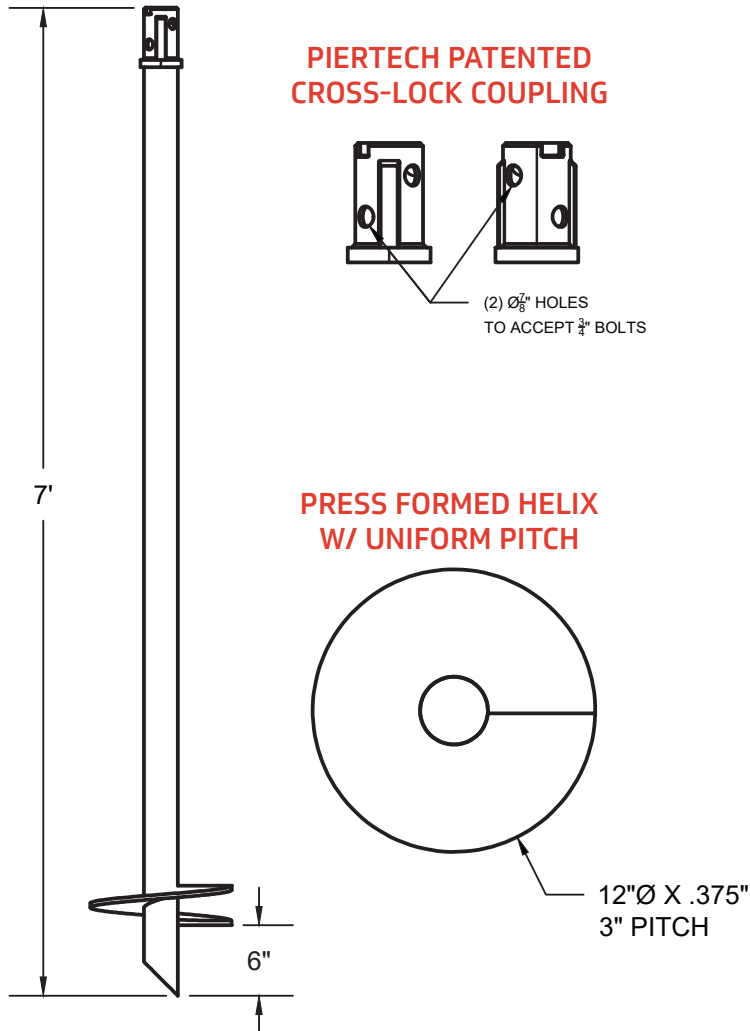
Bare Steel
Hot-Dipped Galvanized per ASTM A123/153.

*Based on 50 years per AC358

SINGLE HELIX LEADS

2-7/8" 7FT. 12" HELIX LEAD

2.88-L712G or 2.88-L712B



ICC ESR 3969 available upon special order request

PILE CAPACITY

Structural Capacity	50 kips(allowable), 100 kips(ultimate)
Torque Rating	8,800 ft-lbs
k_t Factor	9 ft ⁻¹

Geotechnical Capacity

Compression	39.6 kips (allowable), 79.2 kips (ultimate)
Tension	34.4 kips (allowable), 68.8 kips (ultimate)

PRODUCT SPECIFICATIONS

Shaft Properties

Nominal Shaft OD	2.875"
Nominal Wall Thickness	0.217"
Design Wall Thickness	0.202"
Corroded Wall Thickness*	0.166"
Design Area Moment of Inertia	1.52 in. ⁴
Corroded Area Moment of Inertia*	1.25
Design Section Modulus	1.06 in. ³
Corroded Section Modulus*	0.88 in. ³
Shaft Min. Yield Strength	60 ksi
Shaft Min. Ultimate Strength	63 ksi

Helix Properties

Standard Plate Thickness	0.375"
Available Plate Thicknesses	0.5" 0.625" 0.75"
Plate Min. Yield Strength	50 ksi
Standard Helix Pitch	3"
Cutting Profile Options	Standard V-Cut Seashell Cut

Connection Details

Coupling	Piertech Patented Cross-lock
Hardware	(2) 3/4"Ø Grade 5 Min.

Coating Options

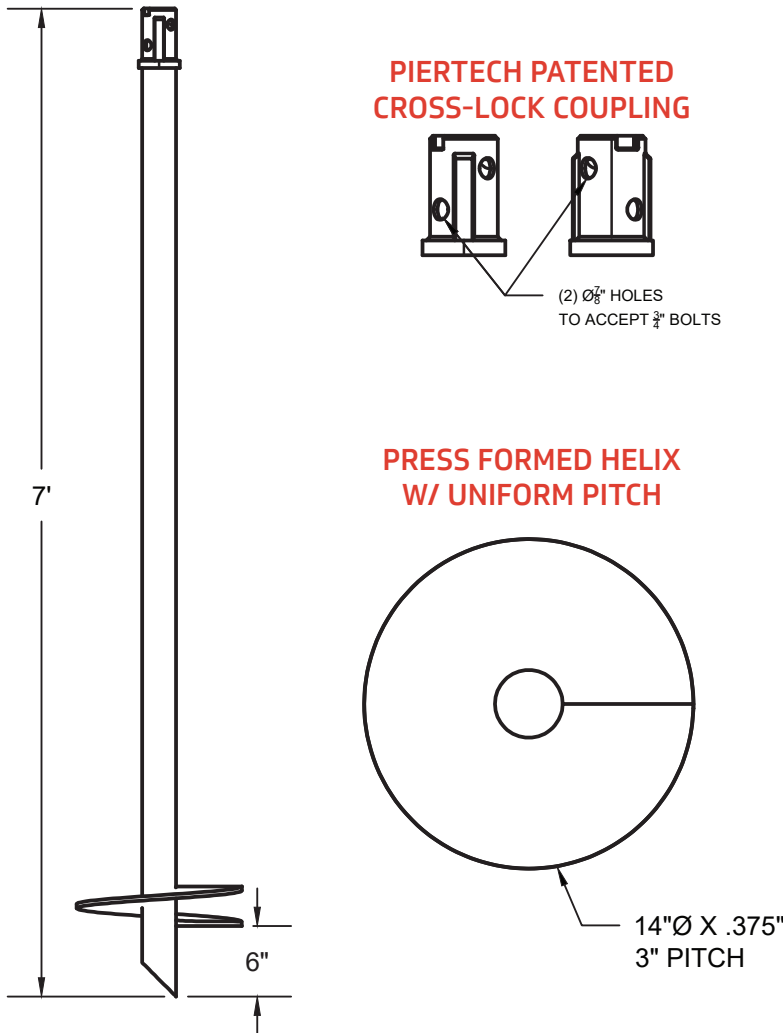
Bare Steel
Hot-Dipped Galvanized per ASTM A123/153.

*Based on 50 years per AC358

SINGLE HELIX LEADS

2-7/8" 7FT. 14" HELIX LEAD

2.88-L714G or 2.88-L714B



ICC ESR 3969 available upon special order request

PILE CAPACITY

Structural Capacity	50 kips(allowable), 100 kips(ultimate)
Torque Rating	8,800 ft-lbs
k_t Factor	9 ft ⁻¹

Geotechnical Capacity

Compression	39.6 kips (allowable), 79.2 kips (ultimate)
Tension	34.4 kips (allowable), 68.8 kips (ultimate)

PRODUCT SPECIFICATIONS

Shaft Properties

Nominal Shaft OD	2.875"
Nominal Wall Thickness	0.217"
Design Wall Thickness	0.202"
Corroded Wall Thickness*	0.166"
Design Area Moment of Inertia	1.52 in. ⁴
Corroded Area Moment of Inertia*	1.25
Design Section Modulus	1.06 in. ³
Corroded Section Modulus*	0.88 in. ³
Shaft Min. Yield Strength	60 ksi
Shaft Min. Ultimate Strength	63 ksi

Helix Properties

Standard Plate Thickness	0.375"
Available Plate Thicknesses	0.5" 0.625" 0.75"
Plate Min. Yield Strength	50 ksi
Standard Helix Pitch	3"
Cutting Profile Options	Standard V-Cut Seashell Cut

Connection Details

Coupling	Piertech Patented Cross-lock
Hardware	(2) 3/4"Ø Grade 5 Min.

Coating Options

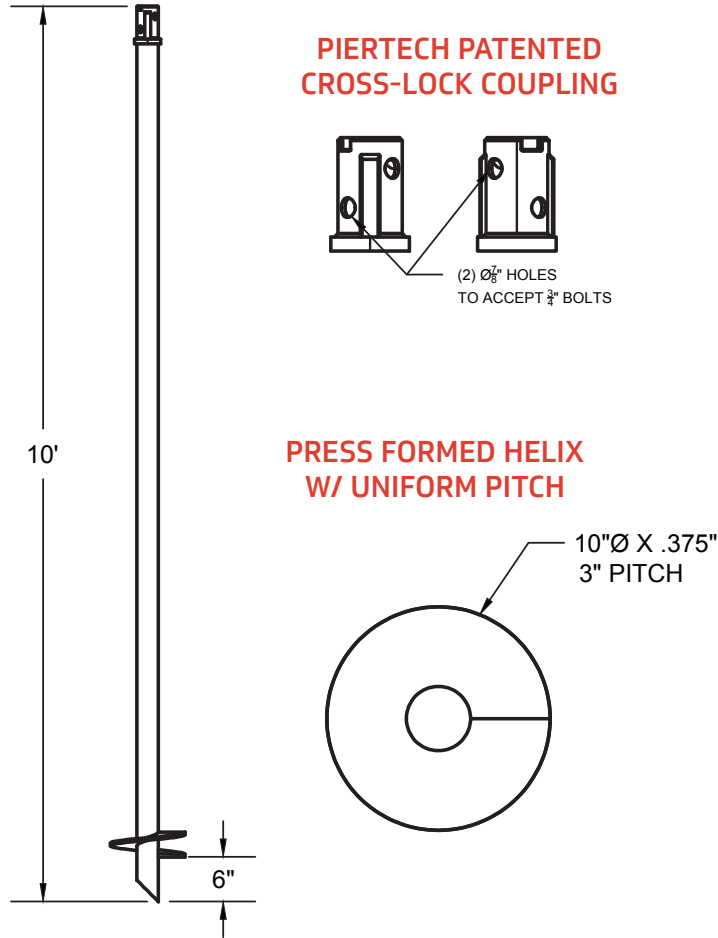
Bare Steel
Hot-Dipped Galvanized per ASTM A123/153.

*Based on 50 years per AC358

SINGLE HELIX LEADS

2-7/8" 10FT. 10" HELIX LEAD

2.88-L1010G or 2.88-L1010B



PRODUCT SPECIFICATIONS

Shaft Properties

Nominal Shaft OD	2.875"
Nominal Wall Thickness	0.217"
Design Wall Thickness	0.202"
Corroded Wall Thickness*	0.166"
Design Area Moment of Inertia	1.52 in. ⁴
Corroded Area Moment of Inertia*	1.25
Design Section Modulus	1.06 in. ³
Corroded Section Modulus*	0.88 in. ³
Shaft Min. Yield Strength	60 ksi
Shaft Min. Ultimate Strength	63 ksi

Helix Properties

Standard Plate Thickness	0.375"
Available Plate Thicknesses	0.5" 0.625" 0.75"
Plate Min. Yield Strength	50 ksi
Standard Helix Pitch	3"
Cutting Profile Options	Standard V-Cut Seashell Cut

Connection Details

Coupling	Piertech Patented Cross-lock
Hardware	(2) 3/4"Ø Grade 5 Min.

Coating Options

Bare Steel
Hot-Dipped Galvanized per ASTM A123/153.

*Based on 50 years per AC358

ICC ESR 3969 available upon special order request

PILE CAPACITY

Structural Capacity	50 kips(allowable), 100 kips(ultimate)
Torque Rating	8,800 ft-lbs
k _t Factor	9 ft ⁻¹

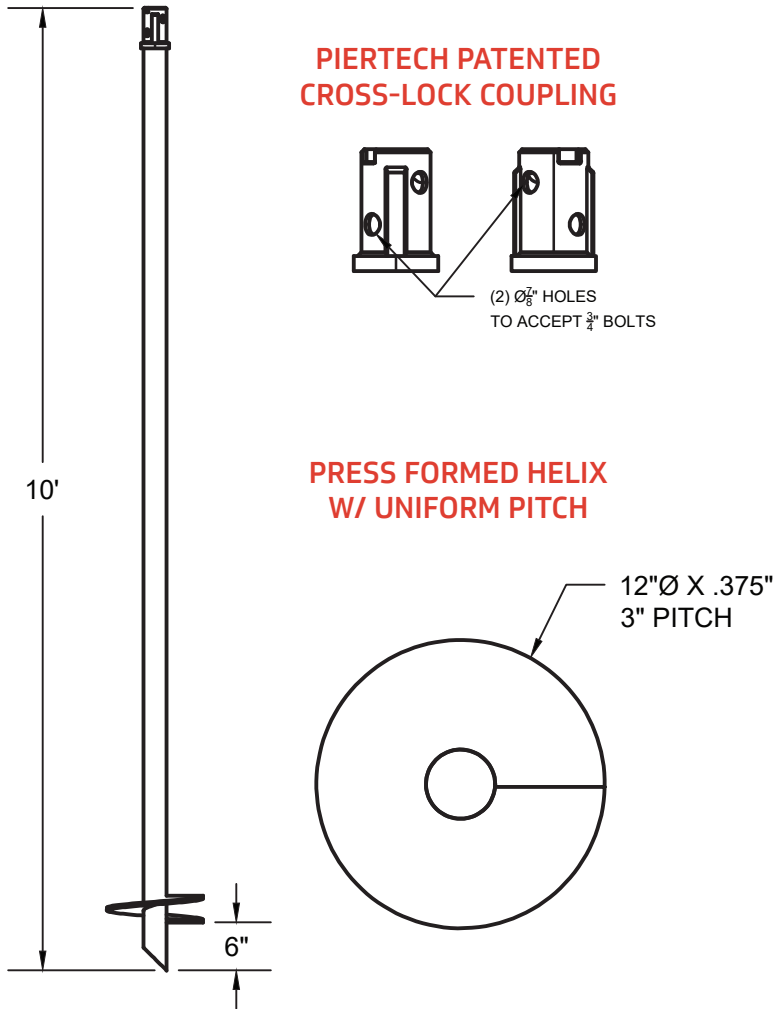
Geotechnical Capacity

Compression	39.6 kips (allowable), 79.2 kips (ultimate)
Tension	34.4 kips (allowable), 68.8 kips (ultimate)

SINGLE HELIX LEADS

2-7/8" 10FT. 12" HELIX LEAD

2.88-L1012G or 2.88-L1012B



ICC ESR 3969 available upon special order request

PILE CAPACITY

Structural Capacity	50 kips(allowable), 100 kips(ultimate)
Torque Rating	8,800 ft-lbs
k_t Factor	9 ft ⁻¹

Geotechnical Capacity

Compression	39.6 kips (allowable), 79.2 kips (ultimate)
Tension	34.4 kips (allowable), 68.8 kips (ultimate)

PRODUCT SPECIFICATIONS

Shaft Properties

Nominal Shaft OD	2.875"
Nominal Wall Thickness	0.217"
Design Wall Thickness	0.202"
Corroded Wall Thickness*	0.166"
Design Area Moment of Inertia	1.52 in. ⁴
Corroded Area Moment of Inertia*	1.25
Design Section Modulus	1.06 in. ³
Corroded Section Modulus*	0.88 in. ³
Shaft Min. Yield Strength	60 ksi
Shaft Min. Ultimate Strength	63 ksi

Helix Properties

Standard Plate Thickness	0.375"
Available Plate Thicknesses	0.5" 0.625" 0.75"
Plate Min. Yield Strength	50 ksi
Standard Helix Pitch	3"
Cutting Profile Options	Standard V-Cut Seashell Cut

Connection Details

Coupling	Piertech Patented Cross-lock
Hardware	(2) 3/4"Ø Grade 5 Min.

Coating Options

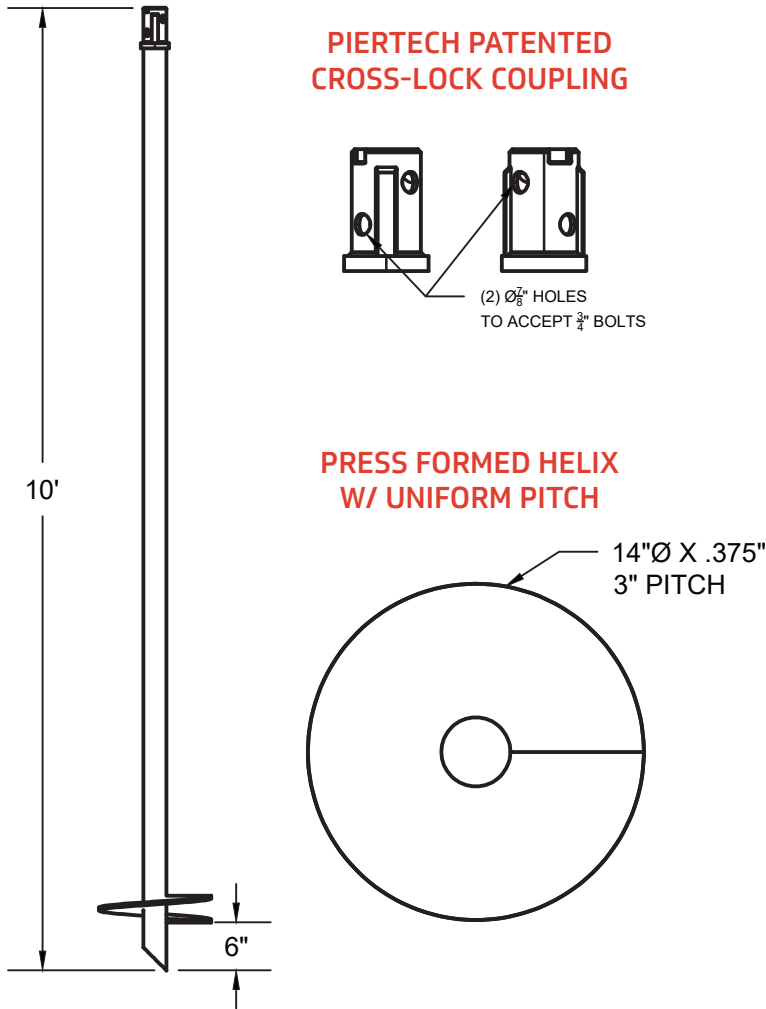
Bare Steel
Hot-Dipped Galvanized per ASTM A123/153.

*Based on 50 years per AC358

SINGLE HELIX LEADS

2-7/8" 10FT. 14" HELIX LEAD

2.88-L1014G or 2.88-L1014B



ICC ESR 3969 available upon special order request

PILE CAPACITY

Structural Capacity	50 kips(allowable), 100 kips(ultimate)
Torque Rating	8,800 ft-lbs
k_t Factor	9 ft ⁻¹

Geotechnical Capacity

Compression	39.6 kips (allowable), 79.2 kips (ultimate)
Tension	34.4 kips (allowable), 68.8 kips (ultimate)

PRODUCT SPECIFICATIONS

Shaft Properties

Nominal Shaft OD	2.875"
Nominal Wall Thickness	0.217"
Design Wall Thickness	0.202"
Corroded Wall Thickness*	0.166"
Design Area Moment of Inertia	1.52 in. ⁴
Corroded Area Moment of Inertia*	1.25
Design Section Modulus	1.06 in. ³
Corroded Section Modulus*	0.88 in. ³
Shaft Min. Yield Strength	60 ksi
Shaft Min. Ultimate Strength	63 ksi

Helix Properties

Standard Plate Thickness	0.375"
Available Plate Thicknesses	0.5" 0.625" 0.75"
Plate Min. Yield Strength	50 ksi
Standard Helix Pitch	3"
Cutting Profile Options	Standard V-Cut Seashell Cut

Connection Details

Coupling	Piertech Patented Cross-lock
Hardware	(2) 3/4"Ø Grade 5 Min.

Coating Options

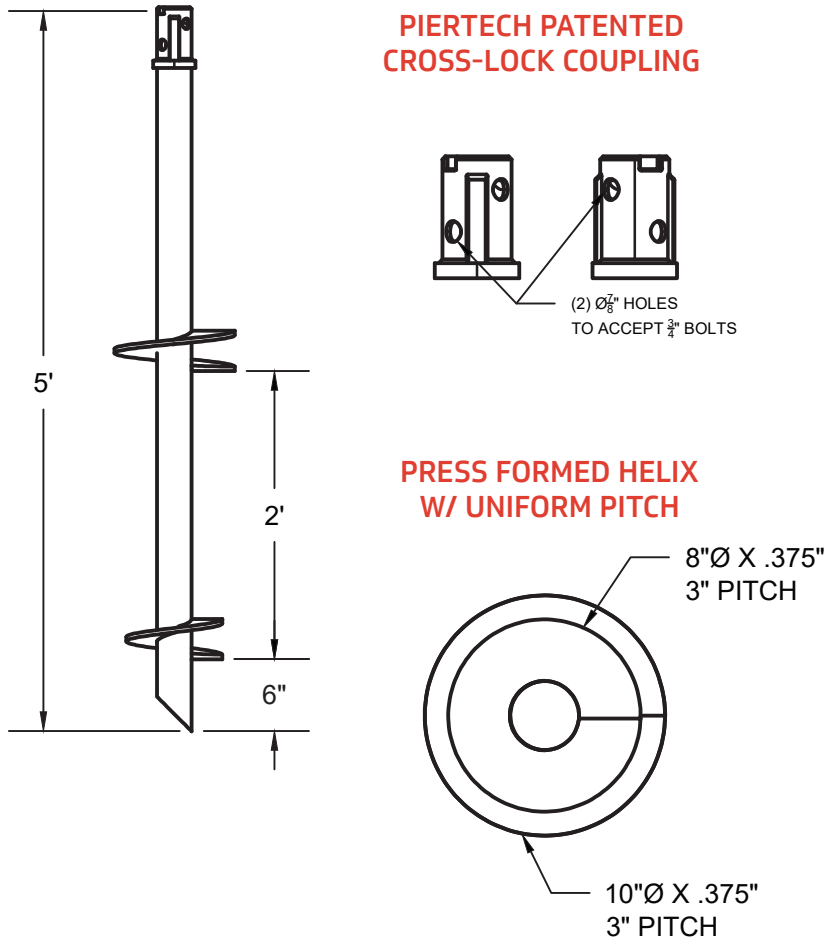
Bare Steel
Hot-Dipped Galvanized per ASTM A123/153.

*Based on 50 years per AC358

DOUBLE HELIX LEADS

2-7/8" 5FT. 8"-10" HELIX LEAD

2.88-L5810G or 2.88-L5810B



ICC ESR 3969 available upon special order request

PILE CAPACITY

Structural Capacity	50 kips(allowable), 100 kips(ultimate)
Torque Rating	8,800 ft-lbs
k_t Factor	9 ft ⁻¹

Geotechnical Capacity

Compression	39.6 kips (allowable), 79.2 kips (ultimate)
Tension	34.4 kips (allowable), 68.8 kips (ultimate)

PRODUCT SPECIFICATIONS

Shaft Properties

Nominal Shaft OD	2.875"
Nominal Wall Thickness	0.217"
Design Wall Thickness	0.202"
Corroded Wall Thickness*	0.166"
Design Area Moment of Inertia	1.52 in. ⁴
Corroded Area Moment of Inertia*	1.25
Design Section Modulus	1.06 in. ³
Corroded Section Modulus*	0.88 in. ³
Shaft Min. Yield Strength	60 ksi
Shaft Min. Ultimate Strength	63 ksi

Helix Properties

Standard Plate Thickness	0.375"
Available Plate Thicknesses	0.5" 0.625" 0.75"
Plate Min. Yield Strength	50 ksi
Standard Helix Pitch	3"
Cutting Profile Options	Standard V-Cut Seashell Cut

Connection Details

Coupling	Piertech Patented Cross-lock
Hardware	(2) 3/4"Ø Grade 5 Min.

Coating Options

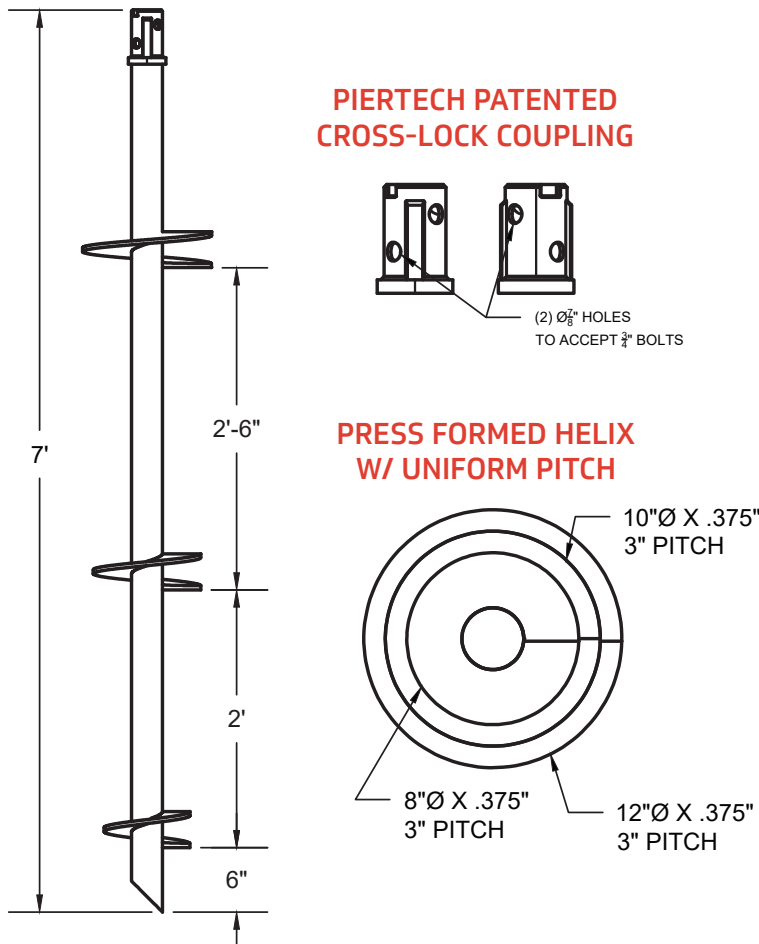
Bare Steel
Hot-Dipped Galvanized per ASTM A123/153.

*Based on 50 years per AC358

DOUBLE HELIX LEADS

2.88-L7810G or 2.88-L7810B

2-7/8" 7FT. 8"-10" HELIX LEAD



ICC ESR 3969 available upon special order request

PILE CAPACITY

Structural Capacity	50 kips(allowable), 100 kips(ultimate)
Torque Rating	8,800 ft-lbs
k_t Factor	9 ft ⁻¹

Geotechnical Capacity

Compression	39.6 kips (allowable), 79.2 kips (ultimate)
Tension	34.4 kips (allowable), 68.8 kips (ultimate)

PRODUCT SPECIFICATIONS

Shaft Properties

Nominal Shaft OD	2.875"
Nominal Wall Thickness	0.217"
Design Wall Thickness	0.202"
Corroded Wall Thickness*	0.166"
Design Area Moment of Inertia	1.52 in. ⁴
Corroded Area Moment of Inertia*	1.25 in. ⁴
Design Section Modulus	1.06 in. ³
Corroded Section Modulus*	0.88 in. ³
Shaft Min. Yield Strength	60 ksi
Shaft Min. Ultimate Strength	63 ksi

Helix Properties

Standard Plate Thickness	0.375"
Available Plate Thicknesses	0.5" 0.625" 0.75"
Plate Min. Yield Strength	50 ksi
Standard Helix Pitch	3"
Cutting Profile Options	Standard V-Cut Seashell Cut

Connection Details

Coupling	Piertech Patented Cross-lock
Hardware	(2) 3/4"Ø Grade 5 Min.

Coating Options

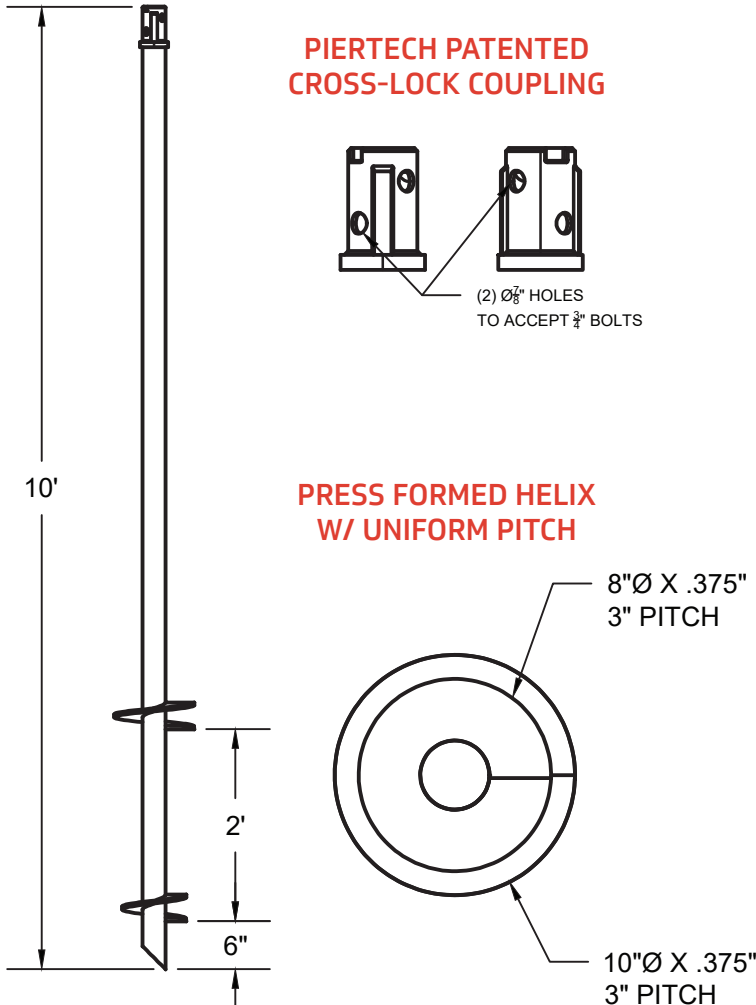
Bare Steel
Hot-Dipped Galvanized per ASTM A123/153.

*Based on 50 years per AC358

DOUBLE HELIX LEADS

2-7/8" 10FT. 8"-10" HELIX LEAD

2.88-L10810G or 2.88-L10810B



ICC ESR 3969 available upon special order request

PILE CAPACITY

Structural Capacity	50 kips(allowable), 100 kips(ultimate)
Torque Rating	8,800 ft-lbs
k_t Factor	9 ft ⁻¹

Geotechnical Capacity

Compression	39.6 kips (allowable), 79.2 kips (ultimate)
Tension	34.4 kips (allowable), 68.8 kips (ultimate)

PRODUCT SPECIFICATIONS

Shaft Properties

Nominal Shaft OD	2.875"
Nominal Wall Thickness	0.217"
Design Wall Thickness	0.202"
Corroded Wall Thickness*	0.166"
Design Area Moment of Inertia	1.52 in. ⁴
Corroded Area Moment of Inertia*	1.25
Design Section Modulus	1.06 in. ³
Corroded Section Modulus*	0.88 in. ³
Shaft Min. Yield Strength	60 ksi
Shaft Min. Ultimate Strength	63 ksi

Helix Properties

Standard Plate Thickness	0.375"
Available Plate Thicknesses	0.5" 0.625" 0.75"
Plate Min. Yield Strength	50 ksi
Standard Helix Pitch	3"
Cutting Profile Options	Standard V-Cut Seashell Cut

Connection Details

Coupling	Piertech Patented Cross-lock
Hardware	(2) 3/4"Ø Grade 5 Min.

Coating Options

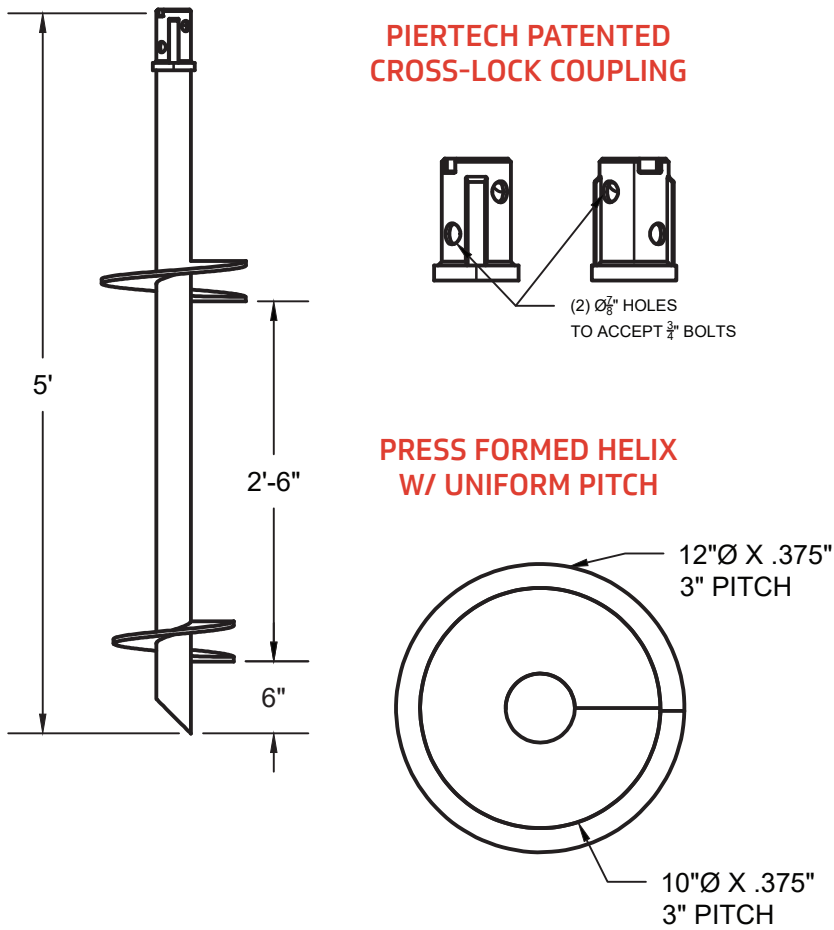
Bare Steel
Hot-Dipped Galvanized per ASTM A123/153.

*Based on 50 years per AC358

DOUBLE HELIX LEADS

2.88-L51012G or 2.88-L51012B

2-7/8" 5FT. 10"-12" HELIX LEAD



ICC ESR 3969 available upon special order request

PILE CAPACITY

Structural Capacity	50 kips(allowable), 100 kips(ultimate)
Torque Rating	8,800 ft-lbs
k_t Factor	9 ft ⁻¹

Geotechnical Capacity

Compression	39.6 kips (allowable), 79.2 kips (ultimate)
Tension	34.4 kips (allowable), 68.8 kips (ultimate)

PRODUCT SPECIFICATIONS

Shaft Properties

Nominal Shaft OD	2.875"
Nominal Wall Thickness	0.217"
Design Wall Thickness	0.202"
Corroded Wall Thickness*	0.166"
Design Area Moment of Inertia	1.52 in. ⁴
Corroded Area Moment of Inertia*	1.25
Design Section Modulus	1.06 in. ³
Corroded Section Modulus*	0.88 in. ³
Shaft Min. Yield Strength	60 ksi
Shaft Min. Ultimate Strength	63 ksi

Helix Properties

Standard Plate Thickness	0.375"
Available Plate Thicknesses	0.5" 0.625" 0.75"
Plate Min. Yield Strength	50 ksi
Standard Helix Pitch	3"
Cutting Profile Options	Standard V-Cut Seashell Cut

Connection Details

Coupling	Piertech Patented Cross-lock
Hardware	(2) 3/4"Ø Grade 5 Min.

Coating Options

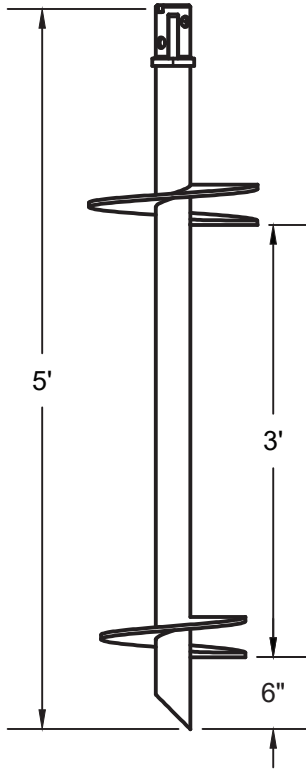
Bare Steel
Hot-Dipped Galvanized per ASTM A123/153.

*Based on 50 years per AC358

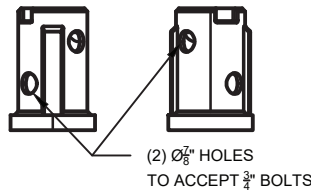
DOUBLE HELIX LEADS

2-7/8" 5FT. 12"-14" HELIX LEAD

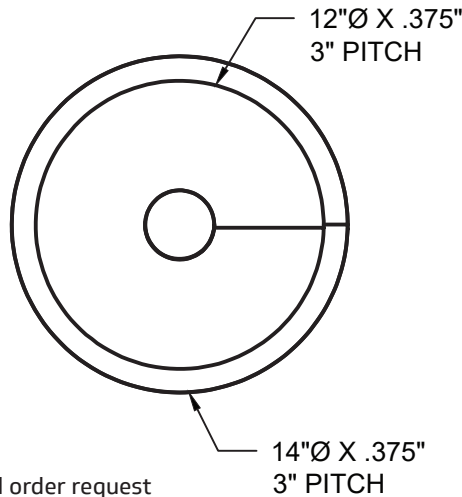
2.88-L51214G or 2.88-L51214B



**PIERTECH PATENTED
CROSS-LOCK COUPLING**



**PRESS FORMED HELIX
W/ UNIFORM PITCH**



ICC ESR 3969 available upon special order request

PILE CAPACITY

Structural Capacity	50 kips(allowable), 100 kips(ultimate)
Torque Rating	8,800 ft-lbs
k_t Factor	9 ft ⁻¹

Geotechnical Capacity

Compression	39.6 kips (allowable), 79.2 kips (ultimate)
Tension	34.4 kips (allowable), 68.8 kips (ultimate)

PRODUCT SPECIFICATIONS

Shaft Properties

Nominal Shaft OD	2.875"
Nominal Wall Thickness	0.217"
Design Wall Thickness	0.202"
Corroded Wall Thickness*	0.166"
Design Area Moment of Inertia	1.52 in. ⁴
Corroded Area Moment of Inertia*	1.25
Design Section Modulus	1.06 in. ³
Corroded Section Modulus*	0.88 in. ³
Shaft Min. Yield Strength	60 ksi
Shaft Min. Ultimate Strength	63 ksi

Helix Properties

Standard Plate Thickness	0.375"
Available Plate Thicknesses	0.5" 0.625" 0.75"
Plate Min. Yield Strength	50 ksi
Standard Helix Pitch	3"
Cutting Profile Options	Standard V-Cut Seashell Cut

Connection Details

Coupling	Piertech Patented Cross-lock
Hardware	(2) 3/4"Ø Grade 5 Min.

Coating Options

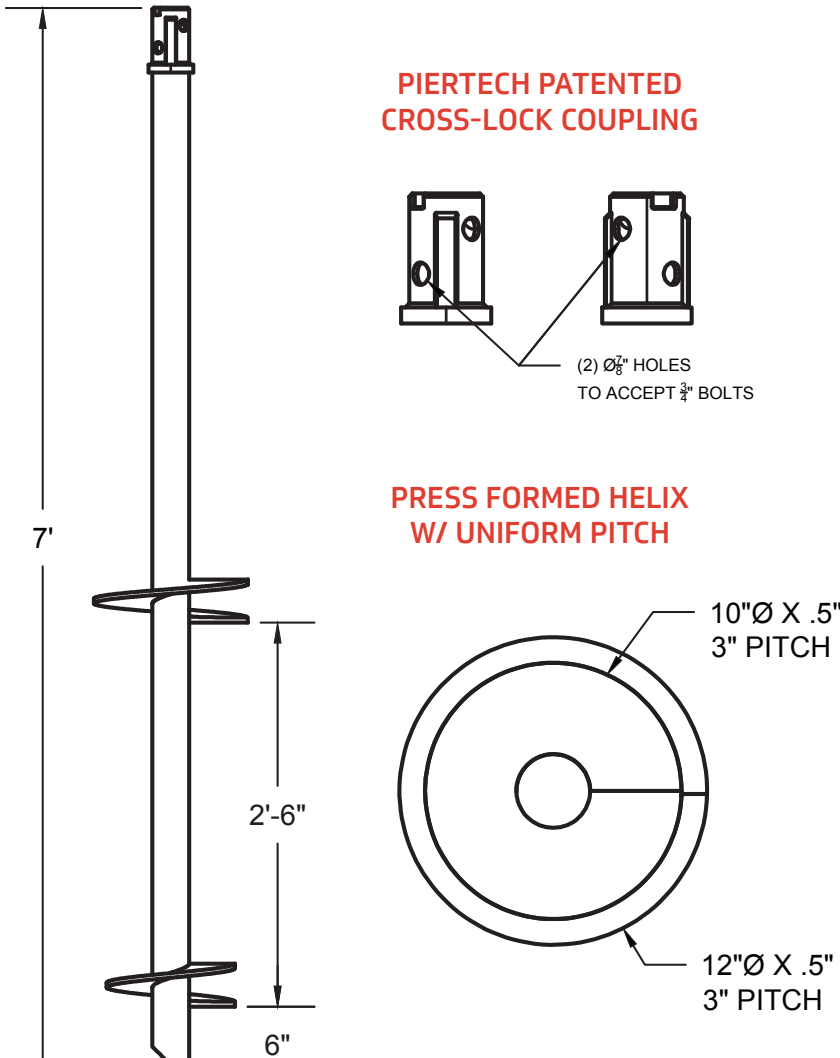
Bare Steel	
Hot-Dipped Galvanized per ASTM A123/153.	

*Based on 50 years per AC358

DOUBLE HELIX LEADS

2.88-L71012G or 2.88-L71012B

2-7/8" 7FT. 10"-12" HELIX LEAD



ICC ESR 3969 available upon special order request

PILE CAPACITY

Structural Capacity	50 kips(allowable), 100 kips(ultimate)
Torque Rating	8,800 ft-lbs
k_t Factor	9 ft ⁻¹

Geotechnical Capacity

Compression	39.6 kips (allowable), 79.2 kips (ultimate)
Tension	34.4 kips (allowable), 68.8 kips (ultimate)

PRODUCT SPECIFICATIONS

Shaft Properties

Nominal Shaft OD	2.875"
Nominal Wall Thickness	0.217"
Design Wall Thickness	0.202"
Corroded Wall Thickness*	0.166"
Design Area Moment of Inertia	1.52 in. ⁴
Corroded Area Moment of Inertia*	1.25
Design Section Modulus	1.06 in. ³
Corroded Section Modulus*	0.88 in. ³
Shaft Min. Yield Strength	60 ksi
Shaft Min. Ultimate Strength	63 ksi

Helix Properties

Standard Plate Thickness	0.375"
Available Plate Thicknesses	0.5" 0.625" 0.75"
Plate Min. Yield Strength	50 ksi
Standard Helix Pitch	3"
Cutting Profile Options	Standard V-Cut Seashell Cut

Connection Details

Coupling	Piertech Patented Cross-lock
Hardware	(2) 3/4"Ø Grade 5 Min.

Coating Options

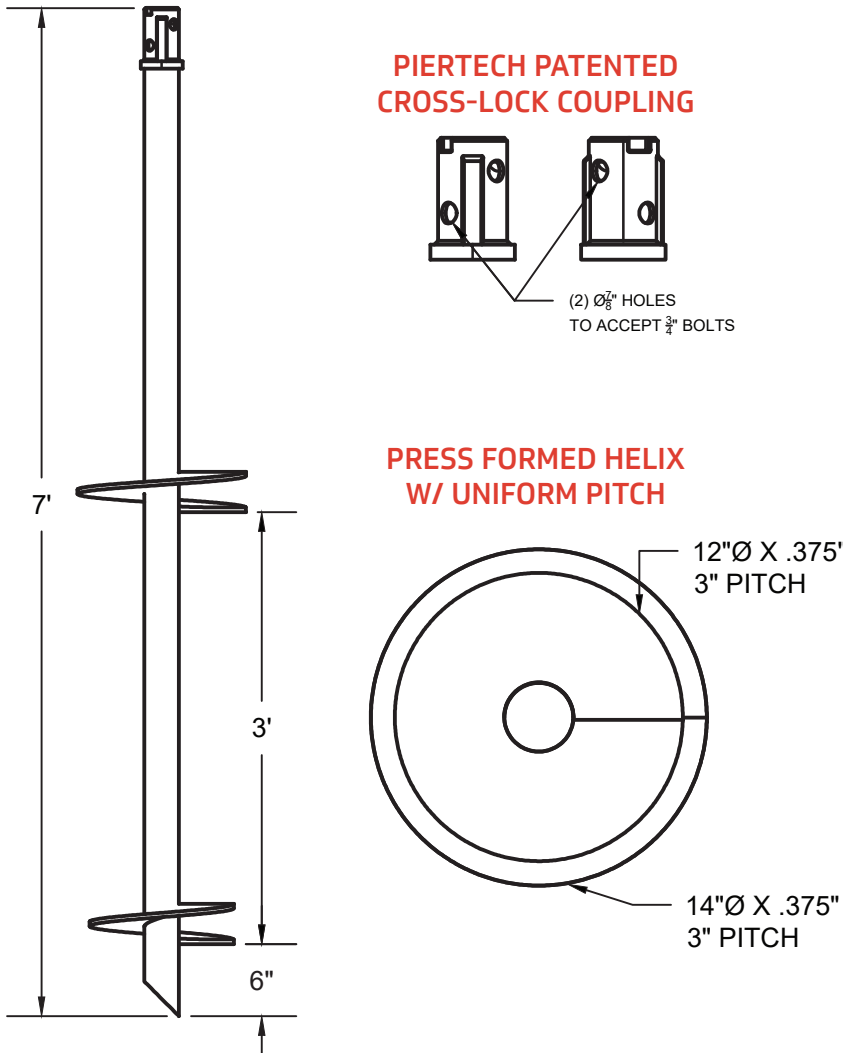
Bare Steel
Hot-Dipped Galvanized per ASTM A123/153.

*Based on 50 years per AC358

DOUBLE HELIX LEADS

2-7/8" 7FT. 12"-14" HELIX LEAD

2.88-L71214G or 2.88-L71214B



ICC ESR 3969 available upon special order request

PILE CAPACITY

Structural Capacity	50 kips(allowable), 100 kips(ultimate)
Torque Rating	8,800 ft-lbs
k_t Factor	9 ft ⁻¹

Geotechnical Capacity

Compression	39.6 kips (allowable), 79.2 kips (ultimate)
Tension	34.4 kips (allowable), 68.8 kips (ultimate)

PRODUCT SPECIFICATIONS

Shaft Properties

Nominal Shaft OD	2.875"
Nominal Wall Thickness	0.217"
Design Wall Thickness	0.202"
Corroded Wall Thickness*	0.166"
Design Area Moment of Inertia	1.52 in. ⁴
Corroded Area Moment of Inertia*	1.25
Design Section Modulus	1.06 in. ³
Corroded Section Modulus*	0.88 in. ³
Shaft Min. Yield Strength	60 ksi
Shaft Min. Ultimate Strength	63 ksi

Helix Properties

Standard Plate Thickness	0.375"
Available Plate Thicknesses	0.5" 0.625" 0.75"
Plate Min. Yield Strength	50 ksi
Standard Helix Pitch	3"
Cutting Profile Options	Standard V-Cut Seashell Cut

Connection Details

Coupling	Piertech Patented Cross-lock
Hardware	(2) 3/4"Ø Grade 5 Min.

Coating Options

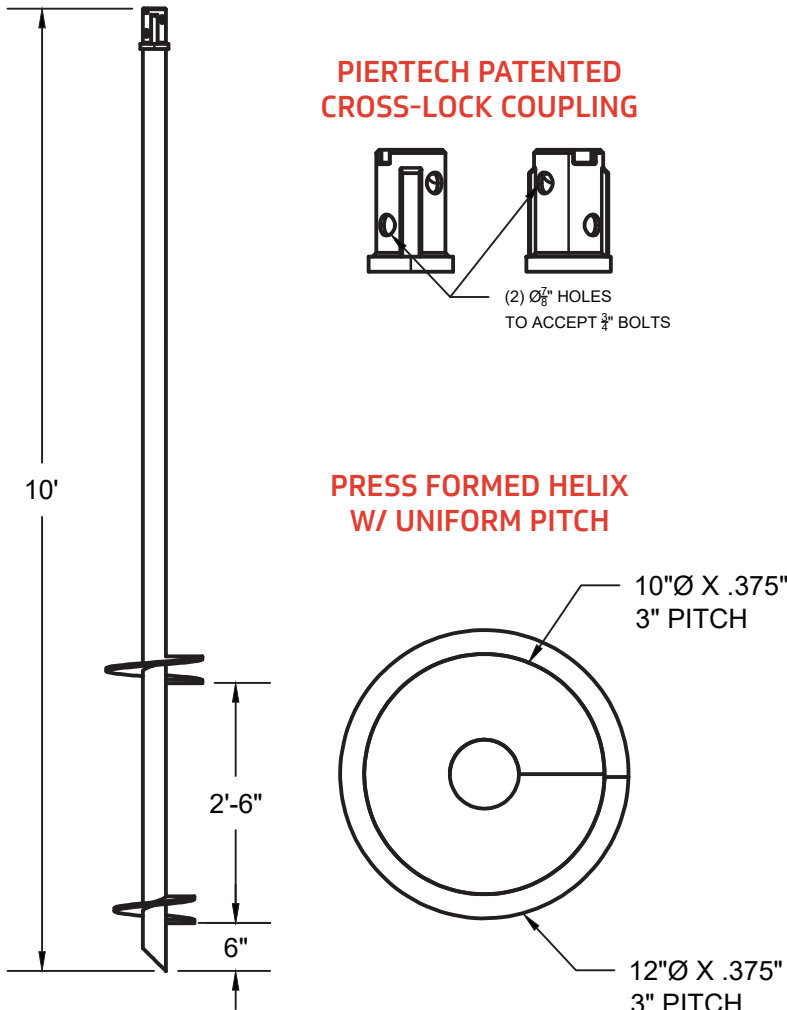
Bare Steel
Hot-Dipped Galvanized per ASTM A123/153.

*Based on 50 years per AC358

DOUBLE HELIX LEADS

2.88-L101012G or 2.88-L101012B

2-7/8" 10FT. 10"-12" HELIX LEAD



ICC ESR 3969 available upon special order request

PILE CAPACITY

Structural Capacity	50 kips(allowable), 100 kips(ultimate)
Torque Rating	8,800 ft-lbs
k_t Factor	9 ft ⁻¹

Geotechnical Capacity

Compression	39.6 kips (allowable), 79.2 kips (ultimate)
Tension	34.4 kips (allowable), 68.8 kips (ultimate)

PRODUCT SPECIFICATIONS

Shaft Properties

Nominal Shaft OD	2.875"
Nominal Wall Thickness	0.217"
Design Wall Thickness	0.202"
Corroded Wall Thickness*	0.166"
Design Area Moment of Inertia	1.52 in. ⁴
Corroded Area Moment of Inertia*	1.25
Design Section Modulus	1.06 in. ³
Corroded Section Modulus*	0.88 in. ³
Shaft Min. Yield Strength	60 ksi
Shaft Min. Ultimate Strength	63 ksi

Helix Properties

Standard Plate Thickness	0.375"
Available Plate Thicknesses	0.5" 0.625" 0.75"
Plate Min. Yield Strength	50 ksi
Standard Helix Pitch	3"
Cutting Profile Options	Standard V-Cut Seashell Cut

Connection Details

Coupling	Piertech Patented Cross-lock
Hardware	(2) 3/4"Ø Grade 5 Min.

Coating Options

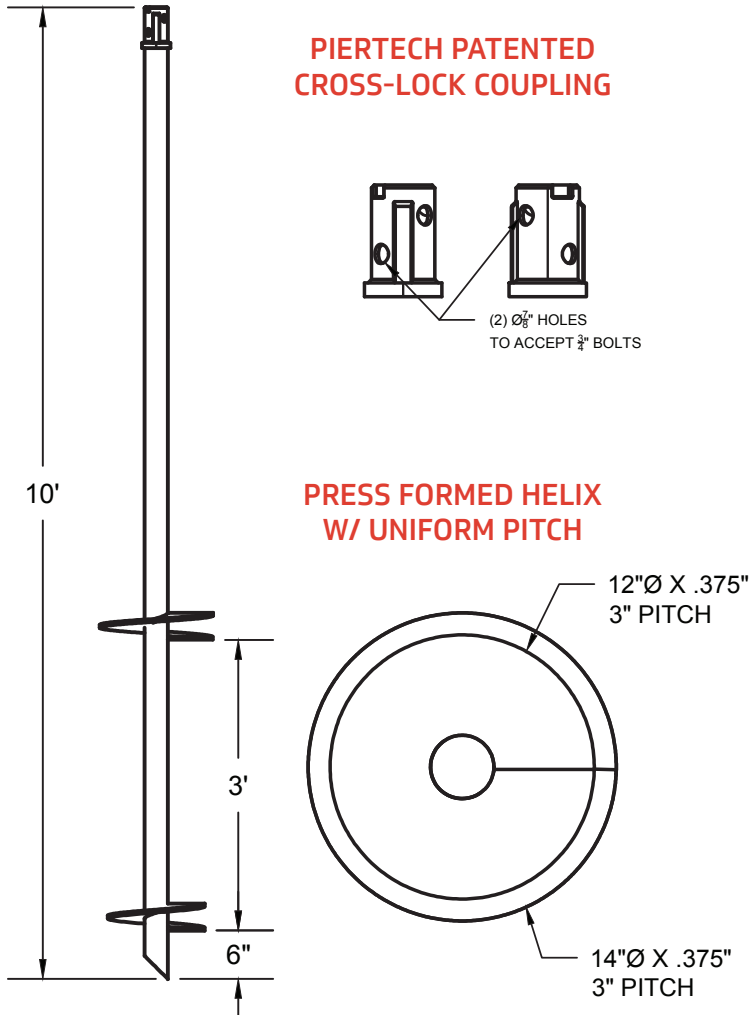
Bare Steel
Hot-Dipped Galvanized per ASTM A123/153.

*Based on 50 years per AC358

DOUBLE HELIX LEADS

2-7/8" 10FT. 12"-14" HELIX LEAD

2.88-L101214G or 2.88-L101214B



ICC ESR 3969 available upon special order request

PILE CAPACITY

Structural Capacity	50 kips(allowable), 100 kips(ultimate)
Torque Rating	8,800 ft-lbs
k_t Factor	9 ft ⁻¹

Geotechnical Capacity

Compression	39.6 kips (allowable), 79.2 kips (ultimate)
Tension	34.4 kips (allowable), 68.8 kips (ultimate)

PRODUCT SPECIFICATIONS

Shaft Properties

Nominal Shaft OD	2.875"
Nominal Wall Thickness	0.217"
Design Wall Thickness	0.202"
Corroded Wall Thickness*	0.166"
Design Area Moment of Inertia	1.52 in. ⁴
Corroded Area Moment of Inertia*	1.25
Design Section Modulus	1.06 in. ³
Corroded Section Modulus*	0.88 in. ³
Shaft Min. Yield Strength	60 ksi
Shaft Min. Ultimate Strength	63 ksi

Helix Properties

Standard Plate Thickness	0.375"
Available Plate Thicknesses	0.5" 0.625" 0.75"
Plate Min. Yield Strength	50 ksi
Standard Helix Pitch	3"
Cutting Profile Options	Standard V-Cut Seashell Cut

Connection Details

Coupling	Piertech Patented Cross-lock
Hardware	(2) 3/4"Ø Grade 5 Min.

Coating Options

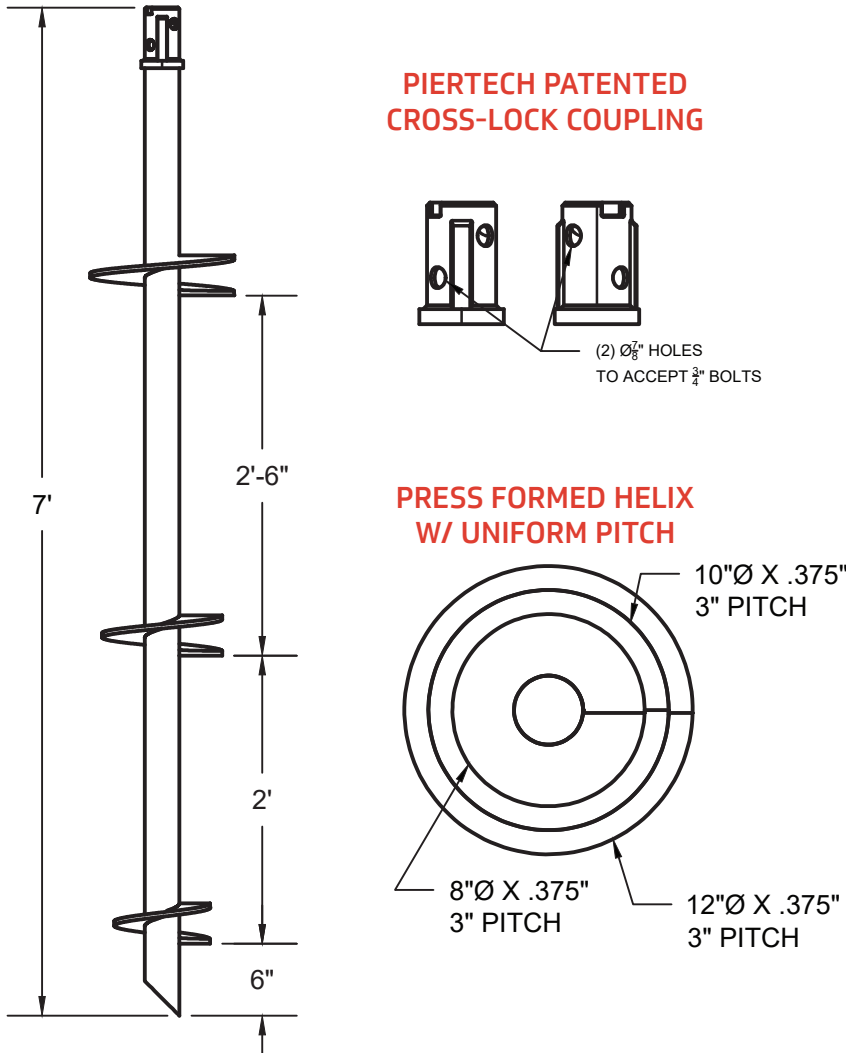
Bare Steel
Hot-Dipped Galvanized per ASTM A123/153.

*Based on 50 years per AC358

TRIPLE HELIX LEADS

2.88-L781012G or 2.88-L781012B

2-7/8" 7FT. 8"-10"-12" HELIX LEAD



ICC ESR 3969 available upon special order request

PILE CAPACITY

Structural Capacity	50 kips(allowable), 100 kips(ultimate)
Torque Rating	8,800 ft-lbs
k_t Factor	9 ft ⁻¹

Geotechnical Capacity

Compression	39.6 kips (allowable), 79.2 kips (ultimate)
Tension	34.4 kips (allowable), 68.8 kips (ultimate)

PRODUCT SPECIFICATIONS

Shaft Properties

Nominal Shaft OD	2.875"
Nominal Wall Thickness	0.217"
Design Wall Thickness	0.202"
Corroded Wall Thickness*	0.166"
Design Area Moment of Inertia	1.52 in. ⁴
Corroded Area Moment of Inertia*	1.25
Design Section Modulus	1.06 in. ³
Corroded Section Modulus*	0.88 in. ³
Shaft Min. Yield Strength	60 ksi
Shaft Min. Ultimate Strength	63 ksi

Helix Properties

Standard Plate Thickness	0.375"
Available Plate Thicknesses	0.5" 0.625" 0.75"
Plate Min. Yield Strength	50 ksi
Standard Helix Pitch	3"
Cutting Profile Options	Standard V-Cut Seashell Cut

Connection Details

Coupling	Piertech Patented Cross-lock
Hardware	(2) 3/4"Ø Grade 5 Min.

Coating Options

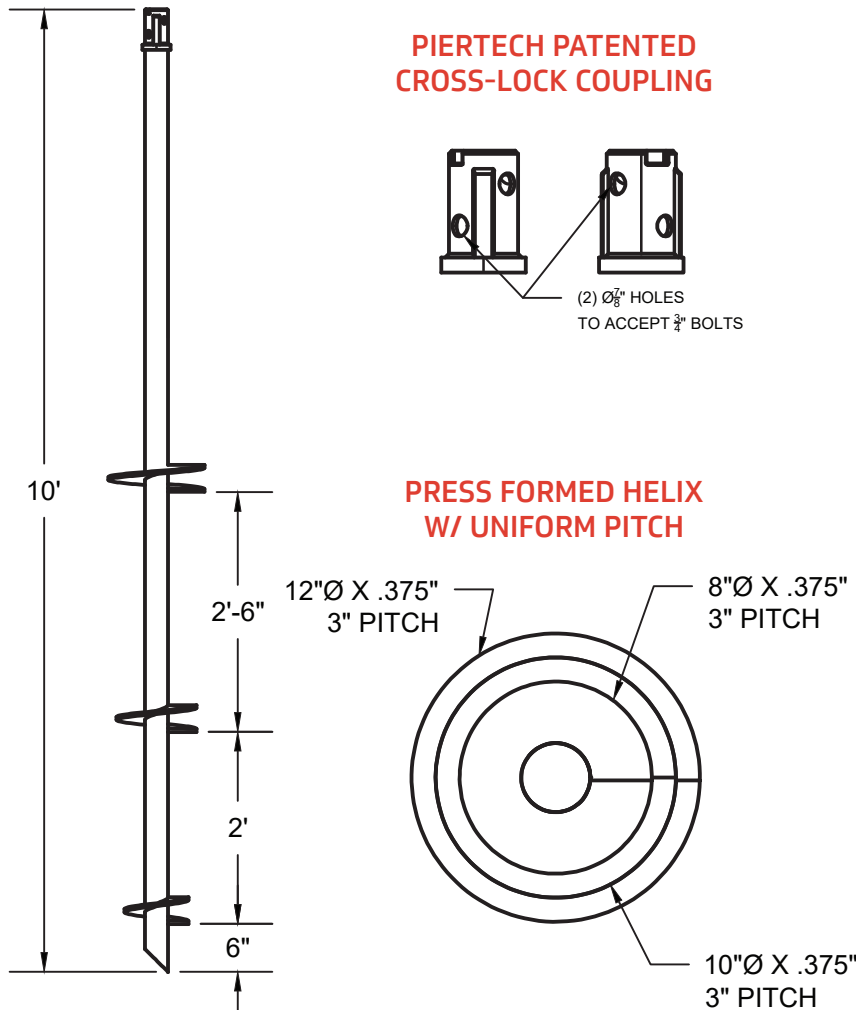
Bare Steel
Hot-Dipped Galvanized per ASTM A123/153.

*Based on 50 years per AC358

TRIPLE HELIX LEADS

2-7/8" 10FT. 8"-10"-12" HELIX LEAD

2.88-L1081012G or 2.88-L1081012B



ICC ESR 3969 available upon special order request

PILE CAPACITY

Structural Capacity	50 kips(allowable), 100 kips(ultimate)
Torque Rating	8,800 ft-lbs
k_t Factor	9 ft ⁻¹

Geotechnical Capacity

Compression	39.6 kips (allowable), 79.2 kips (ultimate)
Tension	34.4 kips (allowable), 68.8 kips (ultimate)

PRODUCT SPECIFICATIONS

Shaft Properties

Nominal Shaft OD	2.875"
Nominal Wall Thickness	0.217"
Design Wall Thickness	0.202"
Corroded Wall Thickness*	0.166"
Design Area Moment of Inertia	1.52 in. ⁴
Corroded Area Moment of Inertia*	1.25
Design Section Modulus	1.06 in. ³
Corroded Section Modulus*	0.88 in. ³
Shaft Min. Yield Strength	60 ksi
Shaft Min. Ultimate Strength	63 ksi

Helix Properties

Standard Plate Thickness	0.375"
Available Plate Thicknesses	0.5" 0.625" 0.75"
Plate Min. Yield Strength	50 ksi
Standard Helix Pitch	3"
Cutting Profile Options	Standard V-Cut Seashell Cut

Connection Details

Coupling	Piertech Patented Cross-lock
Hardware	(2) $\frac{3}{4}$ "Ø Grade 5 Min.

Coating Options

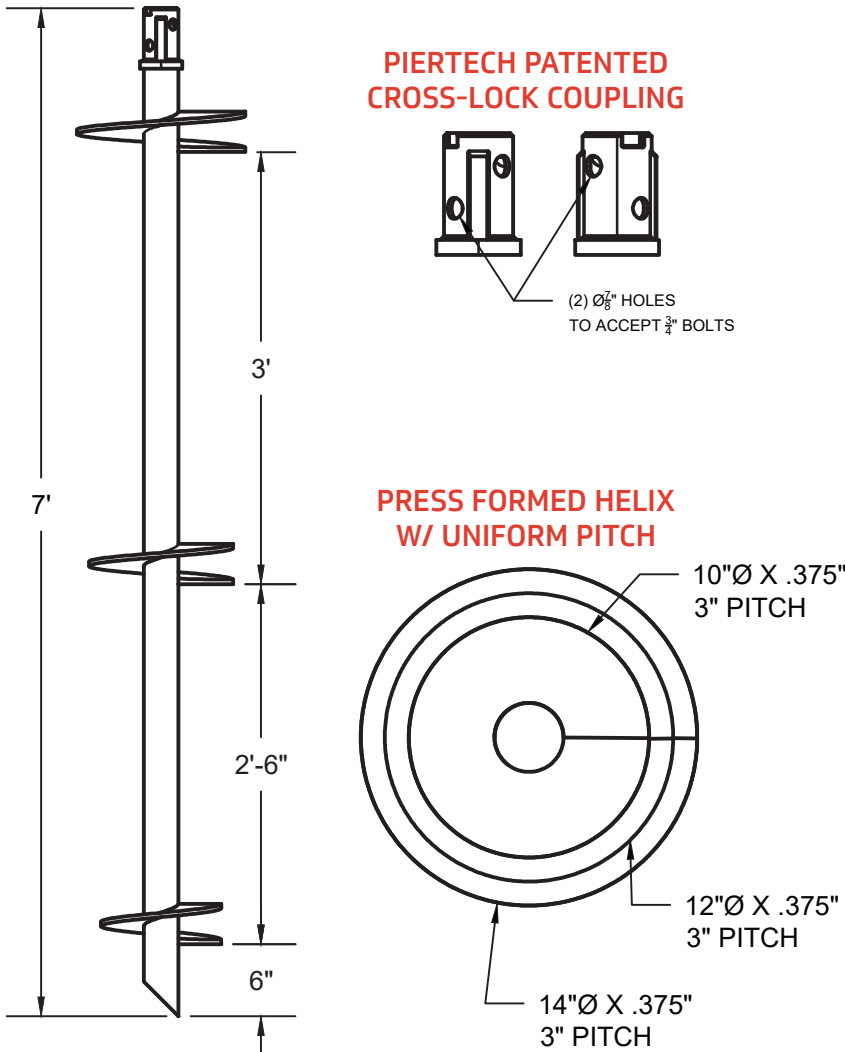
Bare Steel
Hot-Dipped Galvanized per ASTM A123/153.

*Based on 50 years per AC358

TRIPLE HELIX LEADS

2.88-L7101214G or 2.88-L7101214B

2-7/8" 7FT. 10"-12"-14" HELIX LEAD



ICC ESR 3969 available upon special order request

PILE CAPACITY

Structural Capacity	50 kips(allowable), 100 kips(ultimate)
Torque Rating	8,800 ft-lbs
k_t Factor	9 ft ⁻¹

Geotechnical Capacity

Compression	39.6 kips (allowable), 79.2 kips (ultimate)
Tension	34.4 kips (allowable), 68.8 kips (ultimate)

PRODUCT SPECIFICATIONS

Shaft Properties

Nominal Shaft OD	2.875"
Nominal Wall Thickness	0.217"
Design Wall Thickness	0.202"
Corroded Wall Thickness*	0.166"
Design Area Moment of Inertia	1.52 in. ⁴
Corroded Area Moment of Inertia*	1.25
Design Section Modulus	1.06 in. ³
Corroded Section Modulus*	0.88 in. ³
Shaft Min. Yield Strength	60 ksi
Shaft Min. Ultimate Strength	63 ksi

Helix Properties

Standard Plate Thickness	0.375"
Available Plate Thicknesses	0.5" 0.625" 0.75"
Plate Min. Yield Strength	50 ksi
Standard Helix Pitch	3"
Cutting Profile Options	Standard V-Cut Seashell Cut

Connection Details

Coupling	Piertech Patented Cross-lock
Hardware	(2) 3/4"Ø Grade 5 Min.

Coating Options

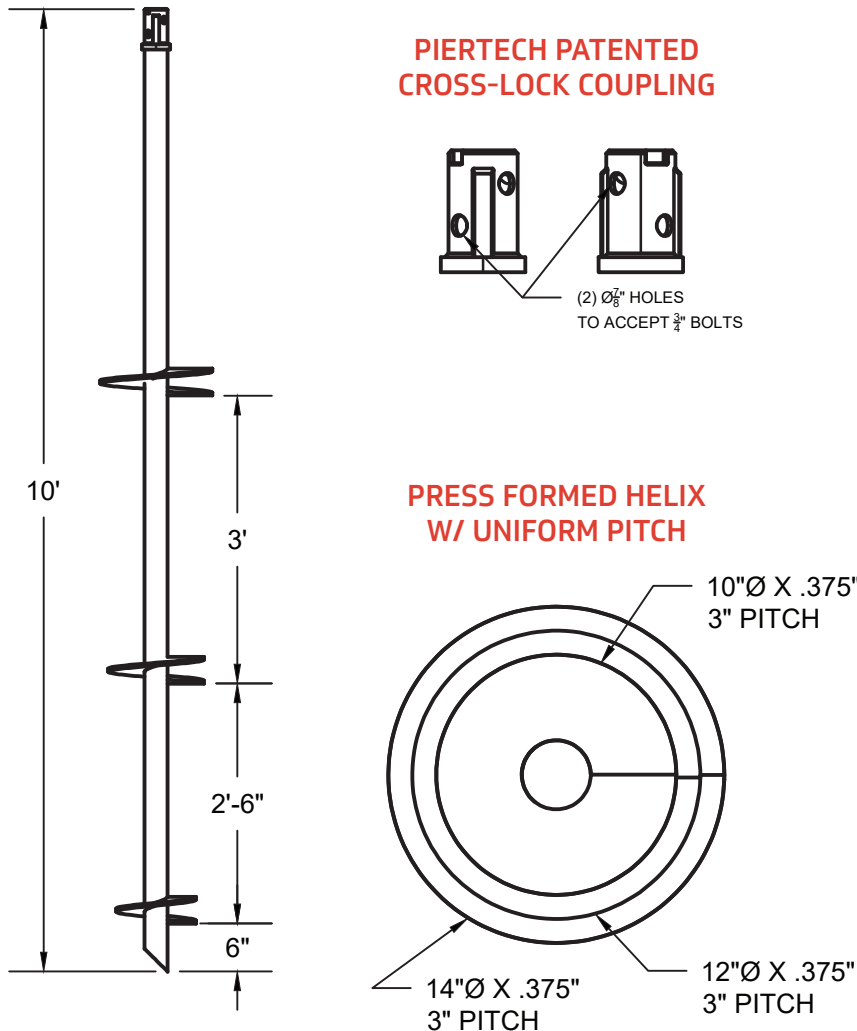
Bare Steel
Hot-Dipped Galvanized per ASTM A123/153.

*Based on 50 years per AC358

TRIPLE HELIX LEADS

2-7/8" 10FT. 10"-12"-14" HELIX LEAD

2.88-L10101214G or 2.88-L10101214B



ICC ESR 3969 available upon special order request

PILE CAPACITY

Structural Capacity	50 kips(allowable), 100 kips(ultimate)
Torque Rating	8,800 ft-lbs
k_t Factor	9 ft ⁻¹

Geotechnical Capacity

Compression	39.6 kips (allowable), 79.2 kips (ultimate)
Tension	34.4 kips (allowable), 68.8 kips (ultimate)

PRODUCT SPECIFICATIONS

Shaft Properties

Nominal Shaft OD	2.875"
Nominal Wall Thickness	0.217"
Design Wall Thickness	0.202"
Corroded Wall Thickness*	0.166"
Design Area Moment of Inertia	1.52 in. ⁴
Corroded Area Moment of Inertia*	1.25
Design Section Modulus	1.06 in. ³
Corroded Section Modulus*	0.88 in. ³
Shaft Min. Yield Strength	60 ksi
Shaft Min. Ultimate Strength	63 ksi

Helix Properties

Standard Plate Thickness	0.375"
Available Plate Thicknesses	0.5" 0.625" 0.75"
Plate Min. Yield Strength	50 ksi
Standard Helix Pitch	3"
Cutting Profile Options	Standard V-Cut Seashell Cut

Connection Details

Coupling	Piertech Patented Cross-lock
Hardware	(2) 3/4"Ø Grade 5 Min.

Coating Options

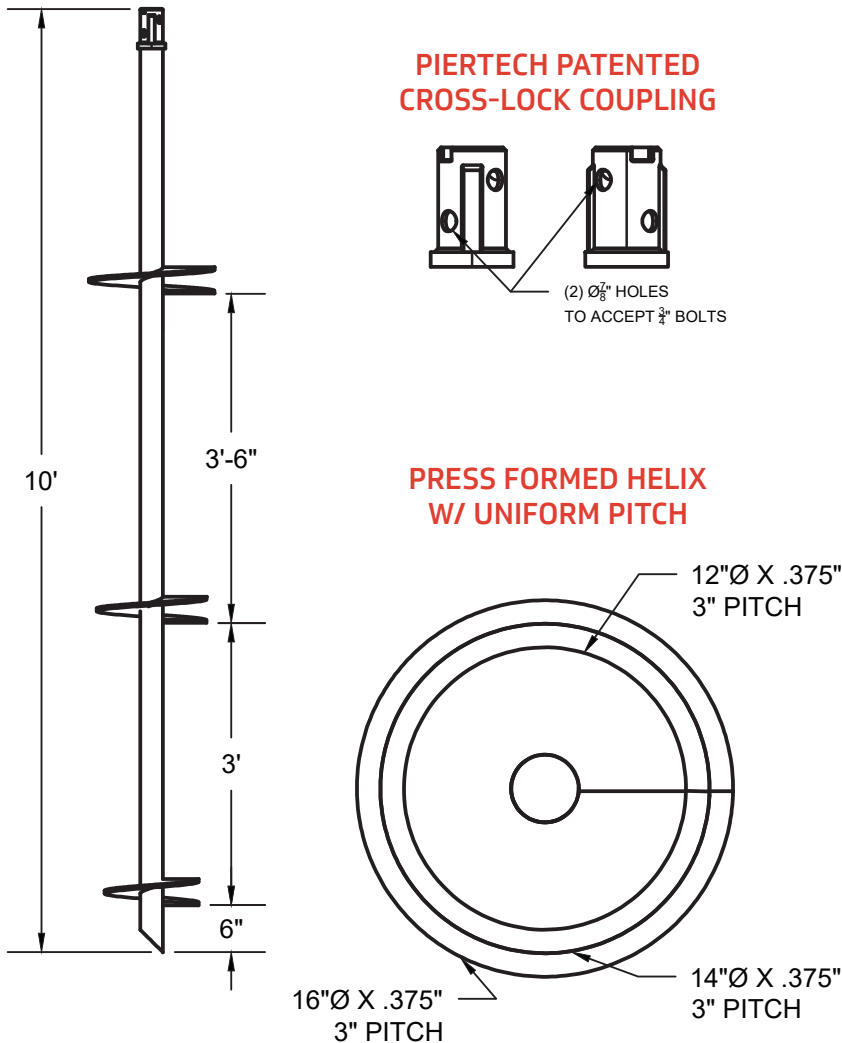
Bare Steel	
Hot-Dipped Galvanized per ASTM A123/153.	

*Based on 50 years per AC358

TRIPLE HELIX LEADS

2.88-L10121416G or 2.88-L10121416B

2-7/8" 10FT. 12"-14"-16" HELIX LEAD



PRODUCT SPECIFICATIONS

Shaft Properties

Nominal Shaft OD	2.875"
Nominal Wall Thickness	0.217"
Design Wall Thickness	0.202"
Corroded Wall Thickness*	0.166"
Design Area Moment of Inertia	1.52 in. ⁴
Corroded Area Moment of Inertia*	1.25
Design Section Modulus	1.06 in. ³
Corroded Section Modulus*	0.88 in. ³
Shaft Min. Yield Strength	60 ksi
Shaft Min. Ultimate Strength	63 ksi

Helix Properties

Standard Plate Thickness	0.375"
Available Plate Thicknesses	0.5" 0.625" 0.75"
Plate Min. Yield Strength	50 ksi
Standard Helix Pitch	3"
Cutting Profile Options	Standard V-Cut Seashell Cut

ICC ESR 3969 available upon special order request

PILE CAPACITY

Structural Capacity	50 kips(allowable), 100 kips(ultimate)
Torque Rating	8,800 ft-lbs
k _t Factor	9 ft ⁻¹

Geotechnical Capacity

Compression	39.6 kips (allowable), 79.2 kips (ultimate)
Tension	34.4 kips (allowable), 68.8 kips (ultimate)

Connection Details

Coupling	Piertech Patented Cross-lock
Hardware	(2) 3/4"Ø Grade 5 Min.

Coating Options

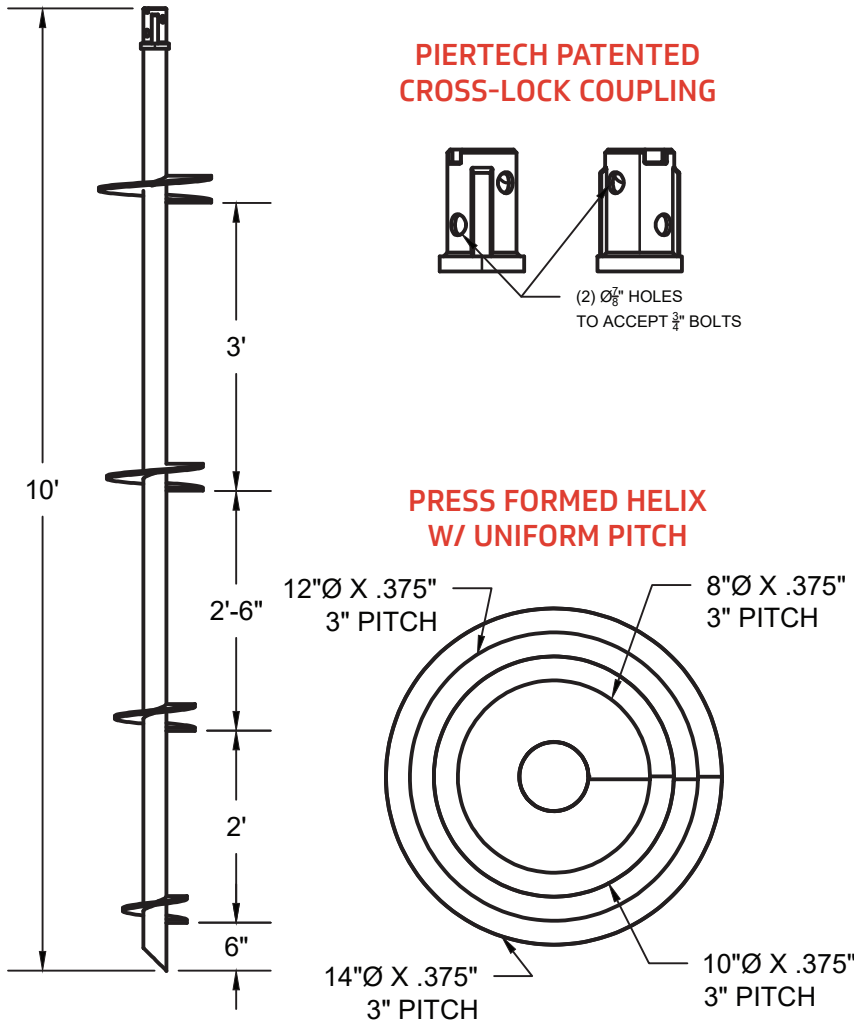
Bare Steel
Hot-Dipped Galvanized per ASTM A123/153.

*Based on 50 years per AC358

QUADRUPLE HELIX LEADS

2-7/8" 10FT. 8"-10"-12"-14" HELIX LEAD

2.88-L108101214G or
2.88-L108101214B



ICC ESR 3969 available upon special order request

PILE CAPACITY

Structural Capacity	50 kips(allowable), 100 kips(ultimate)
Torque Rating	8,800 ft-lbs
k_t Factor	9 ft ⁻¹

Geotechnical Capacity

Compression	39.6 kips (allowable), 79.2 kips (ultimate)
Tension	34.4 kips (allowable), 68.8 kips (ultimate)

PRODUCT SPECIFICATIONS

Shaft Properties

Nominal Shaft OD	2.875"
Nominal Wall Thickness	0.217"
Design Wall Thickness	0.202"
Corroded Wall Thickness*	0.166"
Design Area Moment of Inertia	1.52 in. ⁴
Corroded Area Moment of Inertia*	1.25
Design Section Modulus	1.06 in. ³
Corroded Section Modulus*	0.88 in. ³
Shaft Min. Yield Strength	60 ksi
Shaft Min. Ultimate Strength	63 ksi

Helix Properties

Standard Plate Thickness	0.375"
Available Plate Thicknesses	0.5" 0.625" 0.75"
Plate Min. Yield Strength	50 ksi
Standard Helix Pitch	3"
Cutting Profile Options	Standard V-Cut Seashell Cut

Connection Details

Coupling	Piertech Patented Cross-lock
Hardware	(2) 3/4"Ø Grade 5 Min.

Coating Options

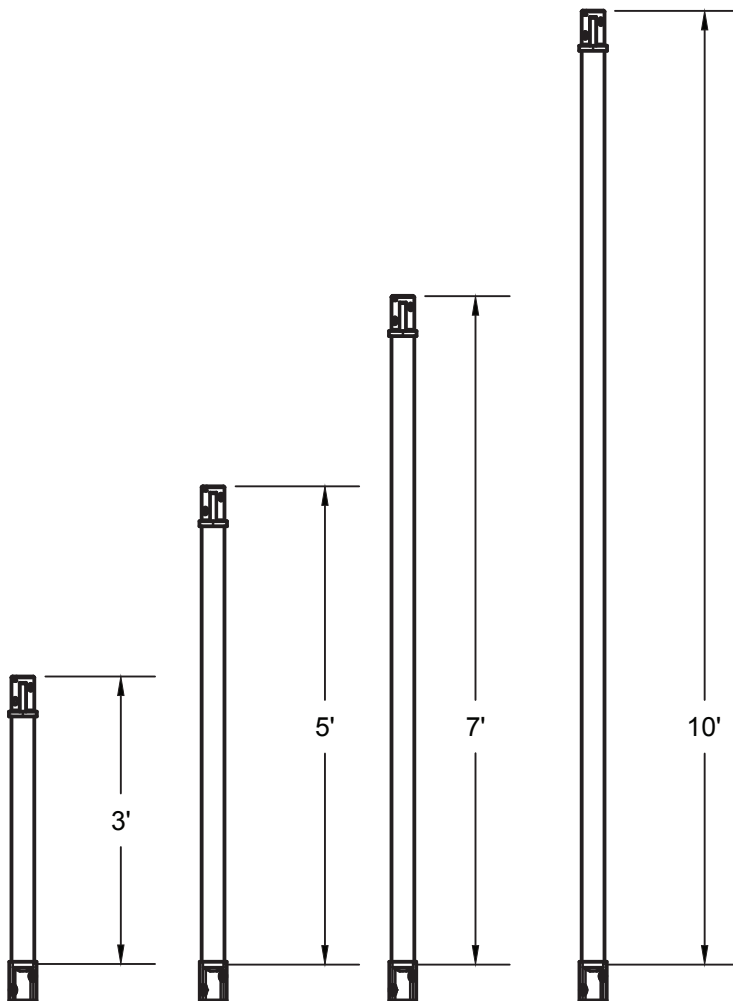
Bare Steel
Hot-Dipped Galvanized per ASTM A123/153.

*Based on 50 years per AC358

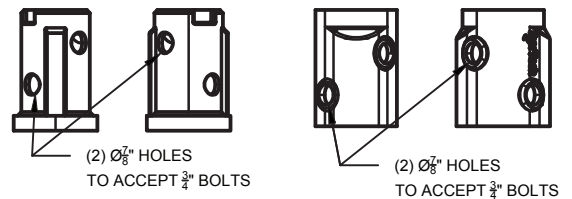
EXTENSIONS

2.88-E5G or 2.88-E5B, 2.88-E7G or
2.88-E7B, 2.88-E10G or 2.88-E10B

2-7/8" 5FT, 7FT, 10FT, EXTENSIONS



PIERTECH PATENTED CROSS-LOCK COUPLING



PRODUCT SPECIFICATIONS

Shaft Properties

Nominal Shaft OD	2.875"
Nominal Wall Thickness	0.217"
Design Wall Thickness	0.202"
Corroded Wall Thickness*	0.166"
Design Area Moment of Inertia	1.52 in. ⁴
Corroded Area Moment of Inertia*	1.25
Design Section Modulus	1.06 in. ³
Corroded Section Modulus*	0.88 in. ³
Shaft Min. Yield Strength	60 ksi
Shaft Min. Ultimate Strength	63 ksi

Connection Details

Coupling	Pierotech Patented Cross-lock
Hardware	(2) 3/4"Ø Grade 5 Min.

Coating Options

Bare Steel
Hot-Dipped Galvanized per ASTM A123/153.

*Based on 50 years per AC358

ICC ESR 3969 available upon special order request

PILE CAPACITY

Structural Capacity	50 kips(allowable), 100 kips(ultimate)
Torque Rating	8,800 ft-lbs
k_t Factor	9 ft ⁻¹

Geotechnical Capacity

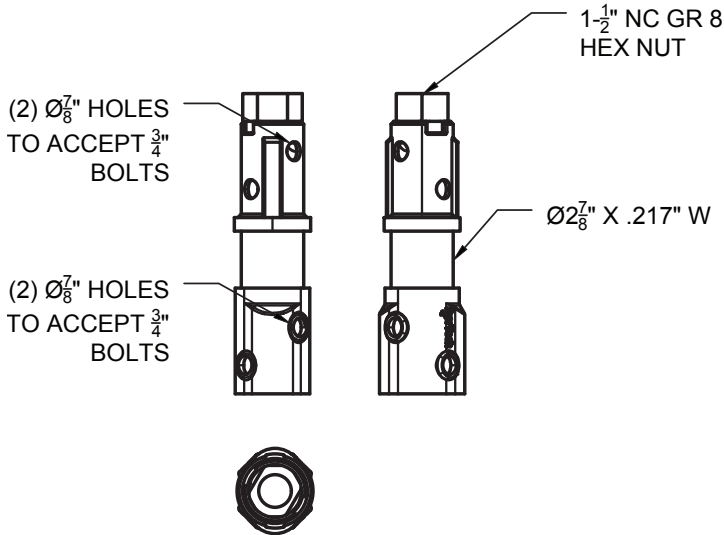
Compression	39.6 kips (allowable), 79.2 kips (ultimate)
Tension	34.4 kips (allowable), 68.8 kips (ultimate)

BRACKETS

2-7/8" ADJUSTABLE BRACKETS

2.88-BAG or 2.88-BAB

PIERTECH PATENTED CROSS-LOCK COUPLING



PRODUCT SPECIFICATIONS

Shaft Properties

Nominal Shaft OD	2.875"
Nominal Wall Thickness	0.217"
Design Wall Thickness	0.202"
Corroded Wall Thickness*	0.166"
Design Area Moment of Inertia	1.52 in. ⁴
Corroded Area Moment of Inertia*	1.25
Design Section Modulus	1.06 in. ³
Corroded Section Modulus*	0.88 in. ³
Shaft Min. Yield Strength	60 ksi
Shaft Min. Ultimate Strength	63 ksi

Bracket Properties

Plate Min. Yield Strength	50 ksi
Plate Min. Tensile Strength	60 ksi

Connection Details

Coupling	PierTech Patented Cross-Lock
Hardware	(2) 3/4"Ø Grade 5 Min.

Coating Options

Bare Steel
Hot-Dipped Galvanized per ASTM A123/153.

*Based on 50 years per AC358

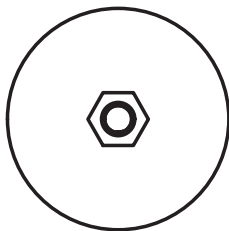
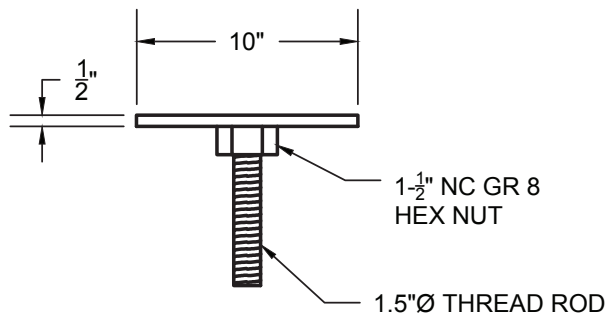
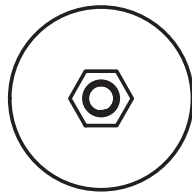
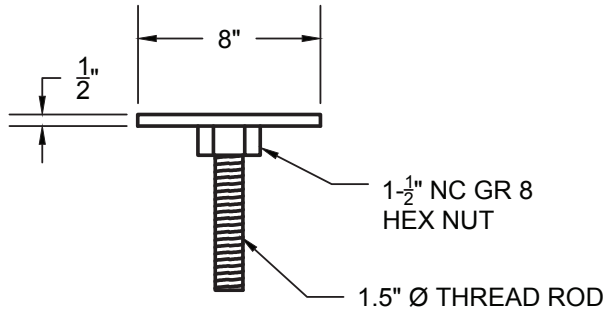
PILE CAPACITY

Structural Capacity	20 kips(allowable), 40 kips(ultimate)
---------------------	--

BRACKETS

2.88-BA8G or 2.88-BA8B
2.88-BA10G or 2.88-BA10B

2-7/8" ADJUSTABLE 8" ROUND BRACKETS
2-7/8" ADJUSTABLE 10" ROUND BRACKETS



PRODUCT SPECIFICATIONS

Shaft Properties

Nominal Shaft OD	2.875"
Nominal Wall Thickness	0.217"
Design Wall Thickness	0.202"
Corroded Wall Thickness*	0.166"
Design Area Moment of Inertia	1.52 in. ⁴
Corroded Area Moment of Inertia*	1.25
Design Section Modulus	1.06 in. ³
Corroded Section Modulus*	0.88 in. ³
Shaft Min. Yield Strength	60 ksi
Shaft Min. Ultimate Strength	63 ksi

Bracket Properties

Plate Min. Yield Strength	50 ksi
Plate Min. Tensile Strength	60 ksi

Coating Options

Bare Steel	
Hot-Dipped Galvanized per ASTM A123/153.	

*Based on 50 years per AC358

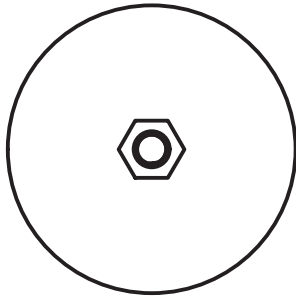
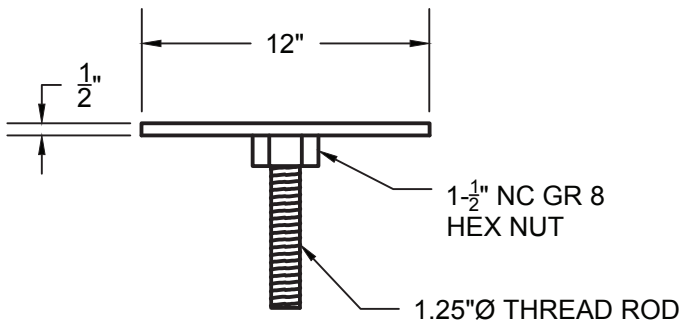
PILE CAPACITY

Structural Capacity	20 kips(allowable), 40 kips(ultimate)
---------------------	--

BRACKETS

2-7/8" ADJUSTABLE 12" ROUND BRACKETS

2.88-BA12G or
2.88-BA12B



PRODUCT SPECIFICATIONS

Shaft Properties

Nominal Shaft OD	2.875"
Nominal Wall Thickness	0.217"
Design Wall Thickness	0.202"
Corroded Wall Thickness*	0.166"
Design Area Moment of Inertia	1.52 in. ⁴
Corroded Area Moment of Inertia*	1.25
Design Section Modulus	1.06 in. ³
Corroded Section Modulus*	0.88 in. ³
Shaft Min. Yield Strength	60 ksi
Shaft Min. Ultimate Strength	63 ksi

Bracket Properties

Plate Min. Yield Strength	50 ksi
Plate Min. Tensile Strength	60 ksi

Coating Options

Bare Steel

Hot-Dipped Galvanized per ASTM A123/153.

*Based on 50 years per AC308

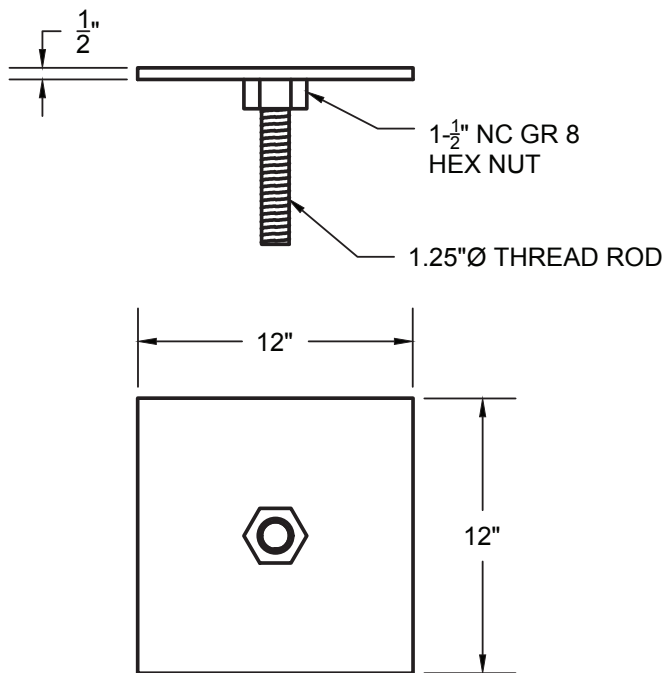
PILE CAPACITY

Structural Capacity	20 kips(allowable), 40 kips(ultimate)
---------------------	--

BRACKETS

2.88-BA12SQG or
2.88-BA12SQB

2-7/8" ADJUSTABLE 12" SQUARE BRACKETS



PRODUCT SPECIFICATIONS

Shaft Properties

Nominal Shaft OD	2.875"
Nominal Wall Thickness	0.217"
Design Wall Thickness	0.202"
Corroded Wall Thickness*	0.166"
Design Area Moment of Inertia	1.52 in. ⁴
Corroded Area Moment of Inertia*	1.25
Design Section Modulus	1.06 in. ³
Corroded Section Modulus*	0.88 in. ³
Shaft Min. Yield Strength	60 ksi
Shaft Min. Ultimate Strength	63 ksi

Bracket Properties

Plate Min. Yield Strength	50 ksi
Plate Min. Tensile Strength	60 ksi

Coating Options

Bare Steel

Hot-Dipped Galvanized per ASTM A123/153.

*Based on 50 years per AC358

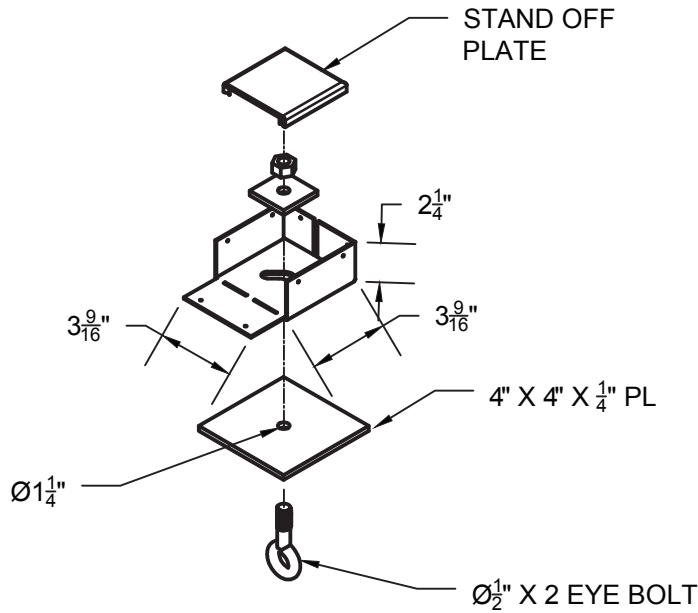
PILE CAPACITY

Structural Capacity	20 kips(allowable), 40 kips(ultimate)
---------------------	--

BRACKETS

2-7/8" 4X4 DECK BRACKETS

2.88-BD44G



PRODUCT SPECIFICATIONS

Shaft Properties

Nominal Shaft OD	2.875"
Nominal Wall Thickness	0.217"
Design Wall Thickness	0.202"
Corroded Wall Thickness*	0.166"
Design Area Moment of Inertia	1.52 in. ⁴
Corroded Area Moment of Inertia*	1.25
Design Section Modulus	1.06 in. ³
Corroded Section Modulus*	0.88 in. ³
Shaft Min. Yield Strength	60 ksi
Shaft Min. Ultimate Strength	63 ksi

Bracket Properties

Plate Material	A36
----------------	-----

Connection Details

Hardware	Ø 3/4" Bolt A325
----------	---------------------

Coating Options

Hot-Dipped Galvanized per ASTM A123/153.
--

*Based on 50 years per AC308

*For fixed structures

PILE CAPACITY

Structural Capacity	50 kips(allowable), 100 kips(ultimate)
Torque Rating	8,800 ft-lbs
k _t Factor	9 ft ⁻¹

Bracket Capacity

Tension	1 kips (allowable), 2 kips (ultimate)
---------	---------------------------------------

Not evaluated for lateral loads

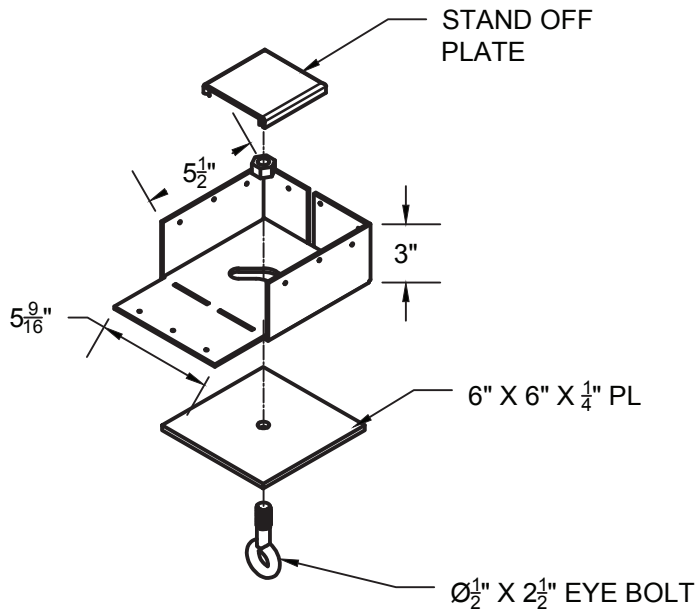
Geotechnical Capacity

Compression	39.6 kips (allowable), 79.2 kips (ultimate)
-------------	---

BRACKETS

2-7/8" 6X6 DECK BRACKETS

2.88-BD665G or 2.88-BD665B



PRODUCT SPECIFICATIONS

Shaft Properties

Nominal Shaft OD	2.875"
Nominal Wall Thickness	0.217"
Design Wall Thickness	0.202"
Corroded Wall Thickness*	0.166"
Design Area Moment of Inertia	1.52 in. ⁴
Corroded Area Moment of Inertia*	1.25
Design Section Modulus	1.06 in. ³
Corroded Section Modulus*	0.88 in. ³
Shaft Min. Yield Strength	60 ksi
Shaft Min. Ultimate Strength	63 ksi

PILE CAPACITY

Structural Capacity	50 kips(allowable), 100 kips(ultimate)
Torque Rating	8,800 ft-lbs
k_t Factor	9 ft ⁻¹

Bracket Capacity

Compression	10.6 - 12.9 kips (allowable), 25.8 kips (ultimate)
Tension	1 kips (allowable), 2 kips (ultimate)

Not evaluated for lateral loads

Geotechnical Capacity

Compression	39.6 kips (allowable), 79.2 kips (ultimate)
-------------	---

Bracket Properties

Plate Material	A36
----------------	-----

Connection Details

Hardware	Ø 3/4" Bolt
----------	-------------

Coating Options

Bare Steel

Hot-Dipped Galvanized per ASTM A123/153.

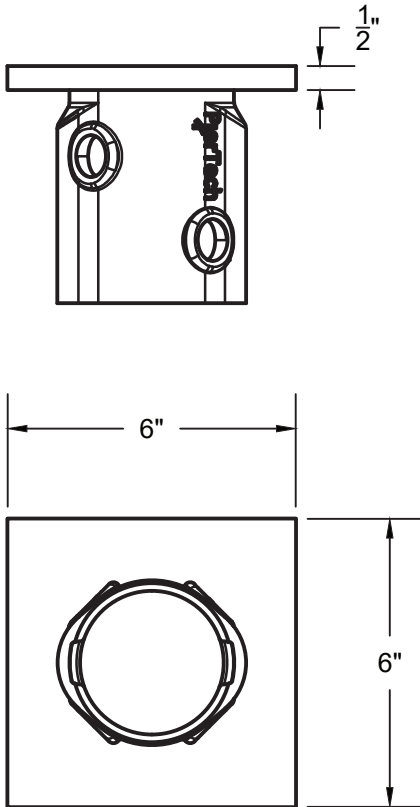
*Based on 50 years per AC308

*For fixed structures

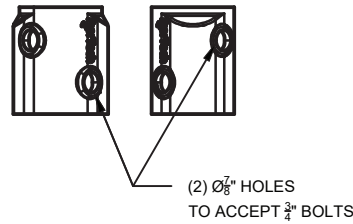
BRACKETS

2-7/8" 6X6 NEW CONSTRUCTION BRACKETS

2.88-BNC66G or
2.88-BNC66B



PIERTECH PATENTED CROSSLOCK BRACKET COUPLING



PRODUCT SPECIFICATIONS

Shaft Properties

Nominal Shaft OD	2.875"
Nominal Wall Thickness	0.217"
Design Wall Thickness	0.202"
Corroded Wall Thickness*	0.166"
Design Area Moment of Inertia	1.52 in. ⁴
Corroded Area Moment of Inertia*	1.25
Design Section Modulus	1.06 in. ³
Corroded Section Modulus*	0.88 in. ³
Shaft Min. Yield Strength	60 ksi
Shaft Min. Ultimate Strength	63 ksi

Bracket Properties

Plate Min. Yield Strength	50 ksi
Plate Min. Tensile Strength	60 ksi
Available Thickness	1/2", 3/4", 1"

Connection Details

Coupling	Piertech Patented Cross-lock
Hardware	(2) 3/4"Ø Grade 5 Min.

Coating Options

Bare Steel
Hot-Dipped Galvanized per ASTM A123/153.

*Based on 50 years per AC308

ICC ESR 3969 available upon special order request

PILE CAPACITY

Structural Capacity	50 kips(allowable), 100 kips(ultimate)
Torque Rating	8,800 ft-lbs
k _t Factor	9 ft ⁻¹

Bracket Capacity

Compression	43.5 kips (allowable), 87 kips (ultimate)
Tension	43.5 kips (allowable), 87 kips (ultimate)

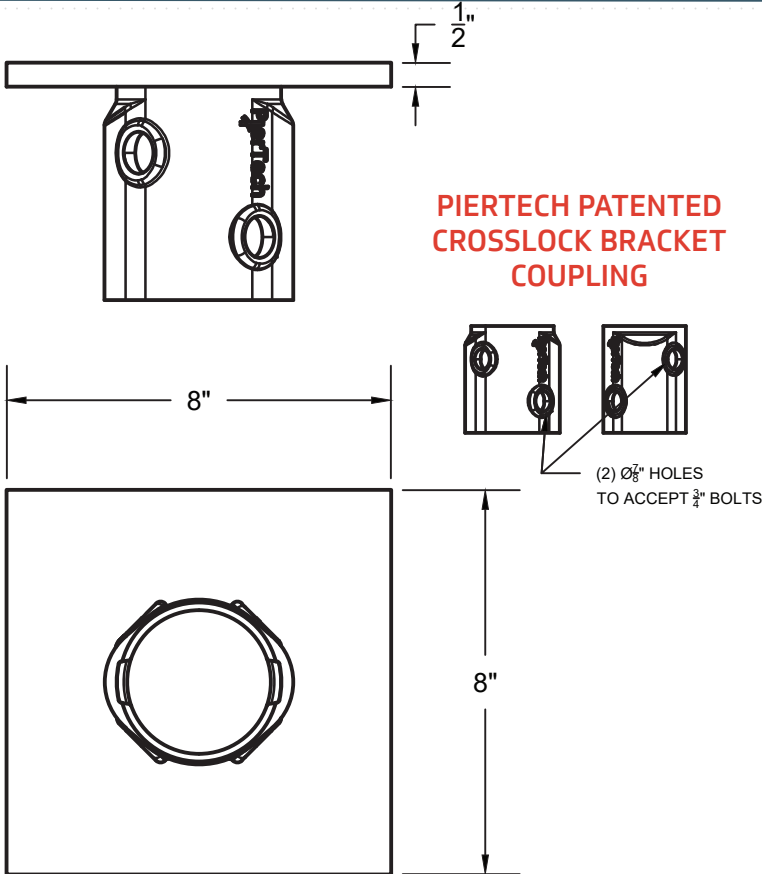
Geotechnical Capacity

Compression	39.6 kips (allowable), 79.2 kips (ultimate)
Tension	34.4 kips (allowable), 68.8 kips (ultimate)

BRACKETS

2.88-BNC88G or
2.88-BNC88B

2-7/8" 8X8 NEW CONSTRUCTION BRACKETS



PILE CAPACITY

Structural Capacity	50 kips(allowable), 100 kips(ultimate)
Torque Rating	8,800 ft-lbs
k_t Factor	9 ft ⁻¹

Bracket Capacity

Compression	43.5 kips (allowable), 87 kips (ultimate)
Tension	43.5 kips (allowable), 87 kips (ultimate)

Geotechnical Capacity

Compression	39.6 kips (allowable), 79.2 kips (ultimate)
Tension	34.4 kips (allowable), 68.8 kips (ultimate)

PRODUCT SPECIFICATIONS

Shaft Properties

Nominal Shaft OD	2.875"
Nominal Wall Thickness	0.217"
Design Wall Thickness	0.202"
Corroded Wall Thickness*	0.166"
Design Area Moment of Inertia	1.52 in. ⁴
Corroded Area Moment of Inertia*	1.25
Design Section Modulus	1.06 in. ³
Corroded Section Modulus*	0.88 in. ³
Shaft Min. Yield Strength	60 ksi
Shaft Min. Ultimate Strength	63 ksi

Bracket Properties

Plate Min. Yield Strength	50 ksi
Plate Min. Tensile Strength	60 ksi
Available Thickness	1/2", 3/4", 1"

Connection Details

Coupling	Piertech Patented Cross-lock
Hardware	(2) 3/4"Ø Grade 5 Min.

Coating Options

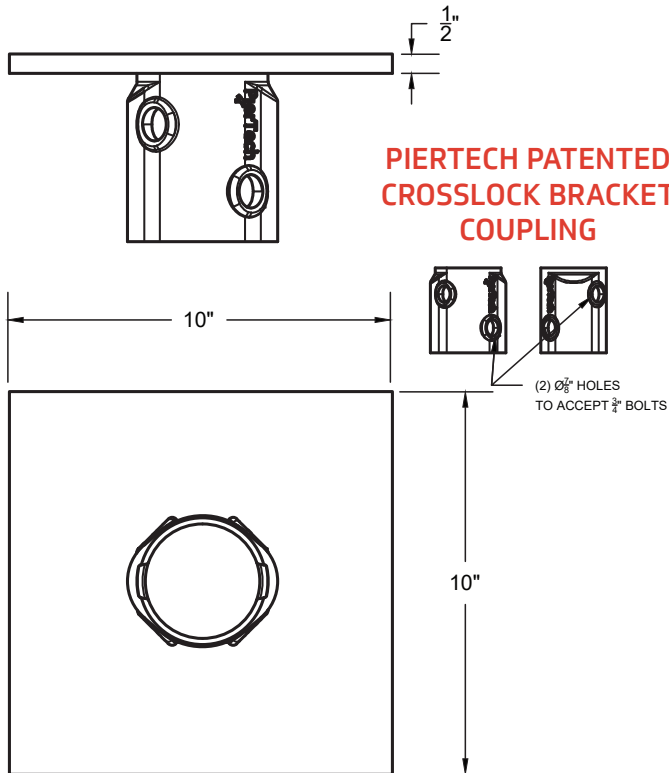
Bare Steel
Hot-Dipped Galvanized per ASTM A123/153.

*Based on 50 years per AC308

BRACKETS

2-7/8" 10X10 NEW CONSTRUCTION BRACKETS

2.88-BNC88G or
2.88-BNC88B



PILE CAPACITY

Structural Capacity	50 kips(allowable), 100 kips(ultimate)
Torque Rating	8,800 ft-lbs
k_t Factor	9 ft ⁻¹

Bracket Capacity

Compression	43.5 kips (allowable), 87 kips (ultimate)
Tension	43.5 kips (allowable), 87 kips (ultimate)

Geotechnical Capacity

Compression	39.6 kips (allowable), 79.2 kips (ultimate)
Tension	34.4 kips (allowable), 68.8 kips (ultimate)

PRODUCT SPECIFICATIONS

Shaft Properties

Nominal Shaft OD	2.875"
Nominal Wall Thickness	0.217"
Design Wall Thickness	0.202"
Corroded Wall Thickness*	0.166"
Design Area Moment of Inertia	1.52 in. ⁴
Corroded Area Moment of Inertia*	1.25
Design Section Modulus	1.06 in. ³
Corroded Section Modulus*	0.88 in. ³
Shaft Min. Yield Strength	60 ksi
Shaft Min. Ultimate Strength	63 ksi

Bracket Properties

Plate Min. Yield Strength	50 ksi
Plate Min. Tensile Strength	60 ksi
Available Thickness	1/2", 3/4", 1"

Connection Details

Coupling	Piertech Patented Cross-lock
Hardware	(2) 3/4"Ø Grade 5 Min.

Coating Options

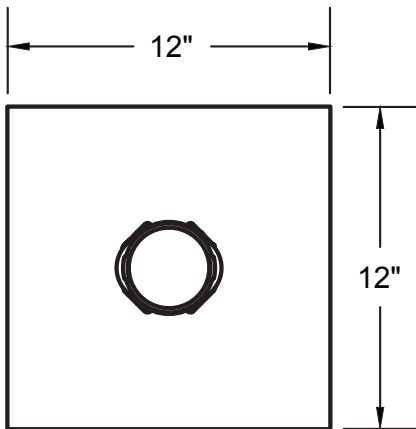
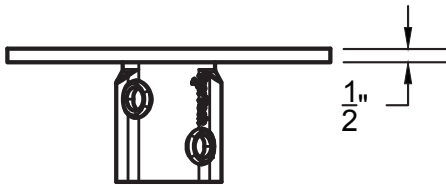
Bare Steel
Hot-Dipped Galvanized per ASTM A123/153.

*Based on 50 years per AC308

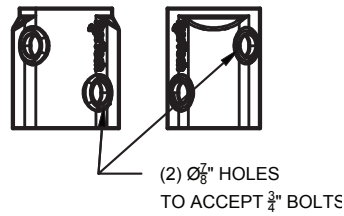
BRACKETS

2.88-BNC1212G or
2.88-BNC1212B

2-7/8" 12X12 NEW CONSTRUCTION BRACKETS



PIERTECH PATENTED CROSSLOCK BRACKET COUPLING



PRODUCT SPECIFICATIONS

Shaft Properties

Nominal Shaft OD	2.875"
Nominal Wall Thickness	0.217"
Design Wall Thickness	0.202"
Corroded Wall Thickness*	0.166"
Design Area Moment of Inertia	1.52 in. ⁴
Corroded Area Moment of Inertia*	1.25
Design Section Modulus	1.06 in. ³
Corroded Section Modulus*	0.88 in. ³
Shaft Min. Yield Strength	60 ksi
Shaft Min. Ultimate Strength	63 ksi

Bracket Properties

Plate Min. Yield Strength	50 ksi
Plate Min. Tensile Strength	60 ksi
Available Thickness	1/2", 3/4", 1"

Connection Details

Coupling	Piertechn Patented Cross-lock
Hardware	(2) 3/4"Ø Grade 5 Min.

Coating Options

Bare Steel
Hot-Dipped Galvanized per ASTM A123/153.

*Based on 50 years per AC308

PILE CAPACITY

Structural Capacity	50 kips(allowable), 100 kips(ultimate)
Torque Rating	8,800 ft-lbs
k _t Factor	9 ft ⁻¹

Bracket Capacity

Compression	43.5 kips (allowable), 87 kips (ultimate)
Tension	43.5 kips (allowable), 87 kips (ultimate)

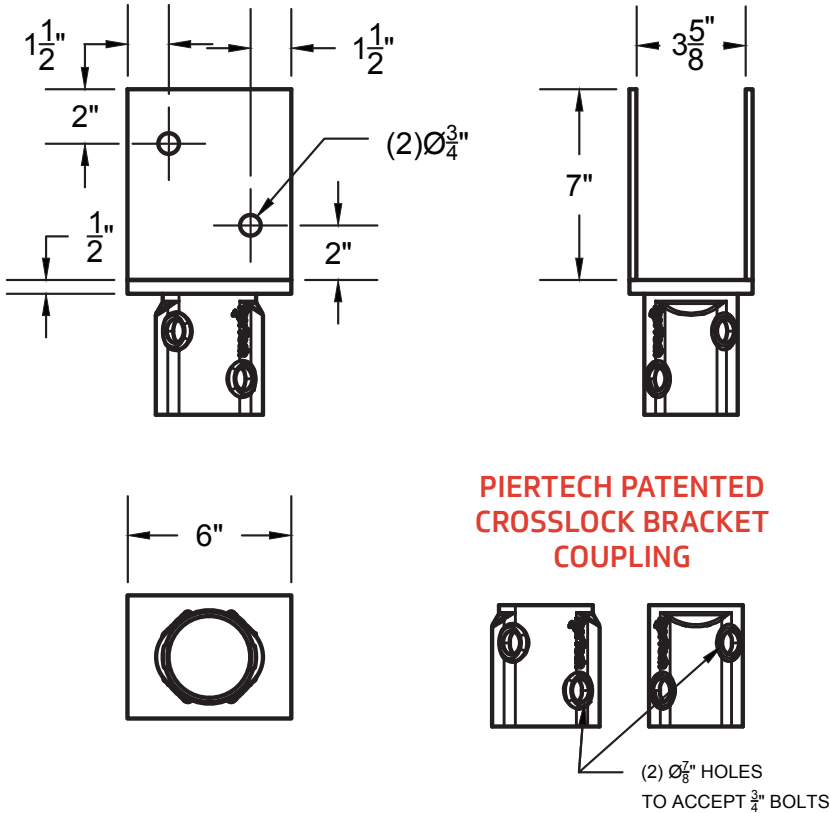
Geotechnical Capacity

Compression	39.6 kips (allowable), 79.2 kips (ultimate)
Tension	34.4 kips (allowable), 68.8 kips (ultimate)

BRACKETS

2-7/8" 4X6 CROSS LOCK SADDLE BRACKETS

2.88-BS46CLG or
2.88-BS46CLB



PIERTECH PATENTED CROSSLCK BRACKET COUPLING

PRODUCT SPECIFICATIONS

Shaft Properties

Nominal Shaft OD	2.875"
Nominal Wall Thickness	0.217"
Design Wall Thickness	0.202"
Corroded Wall Thickness*	0.166"
Design Area Moment of Inertia	1.52 in. ⁴
Corroded Area Moment of Inertia*	1.25
Design Section Modulus	1.06 in. ³
Corroded Section Modulus*	0.88 in. ³
Shaft Min. Yield Strength	60 ksi
Shaft Min. Ultimate Strength	63 ksi

Bracket Properties

Pipe Min. Yield Strength	55 ksi
Plate Min. Yield Strength	50 ksi
Plate Min. Tensile Strength	60 ksi

Connection Details

Coupling	Piertech Patented Cross-lock
Hardware	(2) 3/4" Ø Grade 5 Min.

Coating Options

Bare Steel
Hot-Dipped Galvanized per ASTM A123/153.

*Based on 50 years per AC308

PILE CAPACITY

Structural Capacity	50 kips(allowable), 100 kips(ultimate)
Torque Rating	8,800 ft-lbs
k _t Factor	9 ft ⁻¹

Bracket Capacity

Compression	20 kips (allowable), 40 kips (ultimate)
Tension	20 kips (allowable), 40 kips (ultimate)

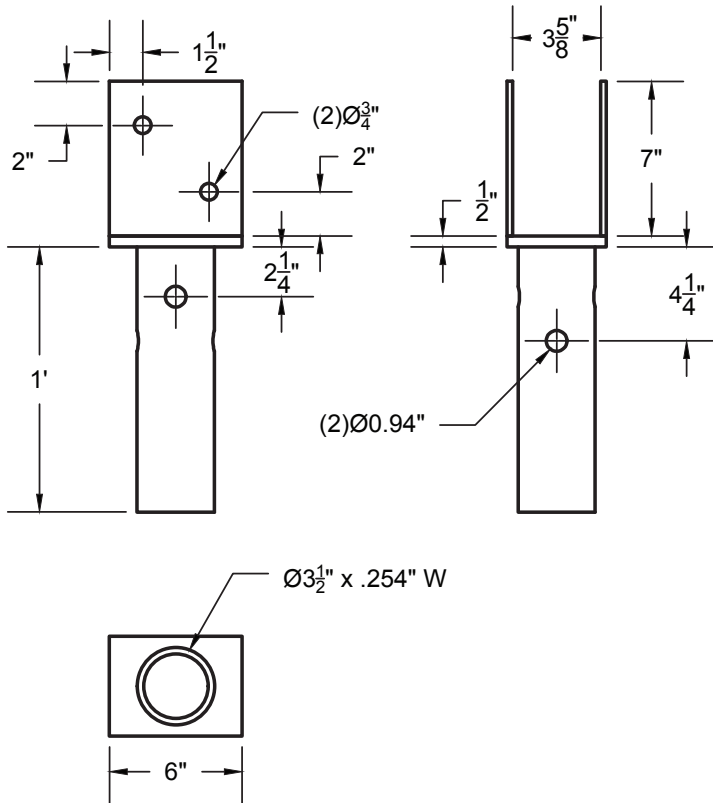
Geotechnical Capacity

Compression	39.6 kips (allowable), 79.2 kips (ultimate)
Tension	34.4 kips (allowable), 68.8 kips (ultimate)

BRACKETS

2-7/8" 4X6 SADDLE BRACKETS

2.88-BS46G or 2.88-BS46B



PRODUCT SPECIFICATIONS

Shaft Properties

Nominal Shaft OD	2.875"
Nominal Wall Thickness	0.217"
Design Wall Thickness	0.202"
Corroded Wall Thickness*	0.166"
Design Area Moment of Inertia	1.52 in. ⁴
Corroded Area Moment of Inertia*	1.25
Design Section Modulus	1.06 in. ³
Corroded Section Modulus*	0.88 in. ³
Shaft Min. Yield Strength	60 ksi
Shaft Min. Ultimate Strength	63 ksi

Bracket Properties

Pipe Min. Yield Strength	55 ksi
Plate Min. Yield Strength	50 ksi
Plate Min. Tensile Strength	60 ksi

Connection Details

Coupling	Ø 3 1/2" X .254" W Sleeve
Hardware	(2) 3/4"Ø Grade 5 Min.

Coating Options

Bare Steel
Hot-Dipped Galvanized per ASTM A123/153.

*Based on 50 years per AC358

PILE CAPACITY

Structural Capacity	50 kips(allowable), 100 kips(ultimate)
Torque Rating	8,800 ft-lbs
k _t Factor	9 ft ⁻¹

Bracket Capacity

Compression	20 kips (allowable), 40 kips (ultimate)
Tension	20 kips (allowable), 40 kips (ultimate)

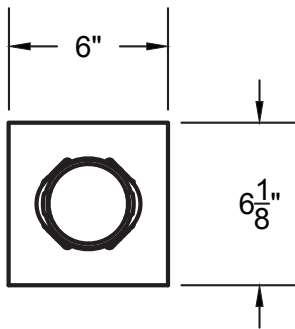
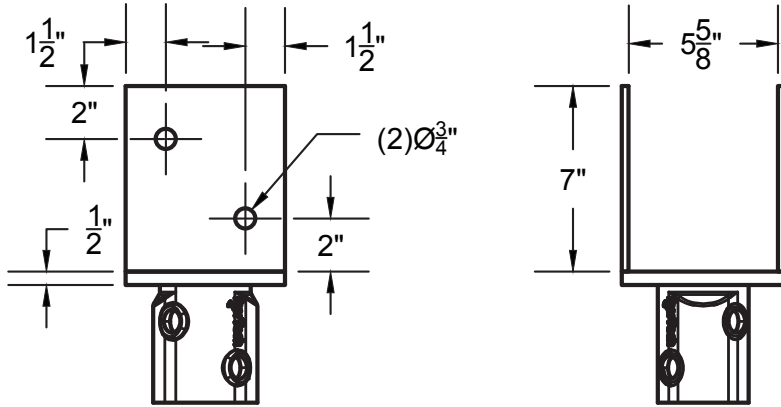
Geotechnical Capacity

Compression	39.6 kips (allowable), 79.2 kips (ultimate)
Tension	34.4 kips (allowable), 68.8 kips (ultimate)

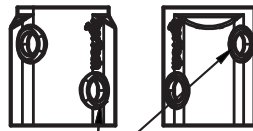
BRACKETS

2-7/8" 6X6 CROSS LOCK SADDLE BRACKETS

2.88-BS66CLG or
2.88-BS66CLB



PIERTECH PATENTED CROSSLOCK BRACKET COUPLING



(2) \O^7_8 " HOLES
TO ACCEPT $\frac{3}{4}$ " BOLTS

PILE CAPACITY

Structural Capacity	50 kips(allowable), 100 kips(ultimate)
Torque Rating	8,800 ft-lbs
k_t Factor	9 ft ⁻¹

Bracket Capacity

Compression	20 kips (allowable), 40 kips (ultimate)
Tension	20 kips (allowable), 40 kips (ultimate)

Geotechnical Capacity

Compression	39.6 kips (allowable), 79.2 kips (ultimate)
Tension	34.4 kips (allowable), 68.8 kips (ultimate)

PRODUCT SPECIFICATIONS

Shaft Properties

Nominal Shaft OD	2.875"
Nominal Wall Thickness	0.217"
Design Wall Thickness	0.202"
Corroded Wall Thickness*	0.166"
Design Area Moment of Inertia	1.52 in. ⁴
Corroded Area Moment of Inertia*	1.25
Design Section Modulus	1.06 in. ³
Corroded Section Modulus*	0.88 in. ³
Shaft Min. Yield Strength	60 ksi
Shaft Min. Ultimate Strength	63 ksi

Bracket Properties

Pipe Min. Yield Strength	55 ksi
Plate Min. Yield Strength	50 ksi
Plate Min. Tensile Strength	60 ksi

Connection Details

Coupling	Piertech Patented Cross-lock
Hardware	(2) 3/4" \O Grade 5 Min.

Coating Options

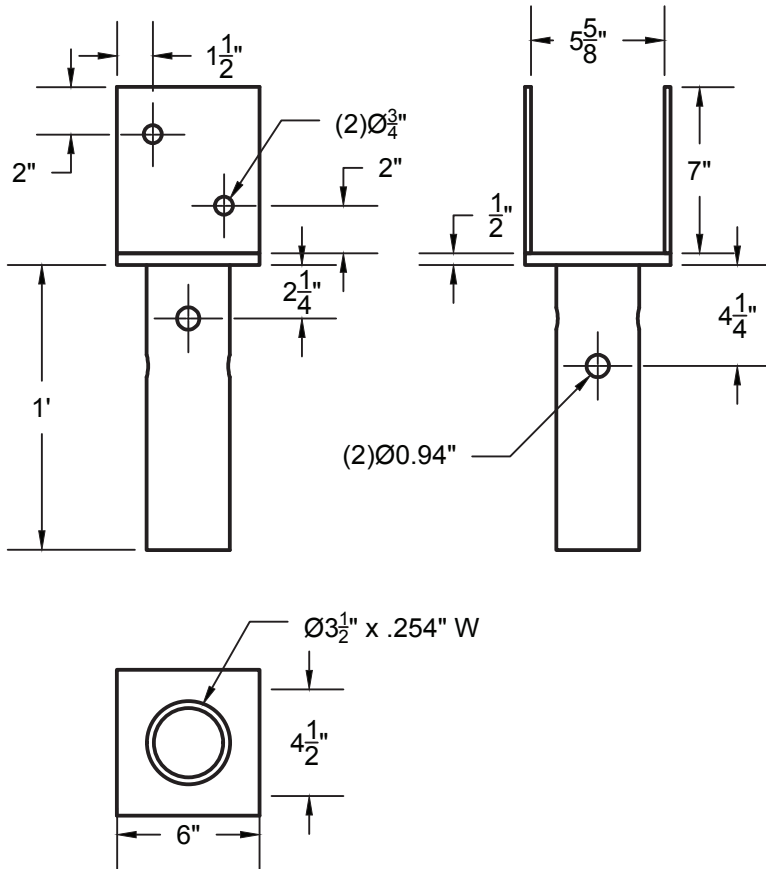
Bare Steel
Hot-Dipped Galvanized per ASTM A123/153.

*Based on 50 years per AC358

BRACKETS

2-7/8" 6X6 SADDLE BRACKETS

2.88-BS66G or
2.88-BS66B



PRODUCT SPECIFICATIONS

Shaft Properties

Nominal Shaft OD	2.875"
Nominal Wall Thickness	0.217"
Design Wall Thickness	0.202"
Corroded Wall Thickness*	0.166"
Design Area Moment of Inertia	1.52 in. ⁴
Corroded Area Moment of Inertia*	1.25
Design Section Modulus	1.06 in. ³
Corroded Section Modulus*	0.88 in. ³
Shaft Min. Yield Strength	60 ksi
Shaft Min. Ultimate Strength	63 ksi

Bracket Properties

Pipe Min. Yield Strength	55 ksi
Plate Min. Yield Strength	50 ksi
Plate Min. Tensile Strength	60 ksi

Connection Details

Coupling	Piertech Patented Cross-lock
Hardware	(2) 3/4"Ø Grade 5 Min.

Coating Options

Bare Steel
Hot-Dipped Galvanized per ASTM A123/153.

*Based on 50 years per AC358

PILE CAPACITY

Structural Capacity	50 kips(allowable), 100 kips(ultimate)
Torque Rating	8,800 ft-lbs
k _t Factor	9 ft ⁻¹

Bracket Capacity

Compression	20 kips (allowable), 40 kips (ultimate)
Tension	20 kips (allowable), 40 kips (ultimate)

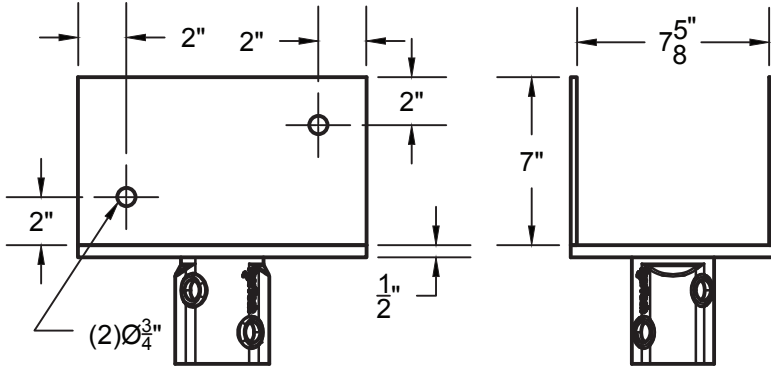
Geotechnical Capacity

Compression	39.6 kips (allowable), 79.2 kips (ultimate)
Tension	34.4 kips (allowable), 68.8 kips (ultimate)

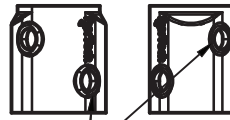
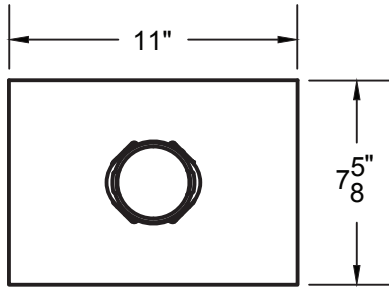
BRACKETS

2-7/8" 8X8 CROSS LOCK SADDLE BRACKETS

2.88-BS88CLG or
2.88-BS88CLB



PIERTECH PATENTED CROSSLock BRACKET COUPLING



(2) $\frac{3}{4}$ " HOLES
TO ACCEPT $\frac{3}{4}$ " BOLTS

PRODUCT SPECIFICATIONS

Shaft Properties

Nominal Shaft OD	2.875"
Nominal Wall Thickness	0.217"
Design Wall Thickness	0.202"
Corroded Wall Thickness*	0.166"
Design Area Moment of Inertia	1.52 in. ⁴
Corroded Area Moment of Inertia*	1.25
Design Section Modulus	1.06 in. ³
Corroded Section Modulus*	0.88 in. ³
Shaft Min. Yield Strength	60 ksi
Shaft Min. Ultimate Strength	63 ksi

Bracket Properties

Plate Min. Yield Strength	50 ksi
Plate Min. Tensile Strength	60 ksi

Connection Details

Coupling	Piertech Patented Cross-lock
Hardware	(2) $\frac{3}{4}$ " \emptyset Grade 5 Min.

Coating Options

Bare Steel
Hot-Dipped Galvanized per ASTM A123/153.

*Based on 50 years per AC308

PILE CAPACITY

Structural Capacity	50 kips(allowable), 100 kips(ultimate)
Torque Rating	8,800 ft-lbs
k_t Factor	9 ft ⁻¹

Bracket Capacity

Compression	20 kips (allowable), 40 kips (ultimate)
Tension	20 kips (allowable), 40 kips (ultimate)

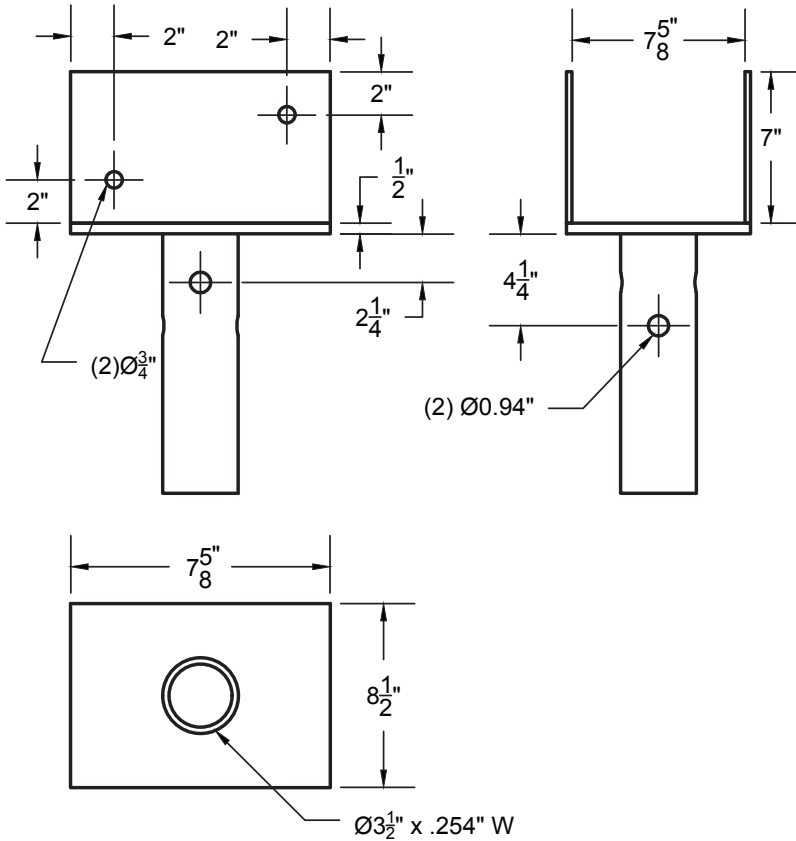
Geotechnical Capacity

Compression	39.6 kips (allowable), 79.2 kips (ultimate)
Tension	34.4 kips (allowable), 68.8 kips (ultimate)

BRACKETS

2-7/8" 8X8 SADDLE BRACKETS

2.88-BS88G or
2.88-BS88BS



PRODUCT SPECIFICATIONS

Shaft Properties

Nominal Shaft OD	2.875"
Nominal Wall Thickness	0.217"
Design Wall Thickness	0.202"
Corroded Wall Thickness*	0.166"
Design Area Moment of Inertia	1.52 in. ⁴
Corroded Area Moment of Inertia*	1.25
Design Section Modulus	1.06 in. ³
Corroded Section Modulus*	0.88 in. ³
Shaft Min. Yield Strength	60 ksi
Shaft Min. Ultimate Strength	63 ksi

Bracket Properties

Pipe Min. Yield Strength	55 ksi
Plate Min. Yield Strength	50 ksi
Plate Min. Tensile Strength	60 ksi

Connection Details

Coupling	3 1/2" X .254" W Sleeve
Hardware	(2) 3/4"Ø Grade 5 Min.

Coating Options

Bare Steel
Hot-Dipped Galvanized per ASTM A123/153.

*Based on 50 years per AC308

PILE CAPACITY

Structural Capacity	50 kips(allowable), 100 kips(ultimate)
Torque Rating	8,800 ft-lbs
k _t Factor	9 ft ⁻¹

Bracket Capacity

Compression	20 kips (allowable), 40 kips (ultimate)
Tension	20 kips (allowable), 40 kips (ultimate)

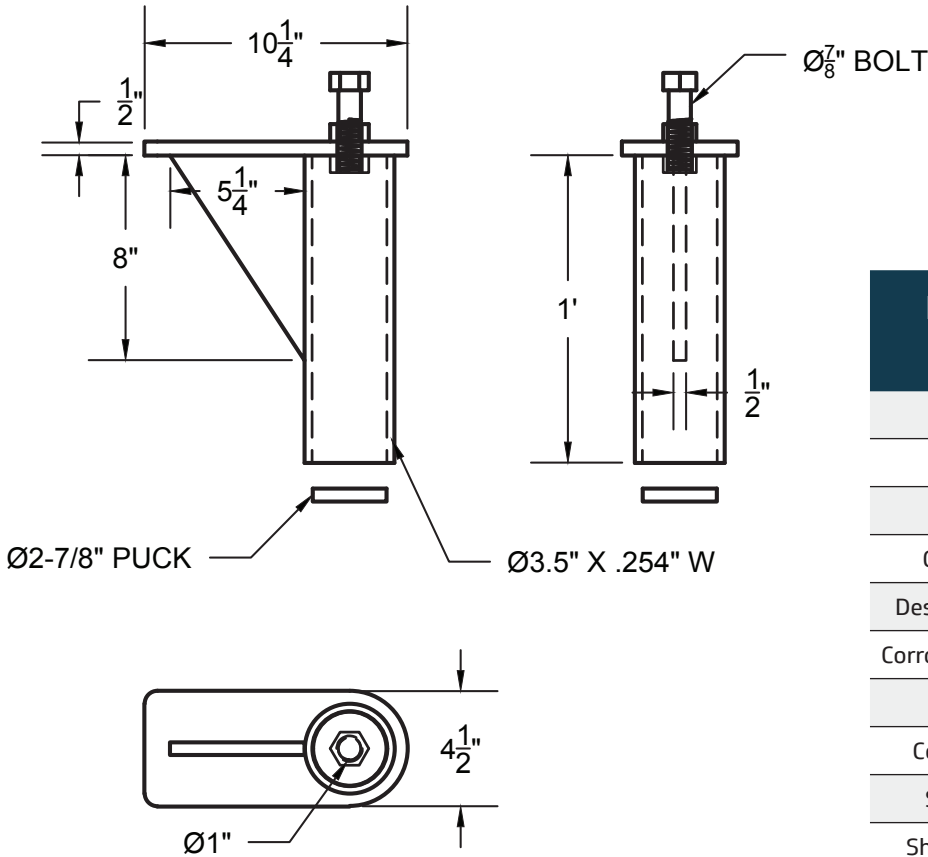
Geotechnical Capacity

Compression	39.6 kips (allowable), 79.2 kips (ultimate)
Tension	34.4 kips (allowable), 68.8 kips (ultimate)

BRACKETS

2-7/8" PORCH BRACKETS

2.88-BPG or 2.88-BPB



PRODUCT SPECIFICATIONS

Shaft Properties

Nominal Shaft OD	2.875"
Nominal Wall Thickness	0.217"
Design Wall Thickness	0.202"
Corroded Wall Thickness*	0.166"
Design Area Moment of Inertia	1.52 in. ⁴
Corroded Area Moment of Inertia*	1.25 in. ⁴
Design Section Modulus	1.06 in. ³
Corroded Section Modulus*	0.88 in. ³
Shaft Min. Yield Strength	60 ksi
Shaft Min. Ultimate Strength	63 ksi

Bracket Properties

Plate Min. Yield Strength	50 ksi
Plate Min. Tensile Strength	60 ksi

Connection Details

Coupling	Ø 3 1/2" X .254" W Sleeve
----------	---------------------------------

Coating Options

Bare Steel
Hot-Dipped Galvanized per ASTM A123/153.

*Based on 50 years per AC308

PILE CAPACITY

Structural Capacity	50 kips(allowable), 100 kips(ultimate)
Torque Rating	8,800 ft-lbs
k _t Factor	9 ft ⁻¹

Bracket Capacity

Compression	5 kips (allowable), 10 kips (ultimate)
-------------	--

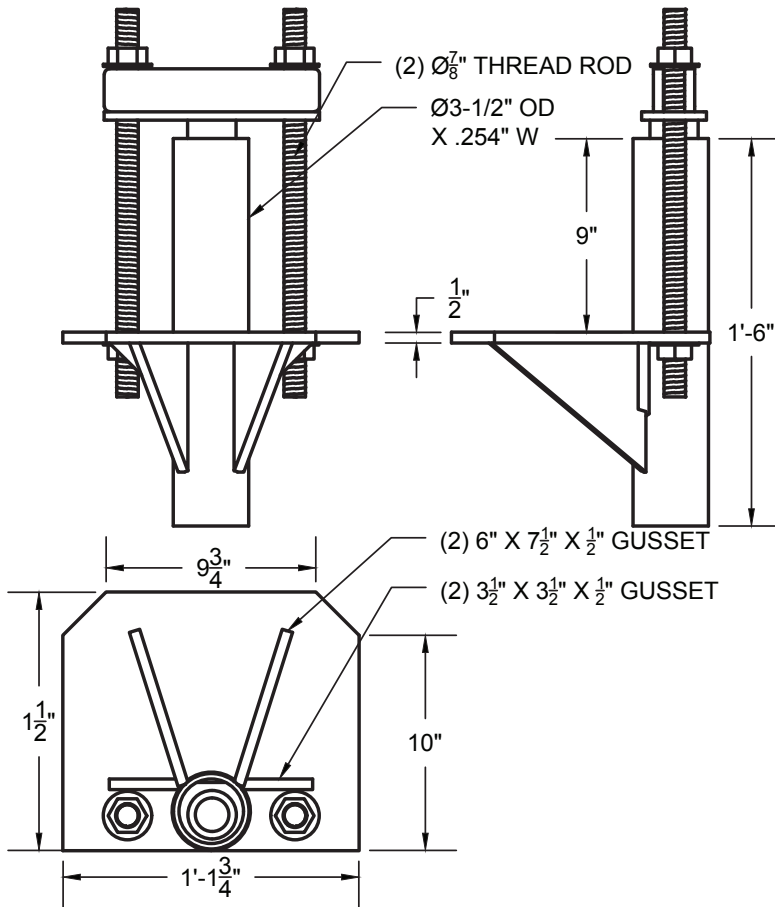
Geotechnical Capacity

Compression	39.6 kips (allowable), 79.2 kips (ultimate)
-------------	---

BRACKETS

2-7/8" TRU-LIFT BRACKETS

2.88-BTLKPB or
2.88-BTLKG



ICC ESR 3969 available upon special order request

PILE CAPACITY

Structural Capacity	50 kips(allowable), 100 kips(ultimate)
Torque Rating	8,800 ft-lbs
k_t Factor	9 ft ⁻¹

Bracket Capacity

Compression	36 kips (allowable), 72 kips (ultimate)
-------------	---

Geotechnical Capacity

Compression	39.6 kips (allowable), 79.2 kips (ultimate)
Tension	34.4 kips (allowable), 68.8 kips (ultimate)

PRODUCT SPECIFICATIONS

Shaft Properties

Nominal Shaft OD	2.875"
Nominal Wall Thickness	0.217"
Design Wall Thickness	0.202"
Corroded Wall Thickness*	0.166"
Design Area Moment of Inertia	1.52 in. ⁴
Corroded Area Moment of Inertia*	1.25
Design Section Modulus	1.06 in. ³
Corroded Section Modulus*	0.88 in. ³
Shaft Min. Yield Strength	60 ksi
Shaft Min. Ultimate Strength	63 ksi

Bracket Properties

Pipe Min. Yield Strength	46 ksi
Pipe Min. Tensile Strength	62 ksi
Plate Min. Yield Strength	50 ksi
Plate Min. Tensile Strength	60 ksi
Bearing Area	113 sqin.

Connection Details

Coupling	3 1/2" X .254" W Sleeve
Hardware	(2) 3/4"Ø Grade 5 Min.

Coating Options

Bare Steel
Hot-Dipped Galvanized per ASTM A123/153.

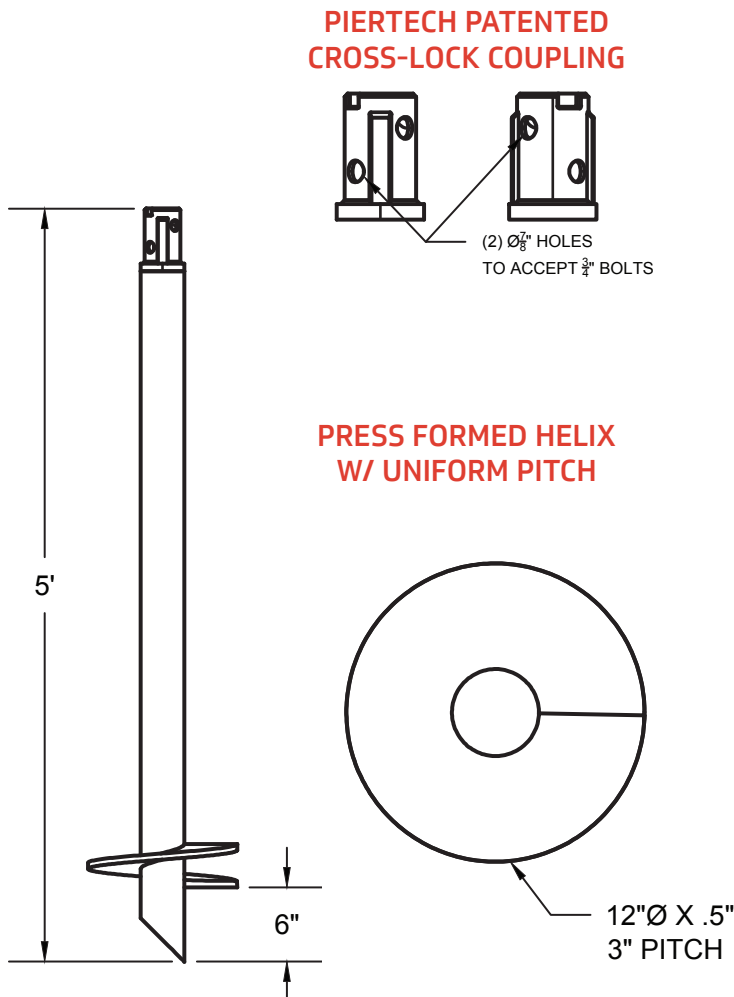
*Based on 50 years per AC308

TECHNICAL 3-1/2" DIAMETER

SINGLE HELIX LEADS

3-1/2" 5FT. 12" HELIX LEAD

3.5-L512G or 3.5-L512B



Other grades and wall thicknesses available upon request

PILE CAPACITY

Structural Capacity	80 kips(allowable), 160 kips(ultimate)
Torque Rating	13,500 ft-lbs
k_t Factor	7 ft ⁻¹

Geotechnical Capacity

Compression	47.25 kips (allowable), 94.5 kips (ultimate)
Tension	40 kips (allowable), 80 kips (ultimate)

PRODUCT SPECIFICATIONS

Shaft Properties

Nominal Shaft OD	3.50"
Nominal Wall Thickness	0.300"
Design Wall Thickness	0.279"
Corroded Wall Thickness*	0.243"
Design Area Moment of Inertia	3.69 in. ⁴
Corroded Area Moment of Inertia*	3.21 in. ⁴
Design Section Modulus	2.06 in. ³
Corroded Section Modulus*	1.85 in. ³
Shaft Min. Yield Strength	55 ksi

Helix Properties

Standard Plate Thickness	0.5"
Available Plate Thicknesses	0.625" 0.75"
Plate Min. Yield Strength	50 ksi
Standard Helix Pitch	3"
Available Helix Pitch	6"
Cutting Profile Options	Standard V-Cut Seashell Cut

Connection Details

Coupling	Piertech Patented Cross-lock
Hardware	(2) 3/4"Ø Grade 5 Min.

Coating Options

Bare Steel
Hot-Dipped Galvanized per ASTM A123/153.

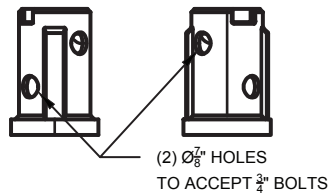
*Based on 50 years per AC358

SINGLE HELIX LEADS

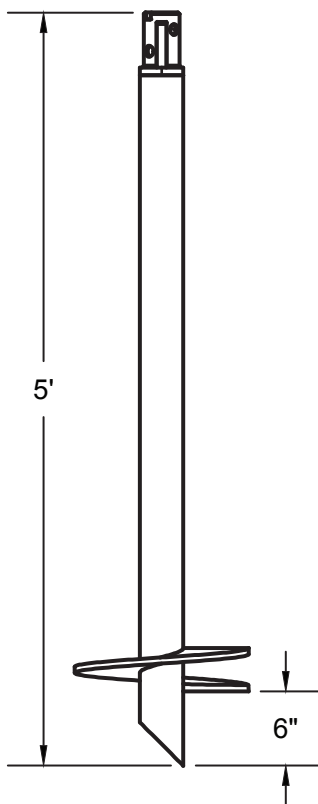
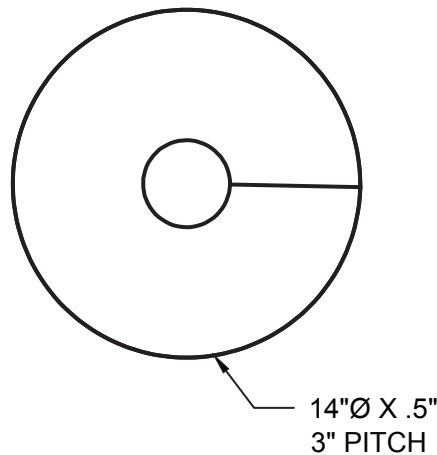
3.5-L514G or 3.5-L514B

3-1/2" 5FT. 14" HELIX LEAD

**PIERTECH PATENTED
CROSS-LOCK COUPLING**



**PRESS FORMED HELIX
W/ UNIFORM PITCH**



Other grades and wall thicknesses available upon request

PILE CAPACITY

Structural Capacity	80 kips(allowable), 160 kips(ultimate)
Torque Rating	13,500 ft-lbs
k_t Factor	7 ft ⁻¹

Geotechnical Capacity

Compression	47.25 kips (allowable), 94.5 kips (ultimate)
Tension	40 kips (allowable), 80 kips (ultimate)

PRODUCT SPECIFICATIONS

Shaft Properties

Nominal Shaft OD	3.50"
Nominal Wall Thickness	0.300"
Design Wall Thickness	0.279"
Corroded Wall Thickness*	0.243"
Design Area Moment of Inertia	3.69 in. ⁴
Corroded Area Moment of Inertia*	3.21 in. ⁴
Design Section Modulus	2.06 in. ³
Corroded Section Modulus*	1.85 in. ³
Shaft Min. Yield Strength	55 ksi

Helix Properties

Standard Plate Thickness	0.5"
Available Plate Thicknesses	0.625" 0.75"
Plate Min. Yield Strength	50 ksi
Standard Helix Pitch	3"
Available Helix Pitch	6"
Cutting Profile Options	Standard V-Cut Seashell Cut

Connection Details

Coupling	Pierotech Patented Cross-lock
Hardware	(2) 3/4"Ø Grade 5 Min.

Coating Options

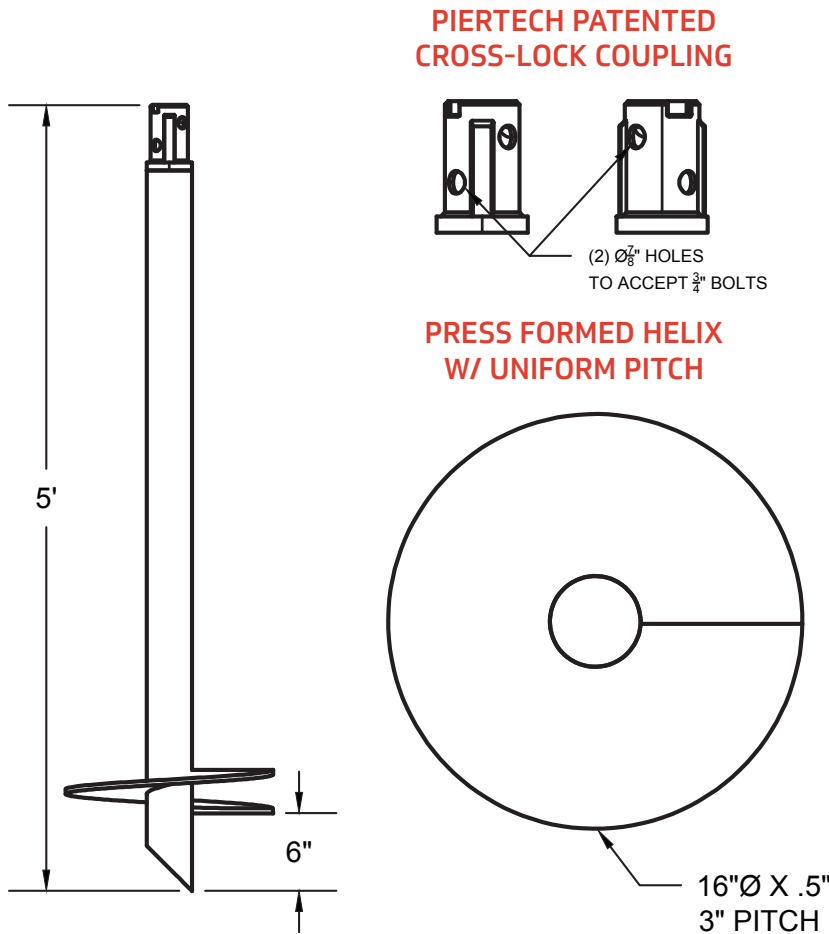
Bare Steel
Hot-Dipped Galvanized per ASTM A123/153.

*Based on 50 years per AC358

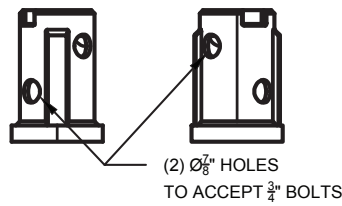
SINGLE HELIX LEADS

3-1/2" 5FT. 16" HELIX LEAD

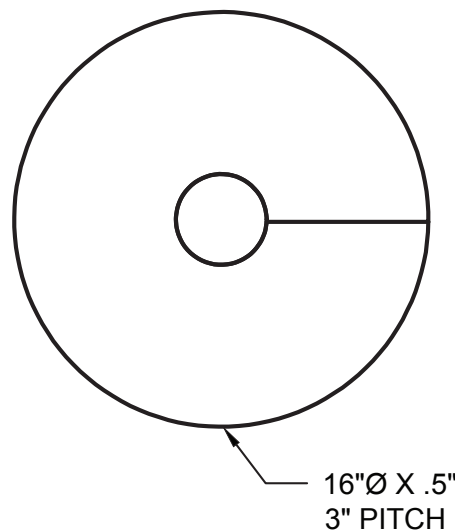
3.5-L516G or 3.5-L516B



**PIERTECH PATENTED
CROSS-LOCK COUPLING**



**PRESS FORMED HELIX
W/ UNIFORM PITCH**



Other grades and wall thicknesses available upon request

PILE CAPACITY

Structural Capacity	80 kips(allowable), 160 kips(ultimate)
Torque Rating	13,500 ft-lbs
k_t Factor	7 ft ⁻¹

Geotechnical Capacity

Compression	47.25 kips (allowable), 94.5 kips (ultimate)
Tension	40 kips (allowable), 80 kips (ultimate)

PRODUCT SPECIFICATIONS

Shaft Properties

Nominal Shaft OD	3.50"
Nominal Wall Thickness	0.300"
Design Wall Thickness	0.279"
Corroded Wall Thickness*	0.243"
Design Area Moment of Inertia	3.69 in. ⁴
Corroded Area Moment of Inertia*	3.21 in. ⁴
Design Section Modulus	2.06 in. ³
Corroded Section Modulus*	1.85 in. ³
Shaft Min. Yield Strength	55 ksi

Helix Properties

Standard Plate Thickness	0.5"
Available Plate Thicknesses	0.625" 0.75"
Plate Min. Yield Strength	50 ksi
Standard Helix Pitch	3"
Available Helix Pitch	6"
Cutting Profile Options	Standard V-Cut Seashell Cut

Connection Details

Coupling	Piertech Patented Cross-lock
Hardware	(2) 3/4"Ø Grade 5 Min.

Coating Options

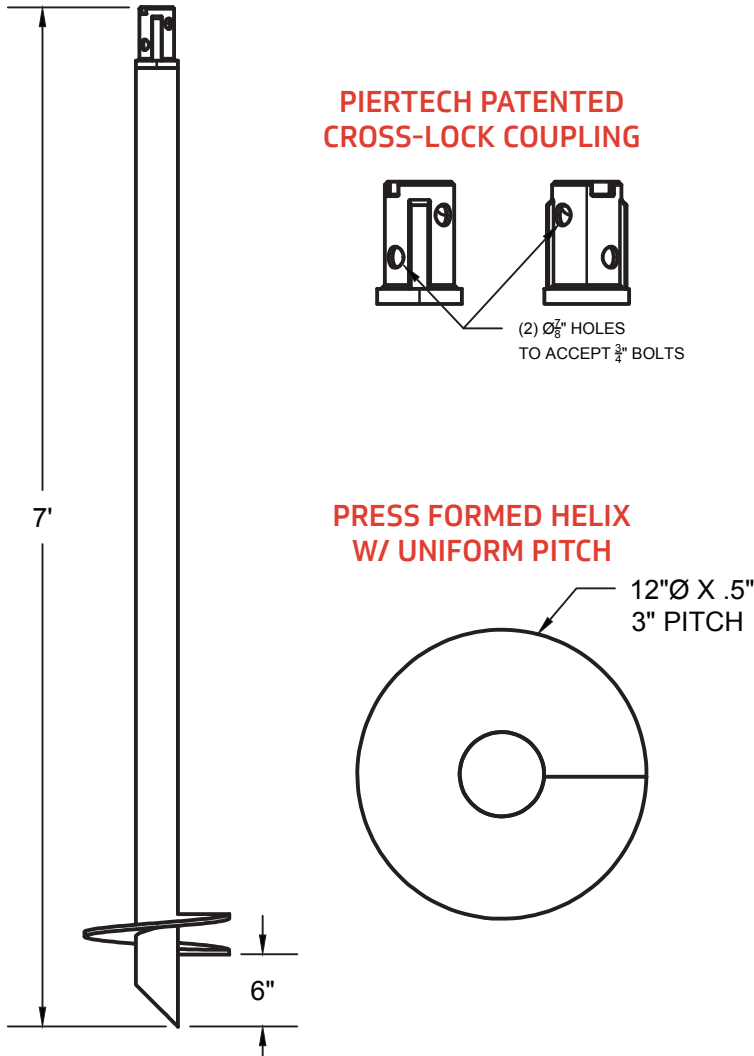
Bare Steel
Hot-Dipped Galvanized per ASTM A123/153.

*Based on 50 years per AC358

SINGLE HELIX LEADS

3.5-L712G or 3.5-L712B

3-1/2" 7FT. 12" HELIX LEAD



Other grades and wall thicknesses available upon request

PILE CAPACITY

Structural Capacity	80 kips(allowable), 160 kips(ultimate)
Torque Rating	13,500 ft-lbs
k_t Factor	7 ft ⁻¹

Geotechnical Capacity

Compression	47.25 kips (allowable), 94.5 kips (ultimate)
Tension	40 kips (allowable), 80 kips (ultimate)

PRODUCT SPECIFICATIONS

Shaft Properties

Nominal Shaft OD	3.50"
Nominal Wall Thickness	0.300"
Design Wall Thickness	0.279"
Corroded Wall Thickness*	0.243"
Design Area Moment of Inertia	3.69 in. ⁴
Corroded Area Moment of Inertia*	3.21 in. ⁴
Design Section Modulus	2.06 in. ³
Corroded Section Modulus*	1.85 in. ³
Shaft Min. Yield Strength	55 ksi

Helix Properties

Standard Plate Thickness	0.5"
Available Plate Thicknesses	0.625" 0.75"
Plate Min. Yield Strength	50 ksi
Standard Helix Pitch	3"
Available Helix Pitch	6"
Cutting Profile Options	Standard V-Cut Seashell Cut

Connection Details

Coupling	Piertech Patented Cross-lock
Hardware	(2) 3/4"Ø Grade 5 Min.

Coating Options

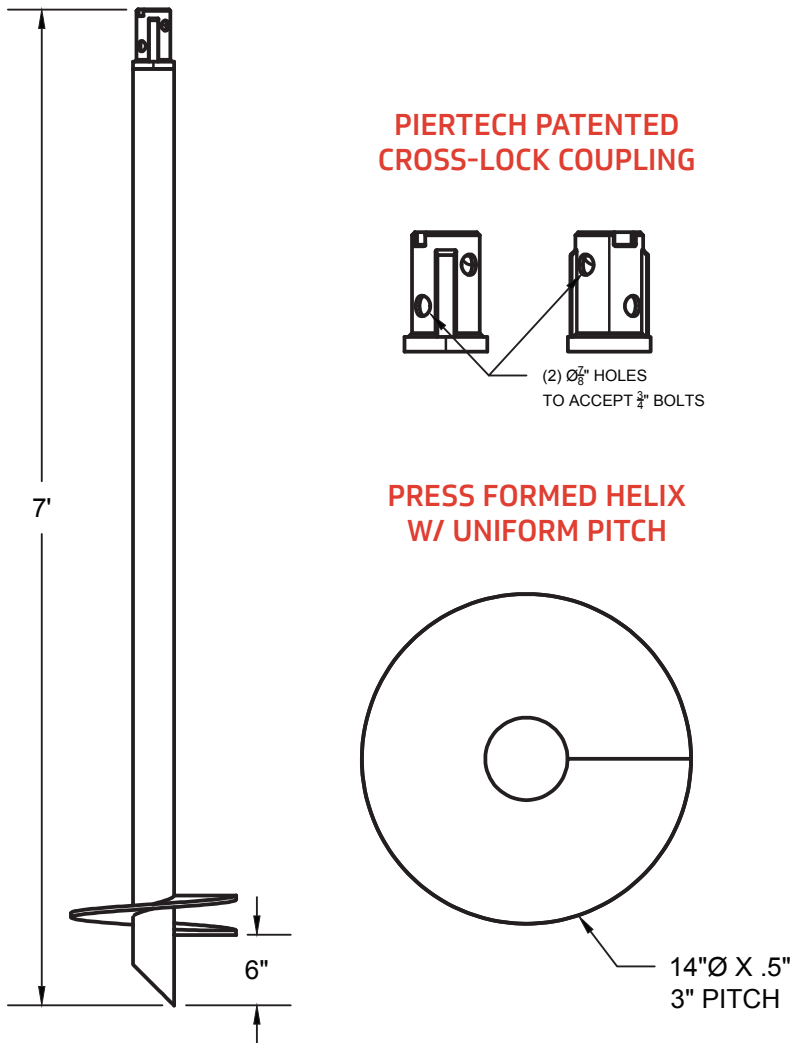
Bare Steel
Hot-Dipped Galvanized per ASTM A123/153.

*Based on 50 years per AC358

SINGLE HELIX LEADS

3-1/2" 7FT. 14" HELIX LEAD

3.5-L714G or 3.5-L714B



Other grades and wall thicknesses available upon request

PILE CAPACITY

Structural Capacity	80 kips(allowable), 160 kips(ultimate)
Torque Rating	13,500 ft-lbs
k_t Factor	7 ft ⁻¹

Geotechnical Capacity

Compression	47.25 kips (allowable), 94.5 kips (ultimate)
Tension	40 kips (allowable), 80 kips (ultimate)

PRODUCT SPECIFICATIONS

Shaft Properties

Nominal Shaft OD	3.50"
Nominal Wall Thickness	0.300"
Design Wall Thickness	0.279"
Corroded Wall Thickness*	0.243"
Design Area Moment of Inertia	3.69 in. ⁴
Corroded Area Moment of Inertia*	3.21 in. ⁴
Design Section Modulus	2.06 in. ³
Corroded Section Modulus*	1.85 in. ³
Shaft Min. Yield Strength	55 ksi

Helix Properties

Standard Plate Thickness	0.5"
Available Plate Thicknesses	0.625" 0.75"
Plate Min. Yield Strength	50 ksi
Standard Helix Pitch	3"
Available Helix Pitch	6"
Cutting Profile Options	Standard V-Cut Seashell Cut

Connection Details

Coupling	Piertech Patented Cross-lock
Hardware	(2) 3/4"Ø Grade 5 Min.

Coating Options

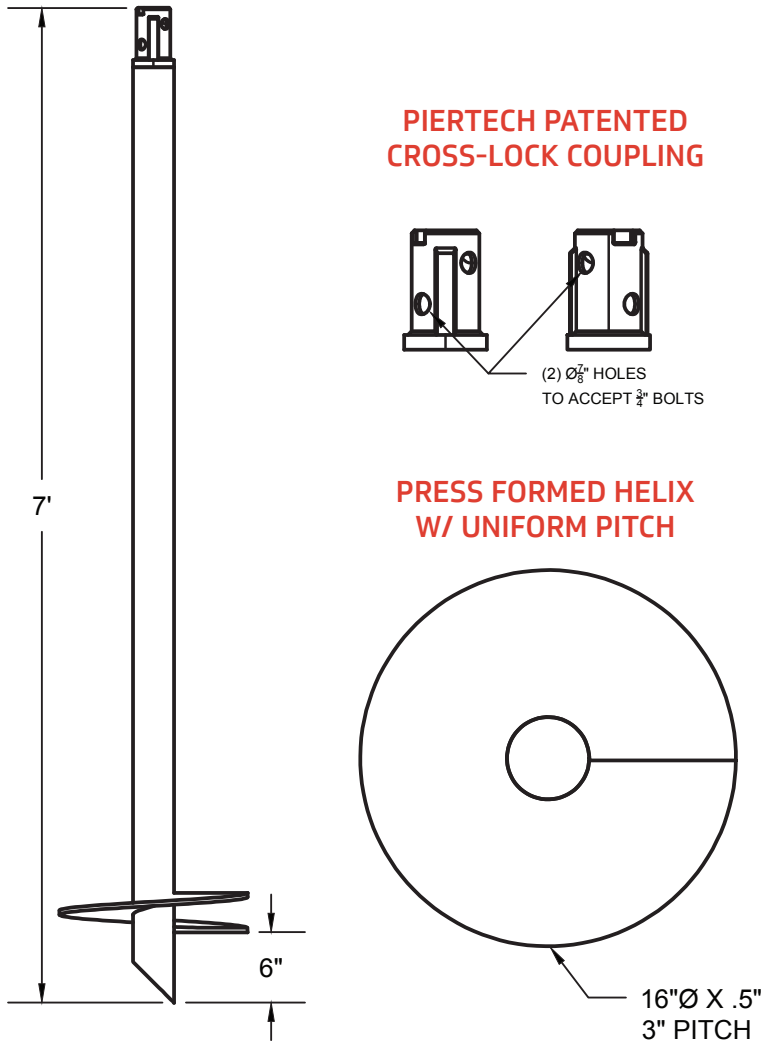
Bare Steel
Hot-Dipped Galvanized per ASTM A123/153.

*Based on 50 years per AC358

SINGLE HELIX LEADS

3.5-L716G or 3.5-L716B

3-1/2" 7FT. 16" HELIX LEAD



Other grades and wall thicknesses available upon request

PILE CAPACITY

Structural Capacity	80 kips(allowable), 160 kips(ultimate)
Torque Rating	13,500 ft-lbs
k_t Factor	7 ft ⁻¹

Geotechnical Capacity

Compression	47.25 kips (allowable), 94.5 kips (ultimate)
Tension	40 kips (allowable), 80 kips (ultimate)

PRODUCT SPECIFICATIONS

Shaft Properties

Nominal Shaft OD	3.50"
Nominal Wall Thickness	0.300"
Design Wall Thickness	0.279"
Corroded Wall Thickness*	0.243"
Design Area Moment of Inertia	3.69 in. ⁴
Corroded Area Moment of Inertia*	3.21 in. ⁴
Design Section Modulus	2.06 in. ³
Corroded Section Modulus*	1.85 in. ³
Shaft Min. Yield Strength	55 ksi

Helix Properties

Standard Plate Thickness	0.5"
Available Plate Thicknesses	0.625" 0.75"
Plate Min. Yield Strength	50 ksi
Standard Helix Pitch	3"
Available Helix Pitch	6"
Cutting Profile Options	Standard V-Cut Seashell Cut

Connection Details

Coupling	Piertech Patented Cross-lock
Hardware	(2) 3/4"Ø Grade 5 Min.

Coating Options

Bare Steel
Hot-Dipped Galvanized per ASTM A123/153.

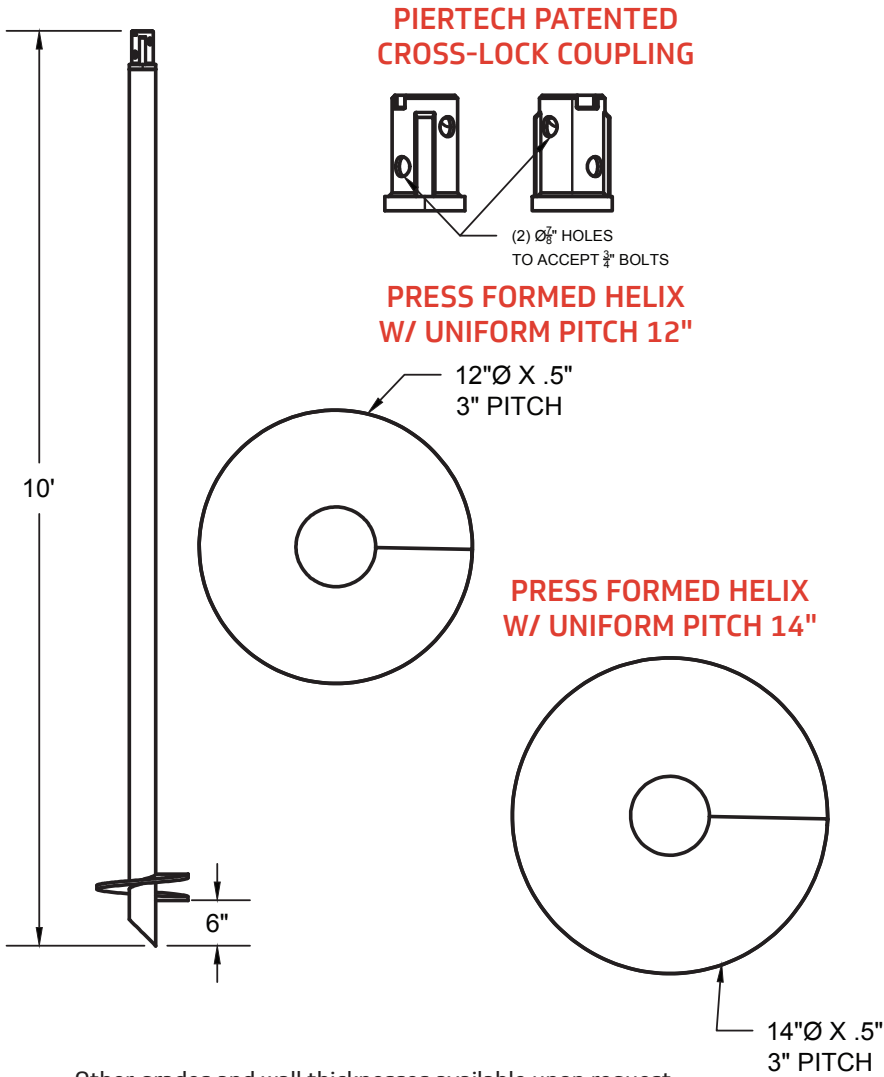
*Based on 50 years per AC358

SINGLE HELIX LEADS

3-1/2" 10FT. 12" HELIX LEAD
3-1/2" 10FT. 14" HELIX LEAD

3.5-L1012G or 3.5-L1012B

3.5-L1014G or 3.5-L1014B



Other grades and wall thicknesses available upon request

PILE CAPACITY

Structural Capacity	80 kips(allowable), 160 kips(ultimate)
Torque Rating	13,500 ft-lbs
k_t Factor	7 ft ⁻¹

Geotechnical Capacity

Compression	47.25 kips (allowable), 94.5 kips (ultimate)
Tension	40 kips (allowable), 80 kips (ultimate)

PRODUCT SPECIFICATIONS

Shaft Properties

Nominal Shaft OD	3.50"
Nominal Wall Thickness	0.300"
Design Wall Thickness	0.279"
Corroded Wall Thickness*	0.243"
Design Area Moment of Inertia	3.69 in. ⁴
Corroded Area Moment of Inertia*	3.21 in. ⁴
Design Section Modulus	2.06 in. ³
Corroded Section Modulus*	1.85 in. ³
Shaft Min. Yield Strength	55 ksi

Helix Properties

Standard Plate Thickness	0.5"
Available Plate Thicknesses	0.625" 0.75"
Plate Min. Yield Strength	50 ksi
Standard Helix Pitch	3"
Available Helix Pitch	6"
Cutting Profile Options	Standard V-Cut Seashell Cut

Connection Details

Coupling	Piertech Patented Cross-lock
Hardware	(2) 3/4"Ø Grade 5 Min.

Coating Options

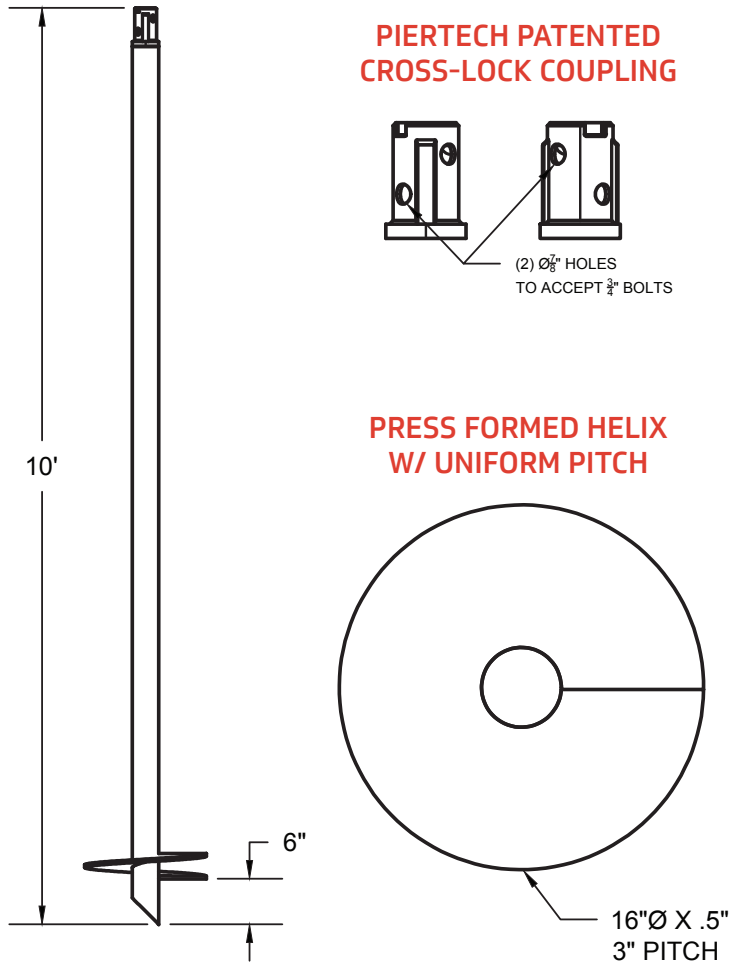
Bare Steel
Hot-Dipped Galvanized per ASTM A123/153.

*Based on 50 years per AC358

SINGLE HELIX LEADS

3-1/2" 10FT. 16" HELIX LEAD

3.5-L1016G or 3.5-L1016B



Other grades and wall thicknesses available upon request

PILE CAPACITY

Structural Capacity	80 kips(allowable), 160 kips(ultimate)
Torque Rating	13,500 ft-lbs
k_t Factor	7 ft ⁻¹

Geotechnical Capacity

Compression	47.25 kips (allowable), 94.5 kips (ultimate)
Tension	40 kips (allowable), 80 kips (ultimate)

PRODUCT SPECIFICATIONS

Shaft Properties

Nominal Shaft OD	3.50"
Nominal Wall Thickness	0.300"
Design Wall Thickness	0.279"
Corroded Wall Thickness*	0.243"
Design Area Moment of Inertia	3.69 in. ⁴
Corroded Area Moment of Inertia*	3.21 in. ⁴
Design Section Modulus	2.06 in. ³
Corroded Section Modulus*	1.85 in. ³
Shaft Min. Yield Strength	55 ksi

Helix Properties

Standard Plate Thickness	0.5"
Available Plate Thicknesses	0.625" 0.75"
Plate Min. Yield Strength	50 ksi
Standard Helix Pitch	3"
Available Helix Pitch	6"
Cutting Profile Options	Standard V-Cut Seashell Cut

Connection Details

Coupling	Piertech Patented Cross-lock
Hardware	(2) 3/4"Ø Grade 5 Min.

Coating Options

Bare Steel
Hot-Dipped Galvanized per ASTM A123/153.

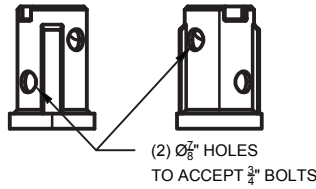
*Based on 50 years per AC358

DOUBLE HELIX LEADS

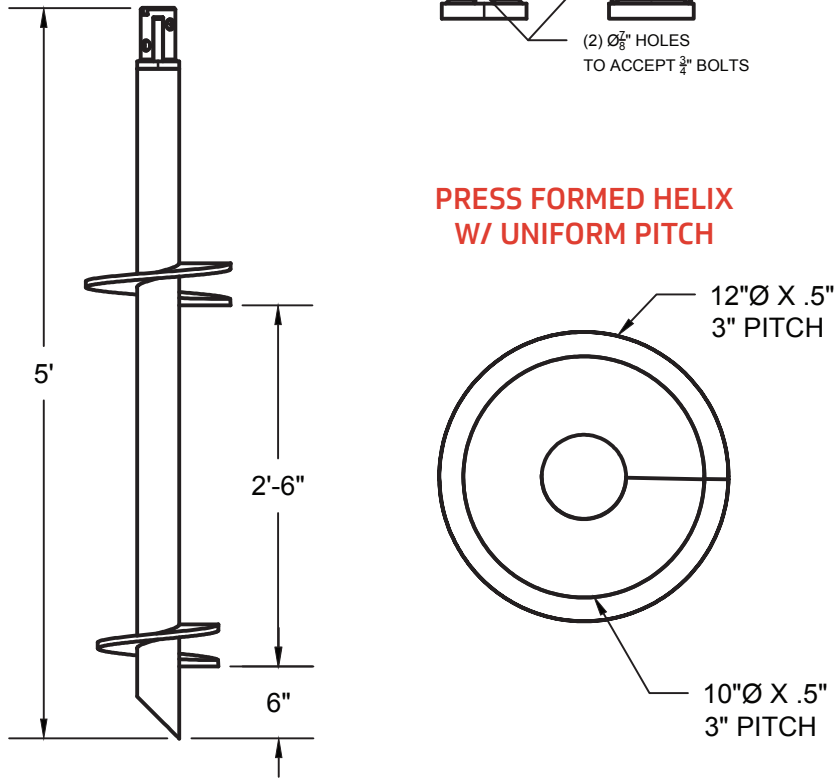
3-1/2" 5FT. 10"-12" HELIX LEAD

3.5-L51012G or 3.5-L51012B

**PIERTECH PATENTED
CROSS-LOCK COUPLING**



**PRESS FORMED HELIX
W/ UNIFORM PITCH**



PRODUCT SPECIFICATIONS

Shaft Properties

Nominal Shaft OD	3.50"
Nominal Wall Thickness	0.300"
Design Wall Thickness	0.279"
Corroded Wall Thickness*	0.243"
Design Area Moment of Inertia	3.69 in. ⁴
Corroded Area Moment of Inertia*	3.21 in. ⁴
Design Section Modulus	2.06 in. ³
Corroded Section Modulus*	1.85 in. ³
Shaft Min. Yield Strength	55 ksi

Helix Properties

Standard Plate Thickness	0.5"
Available Plate Thicknesses	0.625" 0.75"
Plate Min. Yield Strength	50 ksi
Standard Helix Pitch	3"
Available Helix Pitch	6"

Cutting Profile Options	Standard V-Cut Seashell Cut
-------------------------	-----------------------------------

Connection Details

Coupling	Piertech Patented Cross-lock
Hardware	(2) 3/4"Ø Grade 5 Min.

Coating Options

Bare Steel
Hot-Dipped Galvanized per ASTM A123/153.

*Based on 50 years per AC358

Other grades and wall thicknesses available upon request

PILE CAPACITY

Structural Capacity	80 kips(allowable), 160 kips(ultimate)
Torque Rating	13,500 ft-lbs
k _t Factor	7 ft ⁻¹

Geotechnical Capacity

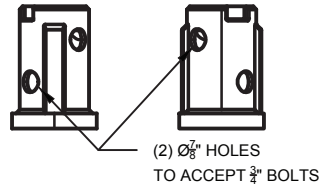
Compression	47.25 kips (allowable), 94.5 kips (ultimate)
Tension	40 kips (allowable), 80 kips (ultimate)

DOUBLE HELIX LEADS

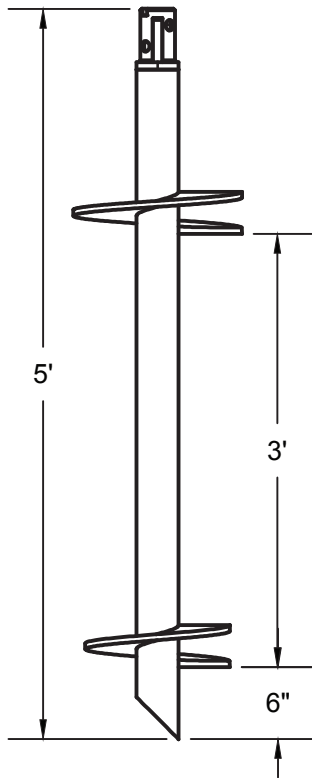
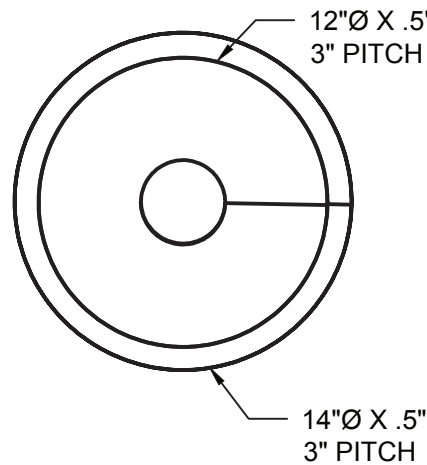
3.5-L51214G or 3.5-L51214B

3-1/2" 5FT. 12"-14" HELIX LEAD

**PIERTECH PATENTED
CROSS-LOCK COUPLING**



**PRESS FORMED HELIX
W/ UNIFORM PITCH**



Other grades and wall thicknesses available upon request

PILE CAPACITY

Structural Capacity	80 kips(allowable), 160 kips(ultimate)
Torque Rating	13,500 ft-lbs
k_t Factor	7 ft ⁻¹

Geotechnical Capacity

Compression	47.25 kips (allowable), 94.5 kips (ultimate)
Tension	40 kips (allowable), 80 kips (ultimate)

PRODUCT SPECIFICATIONS

Shaft Properties

Nominal Shaft OD	3.50"
Nominal Wall Thickness	0.300"
Design Wall Thickness	0.279"
Corroded Wall Thickness*	0.243"
Design Area Moment of Inertia	3.69 in. ⁴
Corroded Area Moment of Inertia*	3.21 in. ⁴
Design Section Modulus	2.06 in. ³
Corroded Section Modulus*	1.85 in. ³
Shaft Min. Yield Strength	55 ksi

Helix Properties

Standard Plate Thickness	0.5"
Available Plate Thicknesses	0.625" 0.75"
Plate Min. Yield Strength	50 ksi
Standard Helix Pitch	3"
Available Helix Pitch	6"
Cutting Profile Options	Standard V-Cut Seashell Cut

Connection Details

Coupling	Pierotech Patented Cross-lock
Hardware	(2) 3/4"Ø Grade 5 Min.

Coating Options

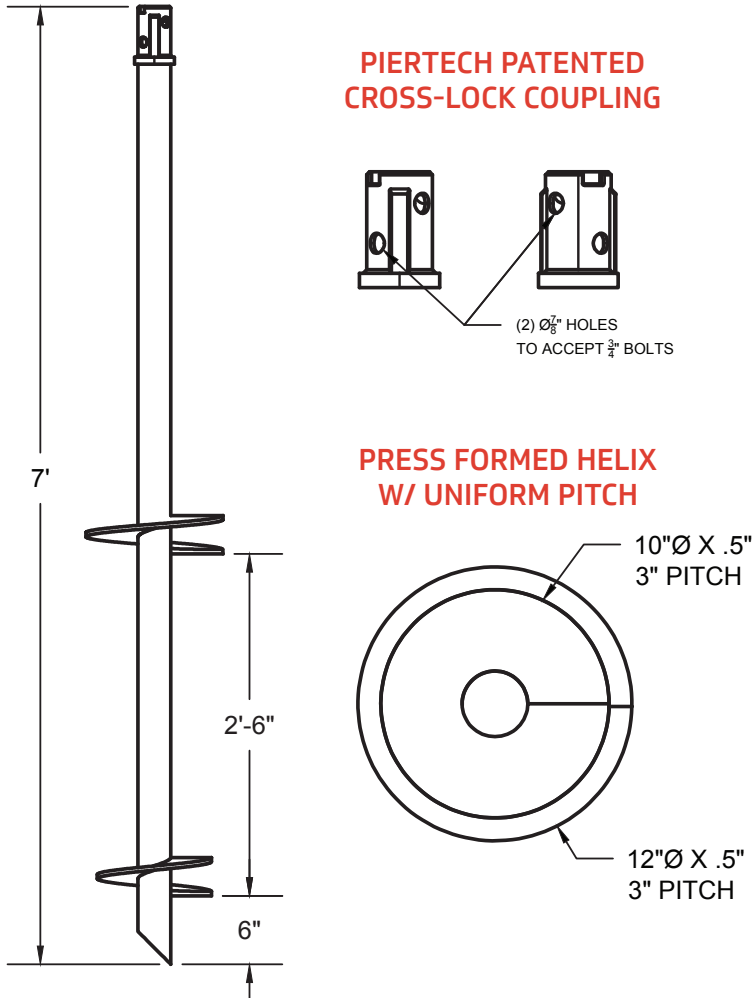
Bare Steel
Hot-Dipped Galvanized per ASTM A123/153.

*Based on 50 years per AC308

DOUBLE HELIX LEADS

3-1/2" 7FT. 10"-12" HELIX LEAD

3.5-L71012G or 3.5-L71012B



Other grades and wall thicknesses available upon request

PILE CAPACITY

Structural Capacity	80 kips(allowable), 160 kips(ultimate)
Torque Rating	13,500 ft-lbs
k_t Factor	7 ft ⁻¹

Geotechnical Capacity

Compression	47.25 kips (allowable), 94.5 kips (ultimate)
Tension	40 kips (allowable), 80 kips (ultimate)

PRODUCT SPECIFICATIONS

Shaft Properties

Nominal Shaft OD	3.50"
Nominal Wall Thickness	0.300"
Design Wall Thickness	0.279"
Corroded Wall Thickness*	0.243"
Design Area Moment of Inertia	3.69 in. ⁴
Corroded Area Moment of Inertia*	3.21 in. ⁴
Design Section Modulus	2.06 in. ³
Corroded Section Modulus*	1.85 in. ³
Shaft Min. Yield Strength	55 ksi

Helix Properties

Standard Plate Thickness	0.5"
Available Plate Thicknesses	0.625" 0.75"
Plate Min. Yield Strength	50 ksi
Standard Helix Pitch	3"
Available Helix Pitch	6"
Cutting Profile Options	Standard V-Cut Seashell Cut

Connection Details

Coupling	Piertech Patented Cross-lock
Hardware	(2) 3/4"Ø Grade 5 Min.

Coating Options

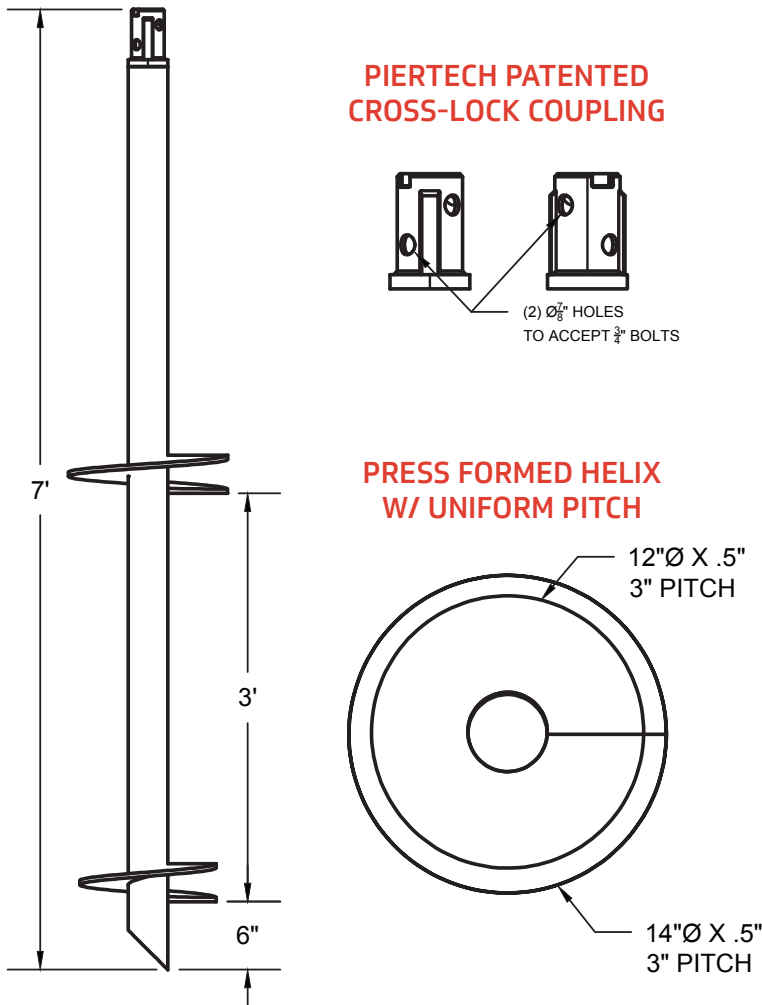
Bare Steel
Hot-Dipped Galvanized per ASTM A123/153.

*Based on 50 years per AC308

DOUBLE HELIX LEADS

3.5-L71214G or 3.5-L71214B

3-1/2" 7FT. 12"-14" HELIX LEAD



Other grades and wall thicknesses available upon request

PILE CAPACITY

Structural Capacity	80 kips(allowable), 160 kips(ultimate)
Torque Rating	13,500 ft-lbs
k_t Factor	7 ft ⁻¹

Geotechnical Capacity

Compression	47.25 kips (allowable), 94.5 kips (ultimate)
Tension	40 kips (allowable), 80 kips (ultimate)

PRODUCT SPECIFICATIONS

Shaft Properties

Nominal Shaft OD	3.50"
Nominal Wall Thickness	0.300"
Design Wall Thickness	0.279"
Corroded Wall Thickness*	0.243"
Design Area Moment of Inertia	3.69 in. ⁴
Corroded Area Moment of Inertia*	3.21 in. ⁴
Design Section Modulus	2.06 in. ³
Corroded Section Modulus*	1.85 in. ³
Shaft Min. Yield Strength	55 ksi

Helix Properties

Standard Plate Thickness	0.5"
Available Plate Thicknesses	0.625" 0.75"
Plate Min. Yield Strength	50 ksi
Standard Helix Pitch	3"
Available Helix Pitch	6"
Cutting Profile Options	Standard V-Cut Seashell Cut

Connection Details

Coupling	Piertech Patented Cross-lock
Hardware	(2) 3/4"Ø Grade 5 Min.

Coating Options

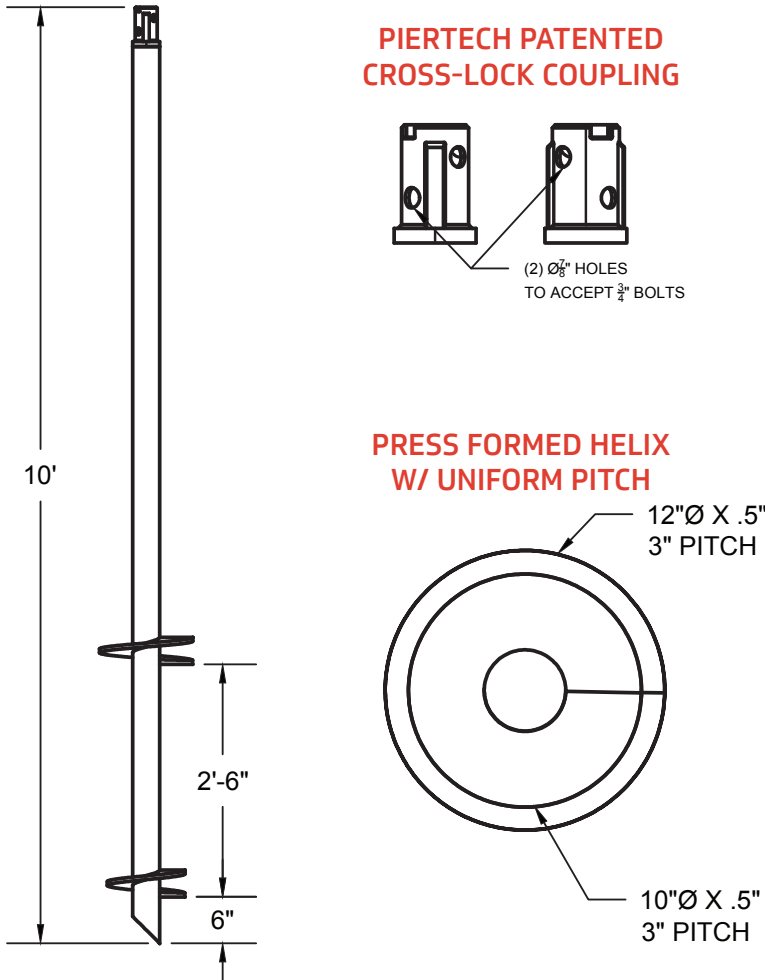
Bare Steel
Hot-Dipped Galvanized per ASTM A123/153.

*Based on 50 years per AC308

DOUBLE HELIX LEADS

3-1/2" 10FT. 10"-12" HELIX LEAD

3.5-L101012G or 3.5-L101012B



Other grades and wall thicknesses available upon request

PILE CAPACITY

Structural Capacity	80 kips(allowable), 160 kips(ultimate)
Torque Rating	13,500 ft-lbs
k_t Factor	7 ft ⁻¹

Geotechnical Capacity

Compression	47.25 kips (allowable), 94.5 kips (ultimate)
Tension	40 kips (allowable), 80 kips (ultimate)

PRODUCT SPECIFICATIONS

Shaft Properties

Nominal Shaft OD	3.50"
Nominal Wall Thickness	0.300"
Design Wall Thickness	0.279"
Corroded Wall Thickness*	0.243"
Design Area Moment of Inertia	3.69 in. ⁴
Corroded Area Moment of Inertia*	3.21 in. ⁴
Design Section Modulus	2.06 in. ³
Corroded Section Modulus*	1.85 in. ³
Shaft Min. Yield Strength	55 ksi

Helix Properties

Standard Plate Thickness	0.5"
Available Plate Thicknesses	0.625" 0.75"
Plate Min. Yield Strength	50 ksi
Standard Helix Pitch	3"
Available Helix Pitch	6"
Cutting Profile Options	Standard V-Cut Seashell Cut

Connection Details

Coupling	Piertech Patented Cross-lock
Hardware	(2) 3/4"Ø Grade 5 Min.

Coating Options

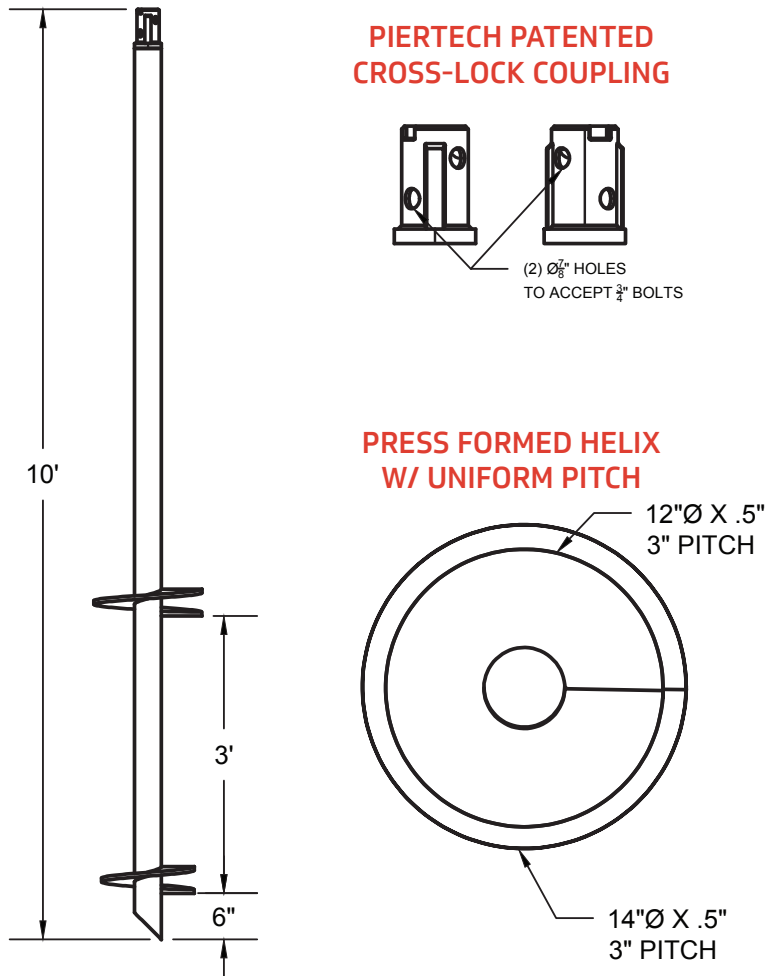
Bare Steel
Hot-Dipped Galvanized per ASTM A123/153.

*Based on 50 years per AC358

DOUBLE HELIX LEADS

3.5-L101214G or 3.5-L101214B

3-1/2" 10FT. 12"-14" HELIX LEAD



Other grades and wall thicknesses available upon request

PILE CAPACITY

Structural Capacity	80 kips(allowable), 160 kips(ultimate)
Torque Rating	13,500 ft-lbs
k_t Factor	7 ft ⁻¹

Geotechnical Capacity

Compression	47.25 kips (allowable), 94.5 kips (ultimate)
Tension	40 kips (allowable), 80 kips (ultimate)

PRODUCT SPECIFICATIONS

Shaft Properties

Nominal Shaft OD	3.50"
Nominal Wall Thickness	0.300"
Design Wall Thickness	0.279"
Corroded Wall Thickness*	0.243"
Design Area Moment of Inertia	3.69 in. ⁴
Corroded Area Moment of Inertia*	3.21 in. ⁴
Design Section Modulus	2.06 in. ³
Corroded Section Modulus*	1.85 in. ³
Shaft Min. Yield Strength	55 ksi

Helix Properties

Standard Plate Thickness	0.5"
Available Plate Thicknesses	0.625" 0.75"
Plate Min. Yield Strength	50 ksi
Standard Helix Pitch	3"
Available Helix Pitch	6"
Cutting Profile Options	Standard V-Cut Seashell Cut

Connection Details

Coupling	Piertech Patented Cross-lock
Hardware	(2) 3/4"Ø Grade 5 Min.

Coating Options

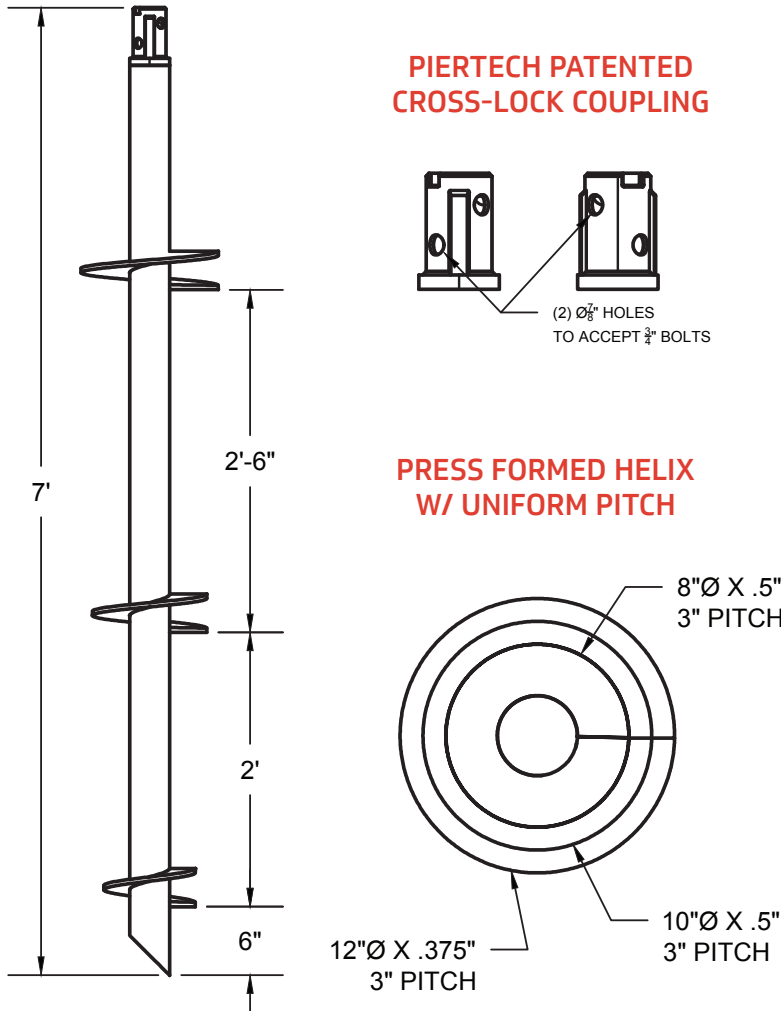
Bare Steel
Hot-Dipped Galvanized per ASTM A123/153.

*Based on 50 years per AC308

TRIPLE HELIX LEADS

3-1/2" 7FT. 8"-10"-12" HELIX LEAD

3.5-L781012G or 3.5-L781012B



Other grades and wall thicknesses available upon request

PILE CAPACITY

Structural Capacity	80 kips(allowable), 160 kips(ultimate)
Torque Rating	13,500 ft-lbs
k_t Factor	7 ft ⁻¹

Geotechnical Capacity

Compression	47.25 kips (allowable), 94.5 kips (ultimate)
Tension	40 kips (allowable), 80 kips (ultimate)

PRODUCT SPECIFICATIONS

Shaft Properties

Nominal Shaft OD	3.50"
Nominal Wall Thickness	0.300"
Design Wall Thickness	0.279"
Corroded Wall Thickness*	0.243"
Design Area Moment of Inertia	3.69 in. ⁴
Corroded Area Moment of Inertia*	3.21 in. ⁴
Design Section Modulus	2.06 in. ³
Corroded Section Modulus*	1.85 in. ³
Shaft Min. Yield Strength	55 ksi

Helix Properties

Standard Plate Thickness	0.5"
Available Plate Thicknesses	0.625" 0.75"
Plate Min. Yield Strength	50 ksi
Standard Helix Pitch	3"
Available Helix Pitch	6"

Cutting Profile Options	Standard V-Cut Seashell Cut
-------------------------	-----------------------------------

Connection Details

Coupling	Piertech Patented Cross-lock
Hardware	(2) 3/4"Ø Grade 5 Min.

Coating Options

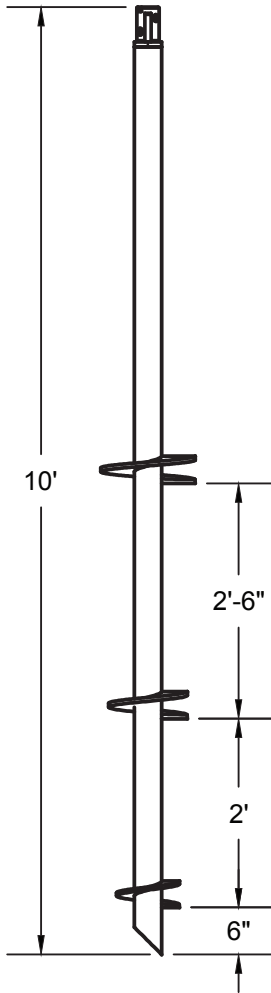
Bare Steel
Hot-Dipped Galvanized per ASTM A123/153.

*Based on 50 years per AC358

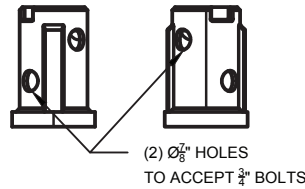
TRIPLE HELIX LEADS

3.5-L1081012G or 3.5-L1081012B

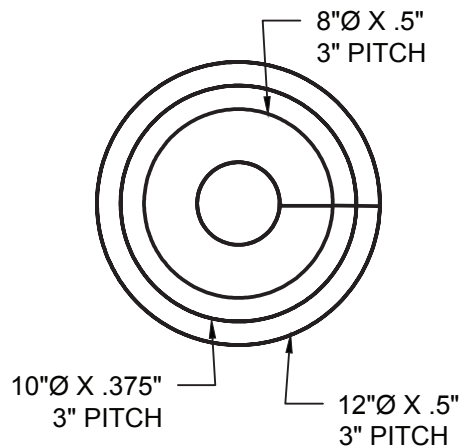
3-1/2" 10FT. 8"-10"-12" HELIX LEAD



PIERTECH PATENTED CROSS-LOCK COUPLING



PRESS FORMED HELIX W/ UNIFORM PITCH



Other grades and wall thicknesses available upon request

PILE CAPACITY

Structural Capacity	80 kips(allowable), 160 kips(ultimate)
Torque Rating	13,500 ft-lbs
k_t Factor	7 ft ⁻¹

Geotechnical Capacity

Compression	47.25 kips (allowable), 94.5 kips (ultimate)
Tension	40 kips (allowable), 80 kips (ultimate)

PRODUCT SPECIFICATIONS

Shaft Properties

Nominal Shaft OD	3.50"
Nominal Wall Thickness	0.300"
Design Wall Thickness	0.279"
Corroded Wall Thickness*	0.243"
Design Area Moment of Inertia	3.69 in. ⁴
Corroded Area Moment of Inertia*	3.21 in. ⁴
Design Section Modulus	2.06 in. ³
Corroded Section Modulus*	1.85 in. ³
Shaft Min. Yield Strength	55 ksi

Helix Properties

Standard Plate Thickness	0.5"
Available Plate Thicknesses	0.625" 0.75"
Plate Min. Yield Strength	50 ksi
Standard Helix Pitch	3"
Available Helix Pitch	6"
Cutting Profile Options	Standard V-Cut Seashell Cut

Connection Details

Coupling	Pierotech Patented Cross-lock
Hardware	(2) 3/4"Ø Grade 5 Min.

Coating Options

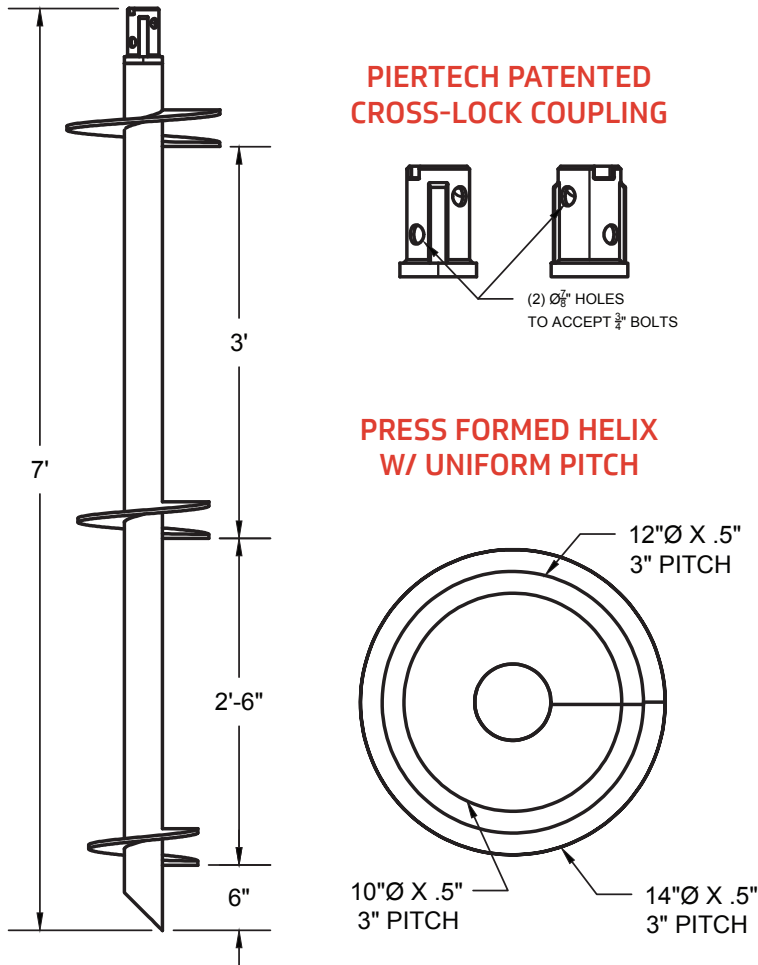
Bare Steel
Hot-Dipped Galvanized per ASTM A123/153.

*Based on 50 years per AC308

TRIPLE HELIX LEADS

3-1/2" 7FT. 10"-12"-14" HELIX LEAD

3.5-L7101214G or 3.5-L7101214B



Other grades and wall thicknesses available upon request

PILE CAPACITY

Structural Capacity	80 kips(allowable), 160 kips(ultimate)
Torque Rating	13,500 ft-lbs
k_t Factor	7 ft ⁻¹

Geotechnical Capacity

Compression	47.25 kips (allowable), 94.5 kips (ultimate)
Tension	40 kips (allowable), 80 kips (ultimate)

PRODUCT SPECIFICATIONS

Shaft Properties

Nominal Shaft OD	3.50"
Nominal Wall Thickness	0.300"
Design Wall Thickness	0.279"
Corroded Wall Thickness*	0.243"
Design Area Moment of Inertia	3.69 in. ⁴
Corroded Area Moment of Inertia*	3.21 in. ⁴
Design Section Modulus	2.06 in. ³
Corroded Section Modulus*	1.85 in. ³
Shaft Min. Yield Strength	55 ksi

Helix Properties

Standard Plate Thickness	0.5"
Available Plate Thicknesses	0.625" 0.75"
Plate Min. Yield Strength	50 ksi
Standard Helix Pitch	3"
Available Helix Pitch	6"

Cutting Profile Options	Standard V-Cut Seashell Cut
-------------------------	-----------------------------------

Connection Details

Coupling	Piertech Patented Cross-lock
Hardware	(2) 3/4"Ø Grade 5 Min.

Coating Options

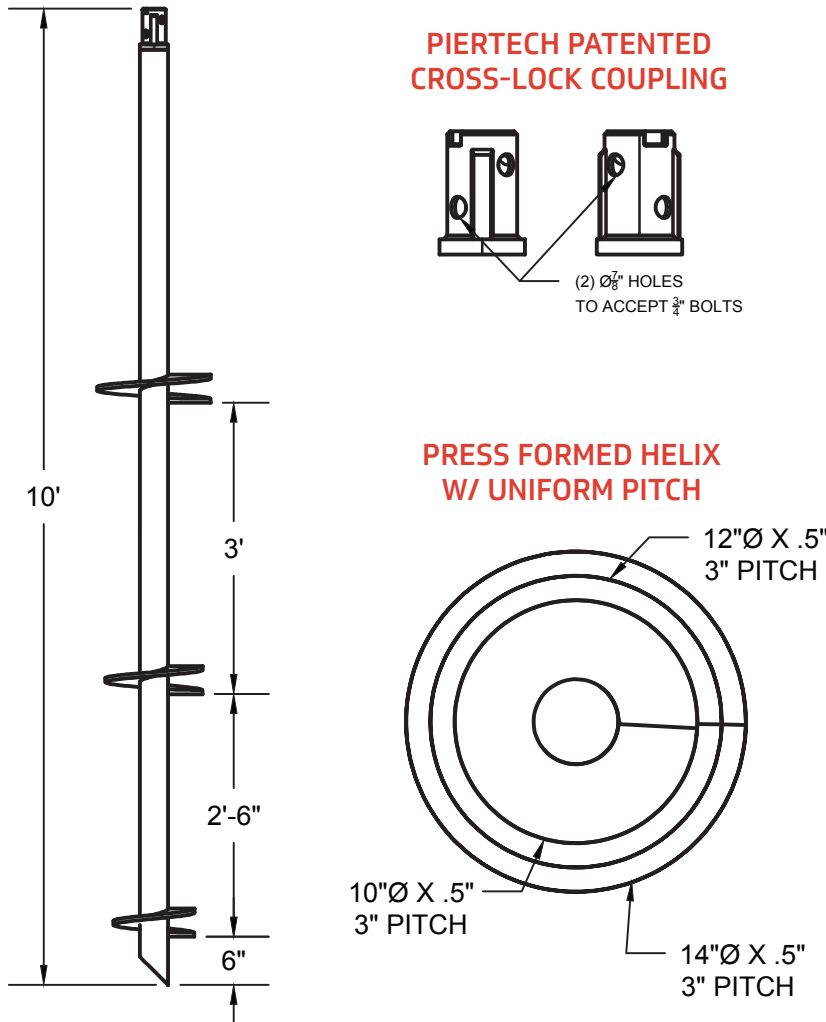
Bare Steel
Hot-Dipped Galvanized per ASTM A123/153.

*Based on 50 years per AC358

TRIPLE HELIX LEADS

3.5-L10101214G or 3.5-L10101214B

3-1/2" 10FT. 10"-12"-14" HELIX LEAD



Other grades and wall thicknesses available upon request

PILE CAPACITY

Structural Capacity	80 kips(allowable), 160 kips(ultimate)
Torque Rating	13,500 ft-lbs
k_t Factor	7 ft ⁻¹

Geotechnical Capacity

Compression	47.25 kips (allowable), 94.5 kips (ultimate)
Tension	40 kips (allowable), 80 kips (ultimate)

PRODUCT SPECIFICATIONS

Shaft Properties

Nominal Shaft OD	3.50"
Nominal Wall Thickness	0.300"
Design Wall Thickness	0.279"
Corroded Wall Thickness*	0.243"
Design Area Moment of Inertia	3.69 in. ⁴
Corroded Area Moment of Inertia*	3.21 in. ⁴
Design Section Modulus	2.06 in. ³
Corroded Section Modulus*	1.85 in. ³
Shaft Min. Yield Strength	55 ksi

Helix Properties

Standard Plate Thickness	0.5"
Available Plate Thicknesses	0.625" 0.75"
Plate Min. Yield Strength	50 ksi
Standard Helix Pitch	3"
Available Helix Pitch	6"
Cutting Profile Options	Standard V-Cut Seashell Cut

Connection Details

Coupling	Piertech Patented Cross-lock
Hardware	(2) 3/4"Ø Grade 5 Min.

Coating Options

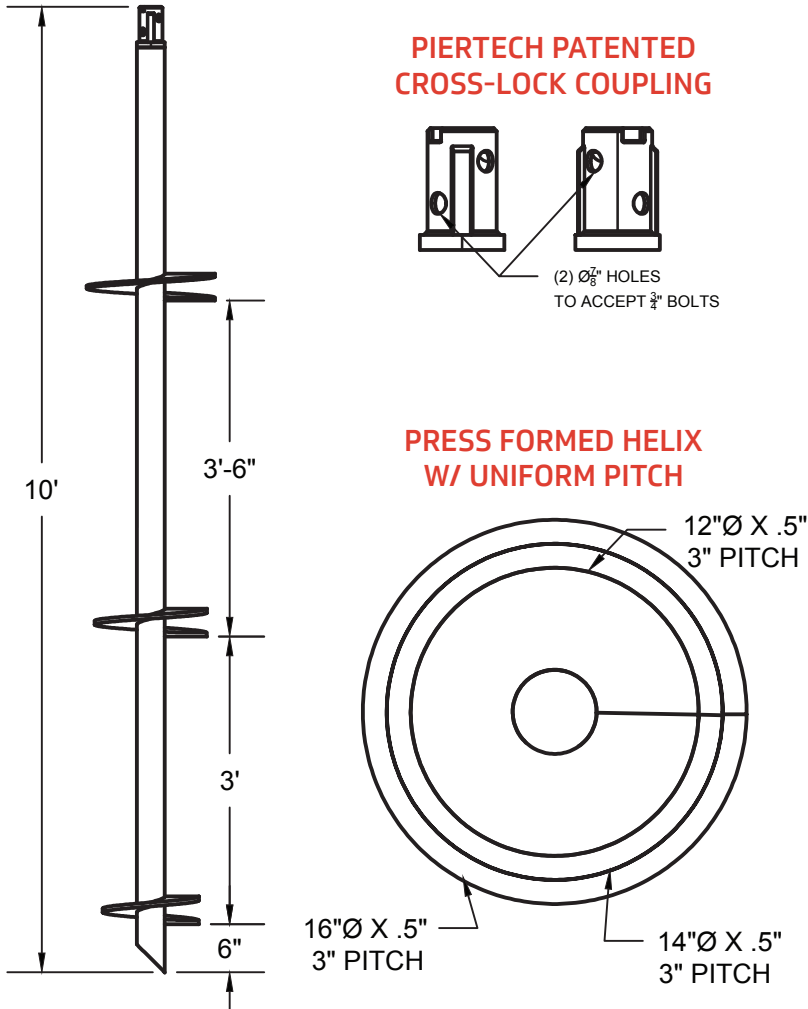
Bare Steel
Hot-Dipped Galvanized per ASTM A123/153.

*Based on 50 years per AC358

TRIPLE HELIX LEADS

3-1/2" 10FT. 12"-14"-16" HELIX LEAD

**3.5-L10121416G or
3.5-L10121416B**



Other grades and wall thicknesses available upon request

PILE CAPACITY

Structural Capacity	80 kips(allowable), 160 kips(ultimate)
Torque Rating	13,500 ft-lbs
k_t Factor	7 ft ⁻¹

Geotechnical Capacity

Compression	47.25 kips (allowable), 94.5 kips (ultimate)
Tension	40 kips (allowable), 80 kips (ultimate)

PRODUCT SPECIFICATIONS

Shaft Properties

Nominal Shaft OD	3.50"
Nominal Wall Thickness	0.300"
Design Wall Thickness	0.279"
Corroded Wall Thickness*	0.243"
Design Area Moment of Inertia	3.69 in. ⁴
Corroded Area Moment of Inertia*	3.21 in. ⁴
Design Section Modulus	2.06 in. ³
Corroded Section Modulus*	1.85 in. ³
Shaft Min. Yield Strength	55 ksi

Helix Properties

Standard Plate Thickness	0.5"
Available Plate Thicknesses	0.625" 0.75"
Plate Min. Yield Strength	50 ksi
Standard Helix Pitch	3"
Available Helix Pitch	6"
Cutting Profile Options	Standard V-Cut Seashell Cut

Connection Details

Coupling	Piertech Patented Cross-lock
Hardware	(2) 3/4"Ø Grade 5 Min.

Coating Options

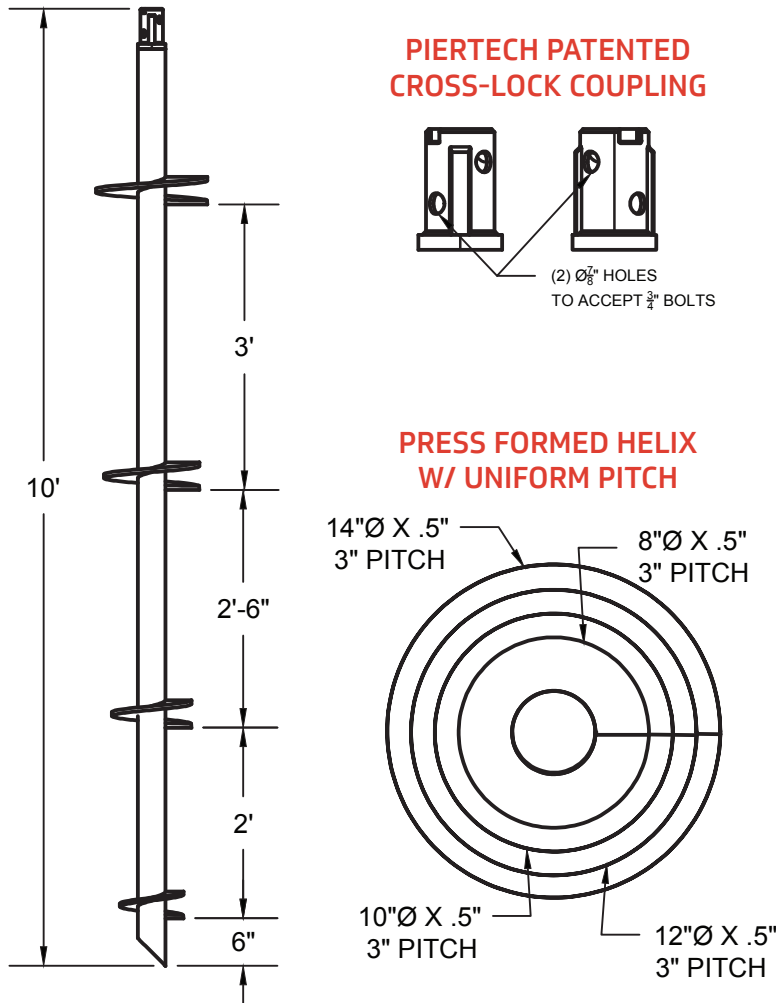
Bare Steel
Hot-Dipped Galvanized per ASTM A123/153.

*Based on 50 years per AC358

TRIPLE HELIX LEADS

3.5-L108101214G or
3.5-L108101214B

3-1/2" 10FT. 8"-10"-12"-14" HELIX LEAD



PRODUCT SPECIFICATIONS

Shaft Properties

Nominal Shaft OD	3.50"
Nominal Wall Thickness	0.300"
Design Wall Thickness	0.279"
Corroded Wall Thickness*	0.243"
Design Area Moment of Inertia	3.69 in. ⁴
Corroded Area Moment of Inertia*	3.21 in. ⁴
Design Section Modulus	2.06 in. ³
Corroded Section Modulus*	1.85 in. ³
Shaft Min. Yield Strength	55 ksi

Helix Properties

Standard Plate Thickness	0.5"
Available Plate Thicknesses	0.625" 0.75"
Plate Min. Yield Strength	50 ksi
Standard Helix Pitch	3"
Available Helix Pitch	6"
Cutting Profile Options	Standard V-Cut Seashell Cut

Other grades and wall thicknesses available upon request

PILE CAPACITY

Structural Capacity	80 kips(allowable), 160 kips(ultimate)
Torque Rating	13,500 ft-lbs
k _t Factor	7 ft ⁻¹

Geotechnical Capacity

Compression	47.25 kips (allowable), 94.5 kips (ultimate)
Tension	40 kips (allowable), 80 kips (ultimate)

Connection Details

Coupling	Piertech Patented Cross-lock
Hardware	(2) 3/4"Ø Grade 5 Min.

Coating Options

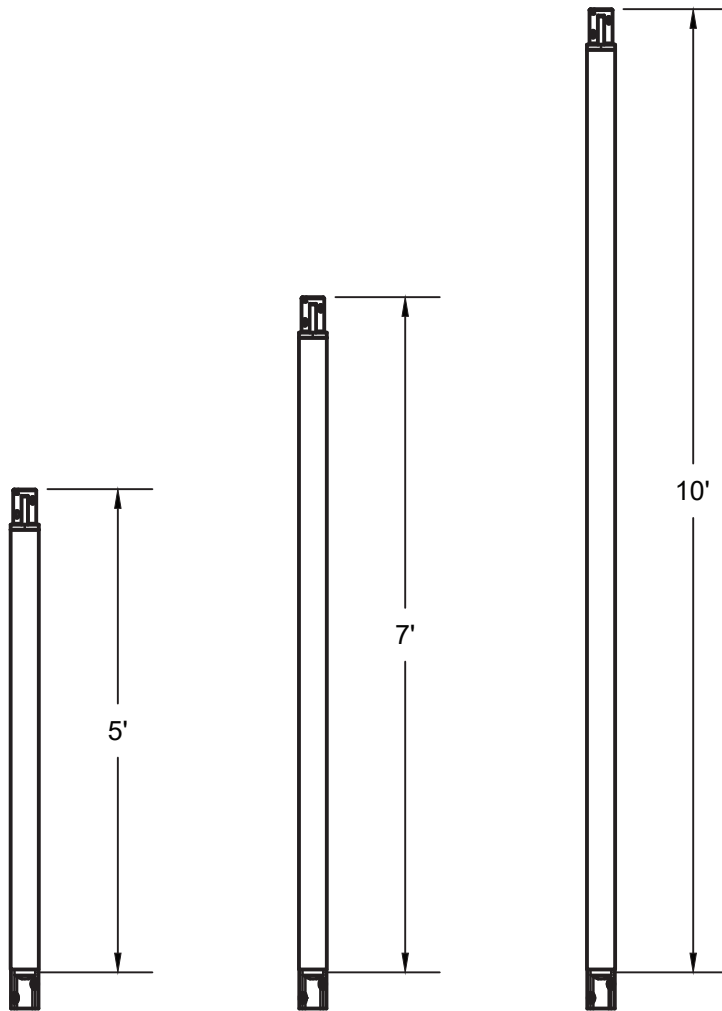
Bare Steel
Hot-Dipped Galvanized per ASTM A123/153.

*Based on 50 years per AC358

EXTENSIONS

3-1/2" 5FT, 7FT, 10FT, EXTENSION

**3.5-E5G or 3.5-E5B, 3.5-E7G or
3.5-E7B, 3.5-E10G or 3.5-E10B**



Other grades and wall thicknesses available upon request

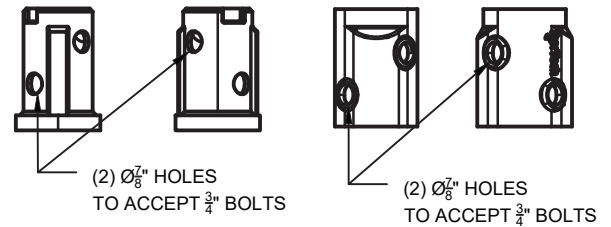
PILE CAPACITY

Structural Capacity	80 kips(allowable), 160 kips(ultimate)
Torque Rating	13,500 ft-lbs
k_t Factor	7 ft ⁻¹

Geotechnical Capacity

Compression	47.25 kips (allowable), 94.5 kips (ultimate)
Tension	40 kips (allowable), 80 kips (ultimate)

PIERTECH PATENTED CROSS-LOCK COUPLING



PRODUCT SPECIFICATIONS

Shaft Properties

Nominal Shaft OD	3.50"
Nominal Wall Thickness	0.300"
Design Wall Thickness	0.279"
Corroded Wall Thickness*	0.243"
Design Area Moment of Inertia	3.69 in. ⁴
Corroded Area Moment of Inertia*	3.21 in. ⁴
Design Section Modulus	2.06 in. ³
Corroded Section Modulus*	1.85 in. ³
Shaft Min. Yield Strength	55 ksi

Connection Details

Coupling	Piertech Patented Cross-lock
Hardware	(2) $\frac{3}{4}$ " \emptyset Grade 5 Min.

Coating Options

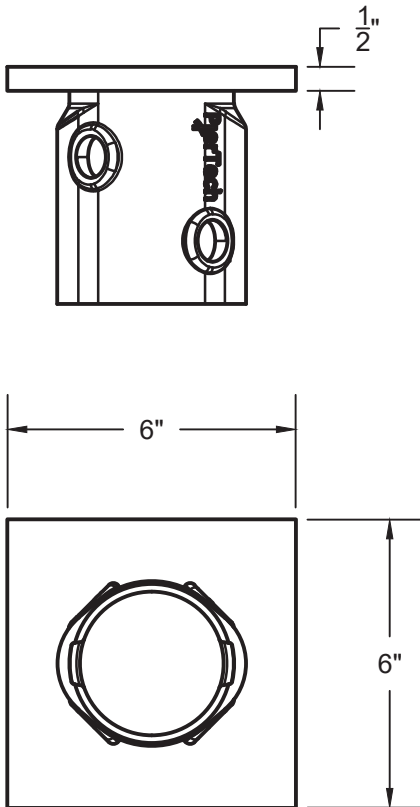
Bare Steel
Hot-Dipped Galvanized per ASTM A123/153.

*Based on 50 years per AC308

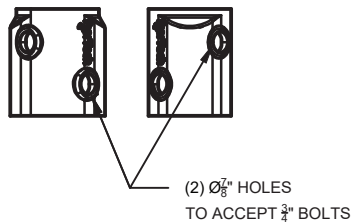
BRACKETS

3.5-BNC66G or 3.5-BNC66B

3-1/2" 6X6 NEW CONSTRUCTION BRACKET



PIERTECH PATENTED CROSSLOCK BRACKET COUPLING



PRODUCT SPECIFICATIONS

Shaft Properties

Nominal Shaft OD	3.50"
Nominal Wall Thickness	0.300"
Design Wall Thickness	0.279"
Corroded Wall Thickness*	0.243"
Design Area Moment of Inertia	3.69 in. ⁴
Corroded Area Moment of Inertia*	3.21 in. ⁴
Design Section Modulus	2.11 in. ³
Corroded Section Modulus*	1.85 in. ³
Shaft Min. Yield Strength	55 ksi

Bracket Properties

Plate Min. Yield Strength	50 ksi
Plate Min. Yield Strength	60 ksi
Available Plate Thickness	1/2", 3/4", 1"

Connection Details

Coupling	Piertech Patented Cross-lock
Hardware	(2) 3/4"Ø Grade 5 Min.

Coating Options

Bare Steel
Hot-Dipped Galvanized per ASTM A123/153.

*Based on 50 years per AC358

PILE CAPACITY

Structural Capacity	80 kips(allowable), 160 kips(ultimate)
Torque Rating	13,500 ft-lbs
k_t Factor	7 ft ⁻¹

Bracket Capacity

Compression	43.5 kips (allowable), 87 kips (ultimate)
Tension	43.5 kips (allowable), 87 kips (ultimate)

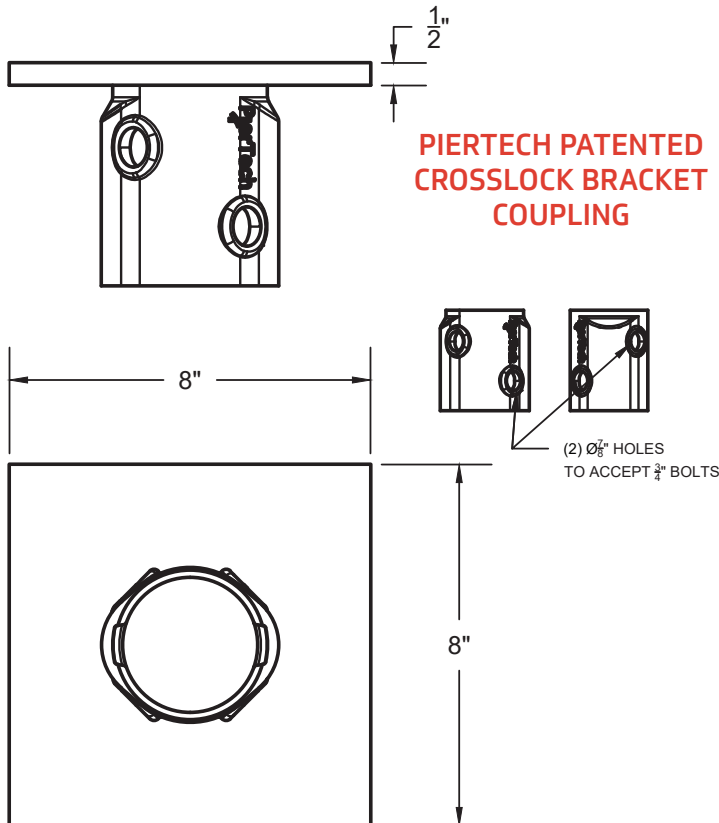
Geotechnical Capacity

Compression	47.25 kips (allowable), 94.5 kips (ultimate)
Tension	40 kips (allowable), 80 kips (ultimate)

BRACKETS

3-1/2" 8X8 NEW CONSTRUCTION BRACKET

3.5-BNC88G or 3.5-BNC88B



PILE CAPACITY

Structural Capacity	80 kips(allowable), 160 kips(ultimate)
Torque Rating	13,500 ft-lbs
k_t Factor	7 ft ⁻¹

Bracket Capacity

Compression	43.5 kips (allowable), 87 kips (ultimate)
Tension	43.5 kips (allowable), 87 kips (ultimate)

Geotechnical Capacity

Compression	47.25 kips (allowable), 94.5 kips (ultimate)
Tension	40 kips (allowable), 80 kips (ultimate)

PRODUCT SPECIFICATIONS

Shaft Properties

Nominal Shaft OD	3.50"
Nominal Wall Thickness	0.300"
Design Wall Thickness	0.279"
Corroded Wall Thickness*	0.243"
Design Area Moment of Inertia	3.69 in. ⁴
Corroded Area Moment of Inertia*	3.21 in. ⁴
Design Section Modulus	2.11 in. ³
Corroded Section Modulus*	1.85 in. ³
Shaft Min. Yield Strength	55 ksi

Bracket Properties

Plate Min. Yield Strength	55 ksi
Plate Min. Yield Strength	50 ksi
Available Plate Thickness	1/2", 3/4", 1"

Connection Details

Coupling	Piertech Patented Cross-lock
Hardware	(2) 3/4"Ø Grade 5 Min.

Coating Options

Bare Steel
Hot-Dipped Galvanized per ASTM A123/153.

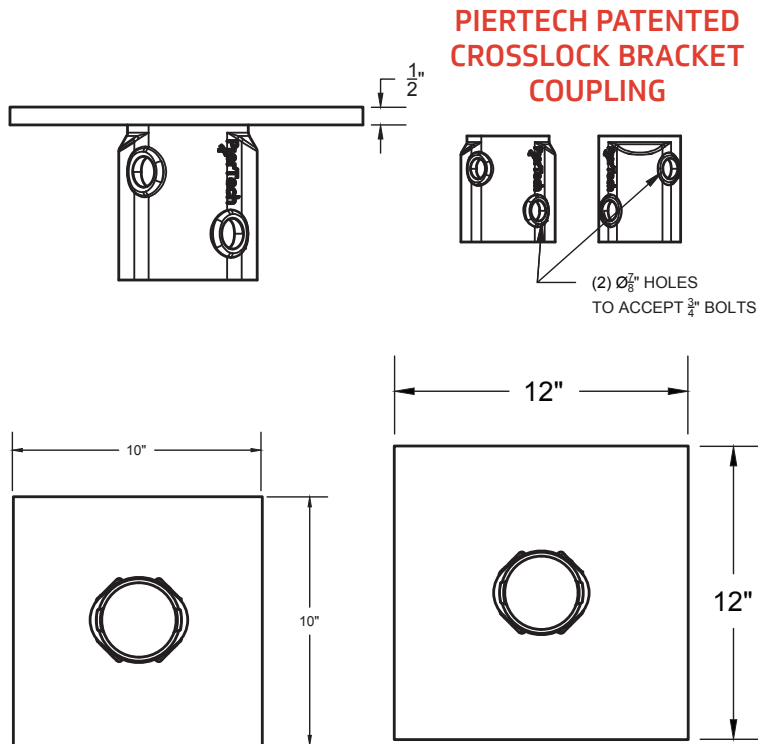
*Based on 50 years per AC308

BRACKETS

3.5-BNC1010G or
3.5-BNC1010B

3.5-BNC1212G or
3.5-BNC1212B

3-1/2" 10X10 NEW CONSTRUCTION BRACKET 3-1/2" 12X12 NEW CONSTRUCTION BRACKET



PRODUCT SPECIFICATIONS

Shaft Properties

Nominal Shaft OD	3.50"
Nominal Wall Thickness	0.300"
Design Wall Thickness	0.279"
Corroded Wall Thickness*	0.243"
Design Area Moment of Inertia	3.69 in. ⁴
Corroded Area Moment of Inertia*	3.21 in. ⁴
Design Section Modulus	2.11 in. ³
Corroded Section Modulus*	1.85 in. ³
Shaft Min. Yield Strength	55 ksi

Bracket Properties

Plate Min. Yield Strength	55 ksi
Plate Min. Yield Strength	50 ksi
Available Plate Thickness	1/2", 3/4", 1"

Connection Details

Coupling	Pierotech Patented Cross-lock
Hardware	(2) 3/4"Ø Grade 5 Min.

Coating Options

Bare Steel
Hot-Dipped Galvanized per ASTM A123/153.

*Based on 50 years per AC308

Additional brackets available upon request

PILE CAPACITY

Structural Capacity	80 kips(allowable), 160 kips(ultimate)
Torque Rating	13,500 ft-lbs
k _t Factor	7 ft ⁻¹

Bracket Capacity

Compression	43.5 kips (allowable), 87 kips (ultimate)
Tension	43.5 kips (allowable), 87 kips (ultimate)

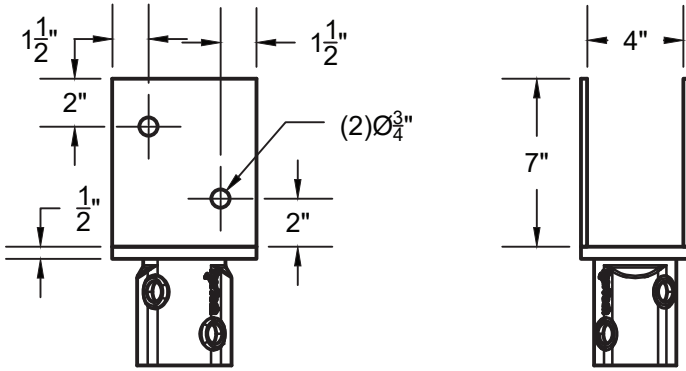
Geotechnical Capacity

Compression	47.25 kips (allowable), 94.5 kips (ultimate)
Tension	40 kips (allowable), 80 kips (ultimate)

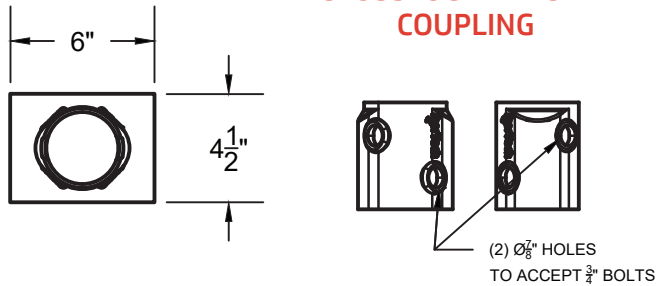
BRACKETS

3-1/2" 4X6 CROSS LOCK SADDLE BRACKET

3.5-BS46CLG or
3.5-BS46CLB



PIERTECH PATENTED CROSSLCK BRACKET COUPLING



PILE CAPACITY

Structural Capacity	80 kips(allowable), 160 kips(ultimate)
Torque Rating	13,500 ft-lbs
k_t Factor	7 ft ⁻¹

Bracket Capacity

Compression	20 kips (allowable), 40 kips (ultimate)
Tension	20 kips (allowable), 40 kips (ultimate)

Geotechnical Capacity

Compression	47.25 kips (allowable), 94.5 kips (ultimate)
Tension	40 kips (allowable), 80 kips (ultimate)

PRODUCT SPECIFICATIONS

Shaft Properties

Nominal Shaft OD	2.875"
Nominal Wall Thickness	0.217"
Design Wall Thickness	0.202"
Corroded Wall Thickness*	0.166"
Design Area Moment of Inertia	1.52 in. ⁴
Corroded Area Moment of Inertia*	1.25 in. ⁴
Design Section Modulus	1.06 in. ³
Corroded Section Modulus*	0.88 in. ³
Shaft Min. Yield Strength	60 ksi

Bracket Properties

Plate Min. Yield Strength	A36
---------------------------	-----

Connection Details

Coupling	Piertech Patented Cross-lock
Hardware	(2) 3/4"Ø Grade 5 Min.

Coating Options

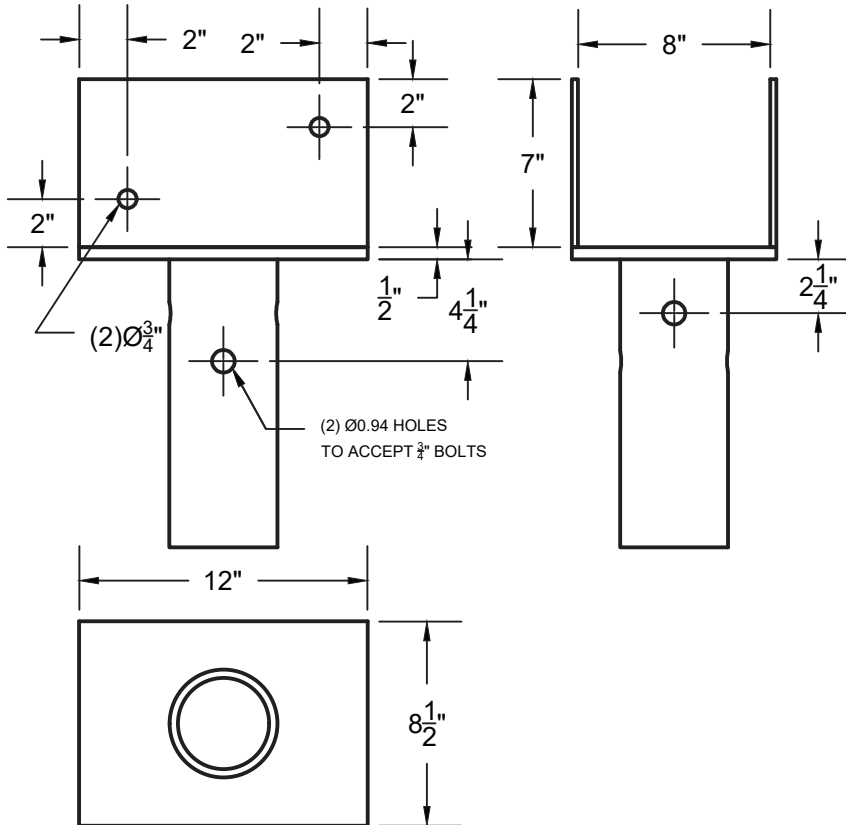
Bare Steel
Hot-Dipped Galvanized per ASTM A123/153.

*Based on 50 years per AC308

BRACKETS

3-1/2" 8X8 SADDLE BRACKET

3.5-BS88G or
3.5-BS88B



PRODUCT SPECIFICATIONS

Shaft Properties

Nominal Shaft OD	3.50"
Nominal Wall Thickness	0.300"
Design Wall Thickness	0.279"
Corroded Wall Thickness*	0.243"
Design Area Moment of Inertia	3.69 in. ⁴
Corroded Area Moment of Inertia*	3.21 in. ⁴
Design Section Modulus	2.11 in. ³
Corroded Section Modulus*	1.85 in. ³
Shaft Min. Yield Strength	55 ksi

PILE CAPACITY

Structural Capacity	80 kips(allowable), 160 kips(ultimate)
Torque Rating	13,500 ft-lbs
k_t Factor	7 ft ⁻¹

Bracket Capacity

Compression	43.5 kips (allowable), 87 kips (ultimate)
Tension	43.5 kips (allowable), 87 kips (ultimate)

Geotechnical Capacity

Compression	47.25 kips (allowable), 94.5 kips (ultimate)
Tension	40 kips (allowable), 80 kips (ultimate)

Bracket Properties

Plate Min. Yield Strength	A36
---------------------------	-----

Connection Details

Coupling	4 1/2 x .337" W Sleeve
Hardware	(2) 3/4"Ø Grade 5 Min.

Coating Options

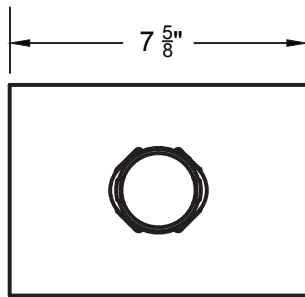
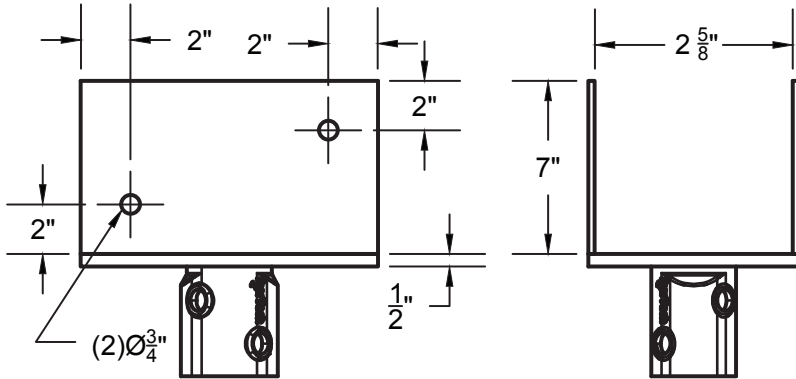
Bare Steel
Hot-Dipped Galvanized per ASTM A123/153.

*Based on 50 years per AC358

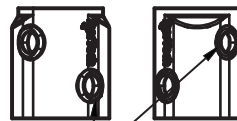
BRACKETS

3-1/2" 8X8 CROSS LOCK SADDLE BRACKET

3.5-BS88CLG or
3.5-BS88CLB



PIERTECH PATENTED CROSSLCK BRACKET COUPLING



(2) $\frac{7}{8}$ " HOLES
TO ACCEPT $\frac{3}{4}$ " BOLTS

PRODUCT SPECIFICATIONS

Shaft Properties

Nominal Shaft OD	3.50"
Nominal Wall Thickness	0.300"
Design Wall Thickness	0.279"
Corroded Wall Thickness*	0.243"
Design Area Moment of Inertia	3.69 in. ⁴
Corroded Area Moment of Inertia*	3.21 in. ⁴
Design Section Modulus	2.11 in. ³
Corroded Section Modulus*	1.85 in. ³
Shaft Min. Yield Strength	55 ksi

PILE CAPACITY

Structural Capacity	80 kips(allowable), 160 kips(ultimate)
Torque Rating	13,500 ft-lbs
k_t Factor	7 ft ⁻¹

Bracket Capacity

Compression	20 kips (allowable), 40 kips (ultimate)
Tension	20 kips (allowable), 40 kips (ultimate)

Geotechnical Capacity

Compression	47.25 kips (allowable), 94.5 kips (ultimate)
Tension	40 kips (allowable), 80 kips (ultimate)

Bracket Properties

Plate Min. Yield Strength	A36
---------------------------	-----

Connection Details

Coupling	Piertech Patented Cross-lock
Hardware	(2) $\frac{3}{4}$ " \emptyset Grade 5 Min.

Coating Options

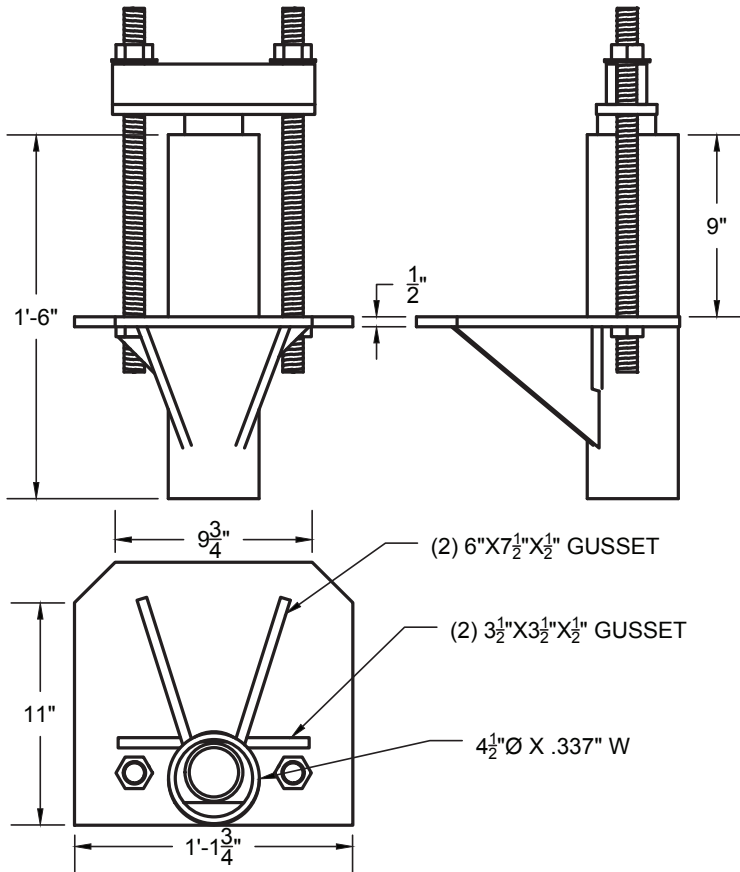
Bare Steel
Hot-Dipped Galvanized per ASTM A123/153.

*Based on 50 years per AC358

BRACKETS

3-1/2" TRU-LIFT BRACKET

3.5-BTLG or 3.5-BTLB



PRODUCT SPECIFICATIONS

Shaft Properties

Nominal Shaft OD	3.50"
Nominal Wall Thickness	0.300"
Design Wall Thickness	0.279"
Corroded Wall Thickness*	0.243"
Design Area Moment of Inertia	3.69 in. ⁴
Corroded Area Moment of Inertia*	3.21 in. ⁴
Design Section Modulus	2.11 in. ³
Corroded Section Modulus*	1.85 in. ³
Shaft Min. Yield Strength	55 ksi

Bracket Properties

Plate Min. Yield Strength	55 ksi
Plate Min. Yield Strength	50 ksi

Connection Details

Coupling	Piertech Patented Cross-lock
Hardware	(2) 3/4"Ø Grade 5 Min.

Coating Options

Bare Steel
Hot-Dipped Galvanized per ASTM A123/153.

*Based on 50 years per AC358

PILE CAPACITY

Structural Capacity	80 kips(allowable), 160 kips(ultimate)
Torque Rating	13,500 ft-lbs
k_t Factor	7 ft ⁻¹

Bracket Capacity

Compression	36 kips (allowable), 72 kips (ultimate)
Tension	N/A

Geotechnical Capacity

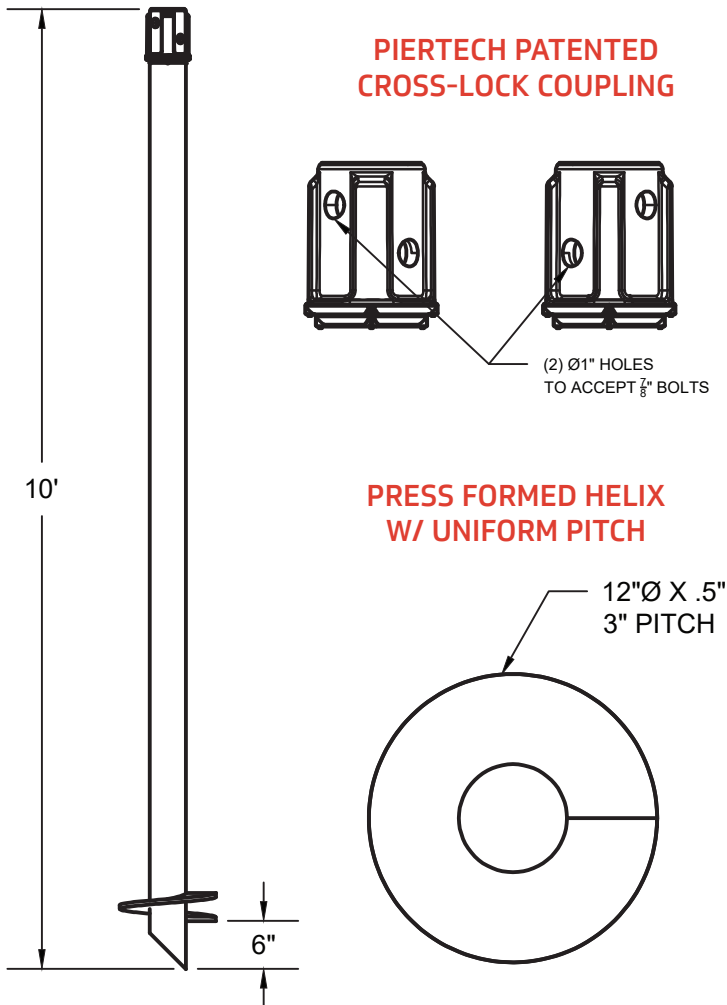
Compression	47.25 kips (allowable), 94.5 kips (ultimate)
Tension	40 kips (allowable), 80 kips (ultimate)

TECHNICAL 4-1/2 DIAMETER

SINGLE HELIX LEADS

4-1/2" 10FT. 12" HELIX LEAD

4.5-L1012G or 4.5-L1012B



Other grades and wall thicknesses available upon request

PILE CAPACITY

Structural Capacity	120 kips(allowable), 240 kips(ultimate)
Torque Rating	28,000 ft-lbs
k_t Factor	5.7 ft ⁻¹

Geotechnical Capacity

Compression	80 kips (allowable), 160 kips (ultimate)
Tension	68 kips (allowable), 136 kips (ultimate)

PRODUCT SPECIFICATIONS

Shaft Properties

Nominal Shaft OD	4.50"
Nominal Wall Thickness	0.337"
Design Wall Thickness	0.313"
Corroded Wall Thickness*	0.277"
Design Area Moment of Inertia	9.08 in. ⁴
Corroded Area Moment of Inertia*	8.03 in. ⁴
Design Section Modulus	4.04 in. ³
Corroded Section Modulus*	3.60 in. ³
Shaft Min. Yield Strength	55 ksi

Helix Properties

Standard Plate Thickness	0.500"
Available Plate Thicknesses	0.375" 0.625" 0.75"
Plate Min. Yield Strength	50 ksi
Standard Helix Pitch	6"
Available Helix Pitch	3"
Cutting Profile Options	Standard V-Cut Seashell Cut

Connection Details

Coupling	Piertech Patented Cross-lock
Hardware	(2) 3/4"Ø A325

Coating Options

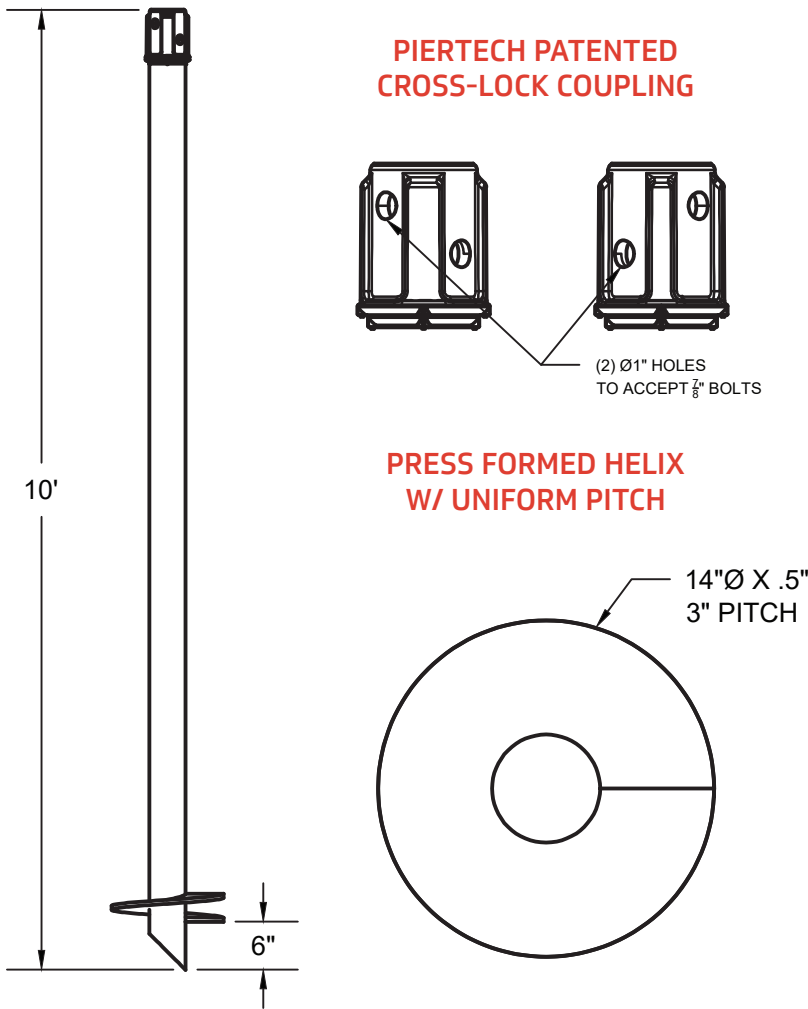
Bare Steel
Hot-Dipped Galvanized per ASTM A123/153.

*Based on 50 years per AC308

SINGLE HELIX LEADS

4.5-L1014G or 4.5-L1014B

4-1/2" 10FT. 14" HELIX LEAD



Other grades and wall thicknesses available upon request

PILE CAPACITY

Structural Capacity	120 kips(allowable), 280 kips(ultimate)
Torque Rating	28,000 ft-lbs
k_t Factor	5.7 ft ⁻¹

Geotechnical Capacity

Compression	80 kips (allowable), 160 kips (ultimate)
Tension	68 kips (allowable), 136 kips (ultimate)

PRODUCT SPECIFICATIONS

Shaft Properties

Nominal Shaft OD	4.50"
Nominal Wall Thickness	0.337"
Design Wall Thickness	0.313"
Corroded Wall Thickness*	0.277"
Design Area Moment of Inertia	9.08 in. ⁴
Corroded Area Moment of Inertia*	8.03 in. ⁴
Design Section Modulus	4.04 in. ³
Corroded Section Modulus*	3.60 in. ³
Shaft Min. Yield Strength	55 ksi

Helix Properties

Standard Plate Thickness	0.500"
Available Plate Thicknesses	0.375" 0.625" 0.75"
Plate Min. Yield Strength	50 ksi
Standard Helix Pitch	6"
Available Helix Pitch	3"
Cutting Profile Options	Standard V-Cut Seashell Cut

Connection Details

Coupling	Piertech Patented Cross-lock
Hardware	(2) 3/4"Ø A325

Coating Options

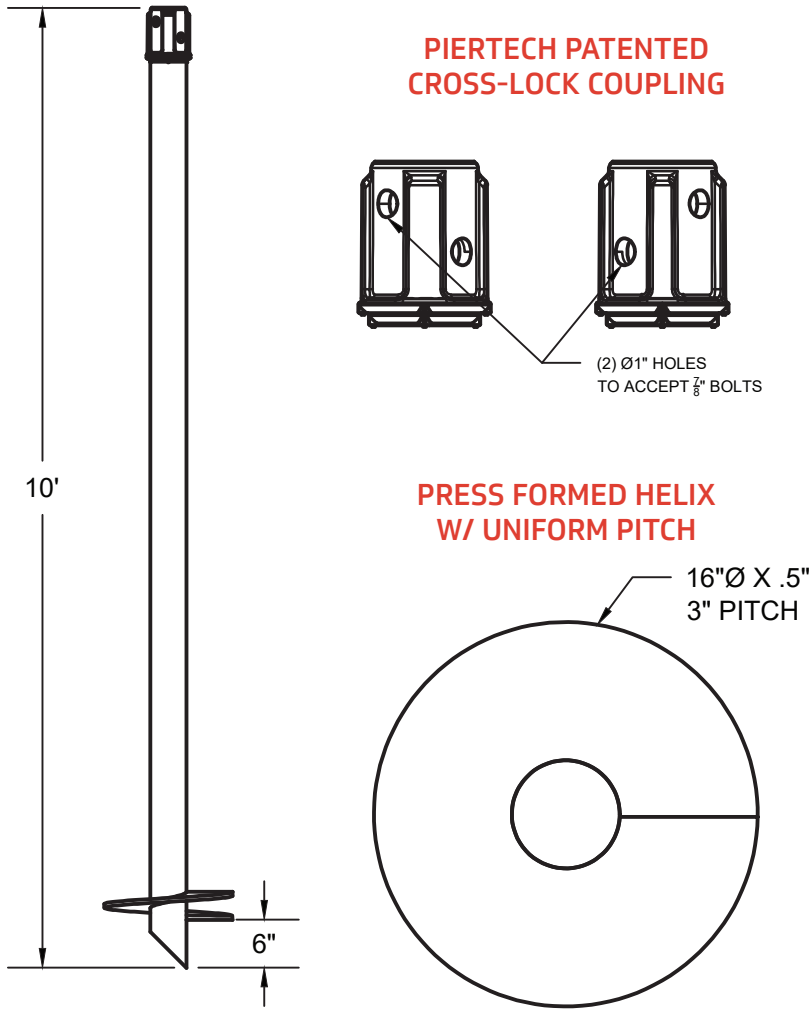
Bare Steel
Hot-Dipped Galvanized per ASTM A123/153.

*Based on 50 years per AC358

SINGLE HELIX LEADS

4-1/2" 10FT. 16" HELIX LEAD

4.5-L1016G or 4.5-L1016B



Other grades and wall thicknesses available upon request

PILE CAPACITY

Structural Capacity	120 kips(allowable), 240 kips(ultimate)
Torque Rating	28,000 ft-lbs
k_t Factor	5.7 ft ⁻¹

Geotechnical Capacity

Compression	80 kips (allowable), 160 kips (ultimate)
Tension	68 kips (allowable), 136 kips (ultimate)

PRODUCT SPECIFICATIONS

Shaft Properties

Nominal Shaft OD	4.50"
Nominal Wall Thickness	0.337"
Design Wall Thickness	0.313"
Corroded Wall Thickness*	0.277"
Design Area Moment of Inertia	9.08 in. ⁴
Corroded Area Moment of Inertia*	8.03 in. ⁴
Design Section Modulus	4.04 in. ³
Corroded Section Modulus*	3.60 in. ³
Shaft Min. Yield Strength	55 ksi

Helix Properties

Standard Plate Thickness	0.500"
Available Plate Thicknesses	0.375" 0.625" 0.75"
Plate Min. Yield Strength	50 ksi
Standard Helix Pitch	6"
Available Helix Pitch	3"
Cutting Profile Options	Standard V-Cut Seashell Cut

Connection Details

Coupling	Piertech Patented Cross-lock
Hardware	(2) 3/4"Ø A325

Coating Options

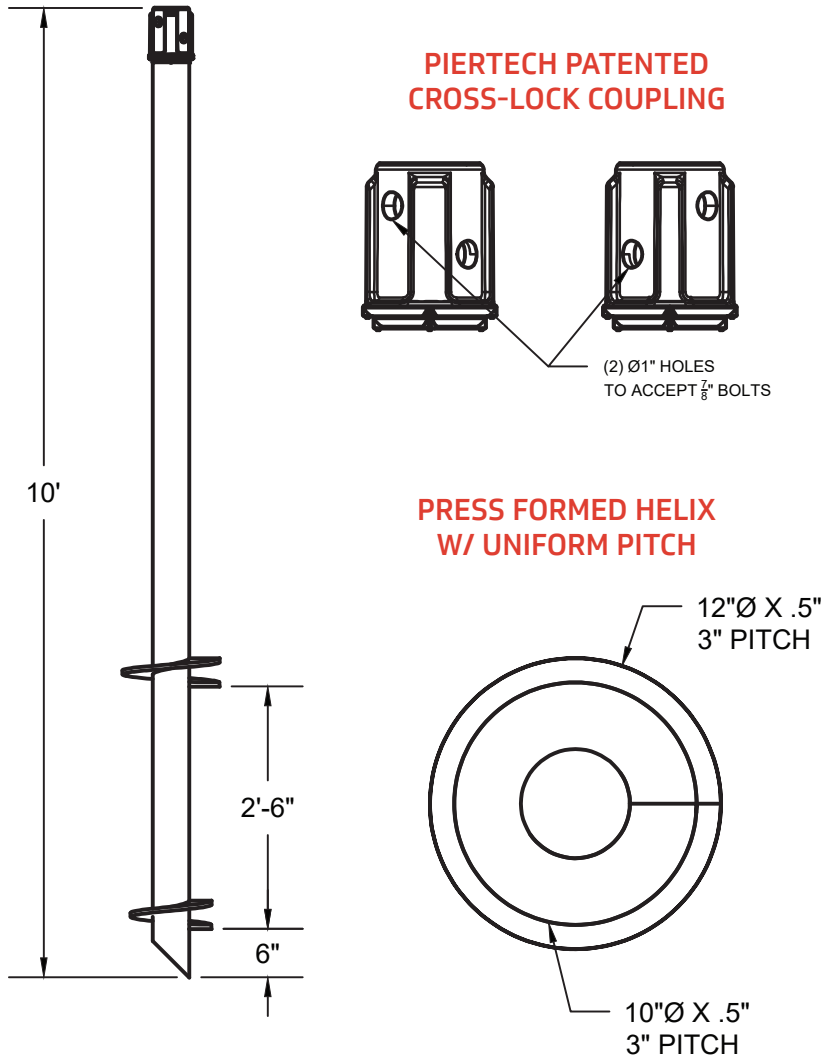
Bare Steel
Hot-Dipped Galvanized per ASTM A123/153.

*Based on 50 years per AC308

DOUBLE HELIX LEADS

4.5-L101012G or 4.5-L101012B

4-1/2" 10FT. 10"-12" HELIX LEAD



Other grades and wall thicknesses available upon request

PILE CAPACITY

Structural Capacity	120 kips(allowable), 240 kips(ultimate)
Torque Rating	28,000 ft-lbs
k_t Factor	5.7 ft ⁻¹

Geotechnical Capacity

Compression	80 kips (allowable), 160 kips (ultimate)
Tension	68 kips (allowable), 136 kips (ultimate)

PRODUCT SPECIFICATIONS

Shaft Properties

Nominal Shaft OD	4.50"
Nominal Wall Thickness	0.337"
Design Wall Thickness	0.313"
Corroded Wall Thickness*	0.277"
Design Area Moment of Inertia	9.08 in. ⁴
Corroded Area Moment of Inertia*	8.03 in. ⁴
Design Section Modulus	4.04 in. ³
Corroded Section Modulus*	3.60 in. ³
Shaft Min. Yield Strength	55 ksi

Helix Properties

Standard Plate Thickness	0.500"
Available Plate Thicknesses	0.375" 0.625" 0.75"
Plate Min. Yield Strength	50 ksi
Standard Helix Pitch	6"
Available Helix Pitch	3"
Cutting Profile Options	Standard V-Cut Seashell Cut

Connection Details

Coupling	Piertech Patented Cross-lock
Hardware	(2) 3/4"Ø A325

Coating Options

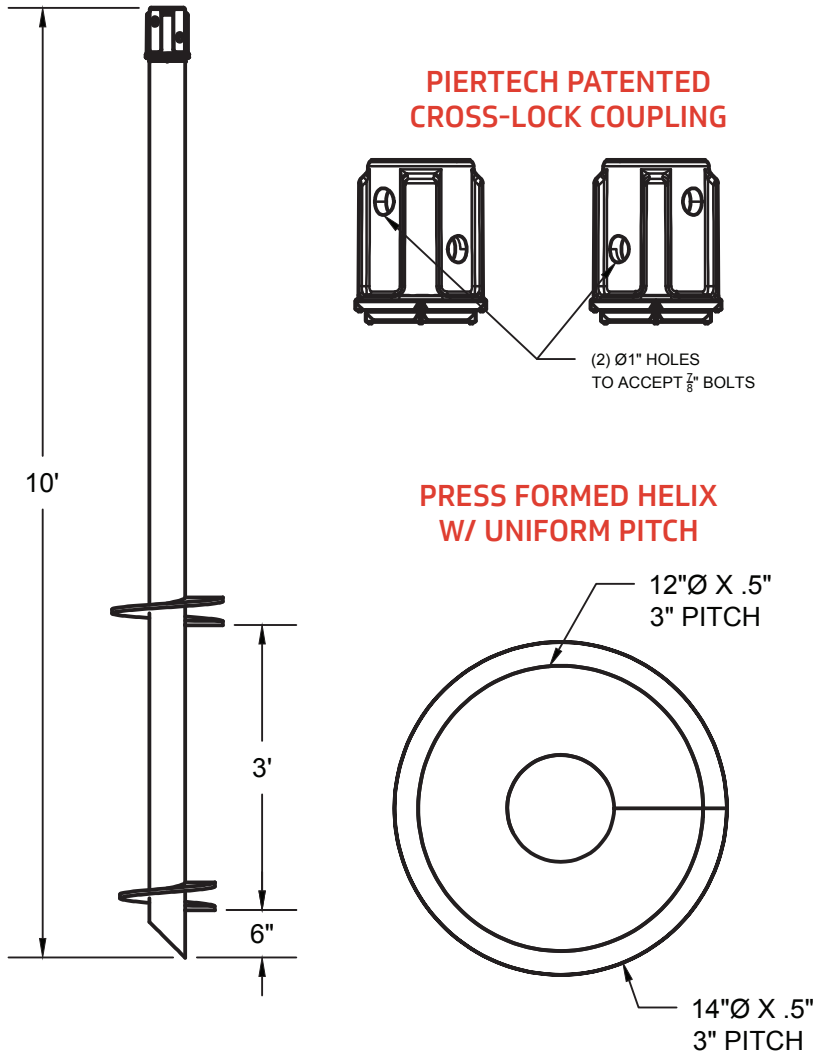
Bare Steel
Hot-Dipped Galvanized per ASTM A123/153.

*Based on 50 years per AC308

DOUBLE HELIX LEADS

4-1/2" 10FT. 12"-14" HELIX LEAD

4.5-L101214G or 4.5-L101214B



Other grades and wall thicknesses available upon request

PILE CAPACITY

Structural Capacity	120 kips(allowable), 240 kips(ultimate)
Torque Rating	28,000 ft-lbs
k_t Factor	5.7 ft ⁻¹

Geotechnical Capacity

Compression	80 kips (allowable), 160 kips (ultimate)
Tension	68 kips (allowable), 136 kips (ultimate)

PRODUCT SPECIFICATIONS

Shaft Properties

Nominal Shaft OD	4.50"
Nominal Wall Thickness	0.337"
Design Wall Thickness	0.313"
Corroded Wall Thickness*	0.277"
Design Area Moment of Inertia	9.08 in. ⁴
Corroded Area Moment of Inertia*	8.03 in. ⁴
Design Section Modulus	4.04 in. ³
Corroded Section Modulus*	3.60 in. ³
Shaft Min. Yield Strength	55 ksi

Helix Properties

Standard Plate Thickness	0.500"
Available Plate Thicknesses	0.375" 0.625" 0.75"
Plate Min. Yield Strength	50 ksi
Standard Helix Pitch	6"
Available Helix Pitch	3"
Cutting Profile Options	Standard V-Cut Seashell Cut

Connection Details

Coupling	Piertech Patented Cross-lock
Hardware	(2) 3/4"Ø A325

Coating Options

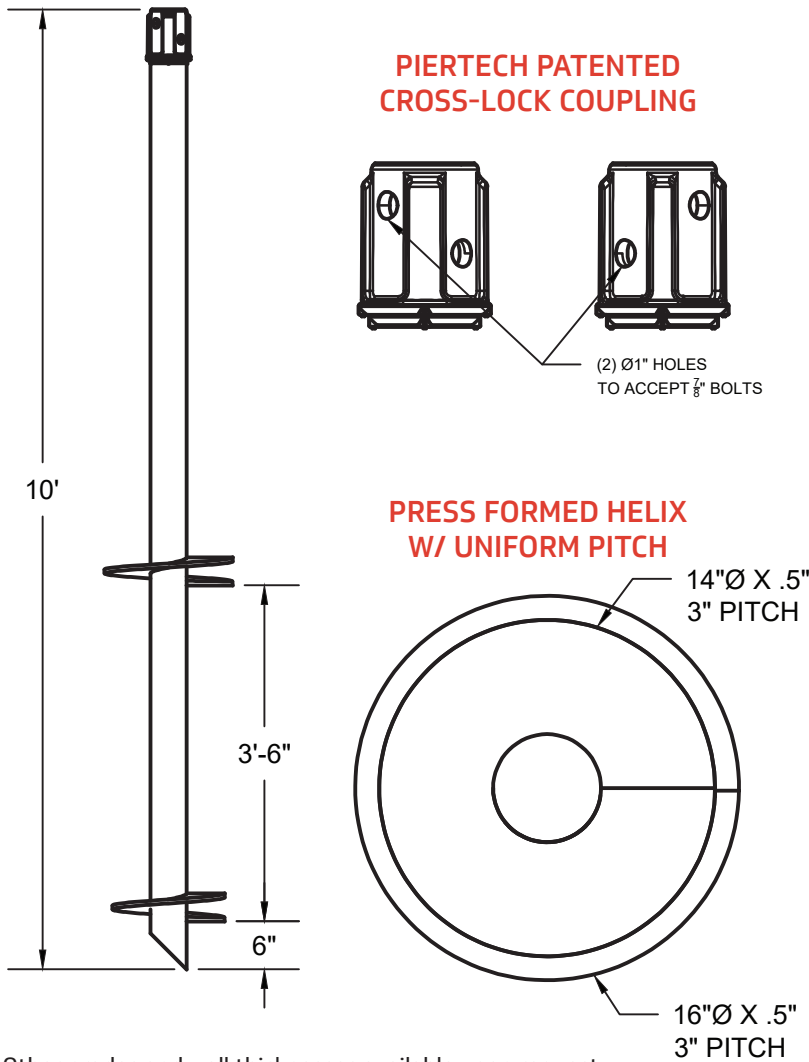
Bare Steel
Hot-Dipped Galvanized per ASTM A123/153.

*Based on 50 years per AC358

DOUBLE HELIX LEADS

4.5-L101416G or 4.5-L101416B

4-1/2" 10FT. 14"-16" HELIX LEAD



Other grades and wall thicknesses available upon request

PILE CAPACITY

Structural Capacity	120 kips(allowable), 240 kips(ultimate)
Torque Rating	28,000 ft-lbs
k_t Factor	5.7 ft ⁻¹

Geotechnical Capacity

Compression	80 kips (allowable), 160 kips (ultimate)
Tension	68 kips (allowable), 136 kips (ultimate)

PRODUCT SPECIFICATIONS

Shaft Properties

Nominal Shaft OD	4.50"
Nominal Wall Thickness	0.337"
Design Wall Thickness	0.313"
Corroded Wall Thickness*	0.277"
Design Area Moment of Inertia	9.08 in. ⁴
Corroded Area Moment of Inertia*	8.03 in. ⁴
Design Section Modulus	4.04 in. ³
Corroded Section Modulus*	3.60 in. ³
Shaft Min. Yield Strength	55 ksi

Helix Properties

Standard Plate Thickness	0.500"
Available Plate Thicknesses	0.375" 0.625" 0.75"
Plate Min. Yield Strength	50 ksi
Standard Helix Pitch	6"
Available Helix Pitch	3"
Cutting Profile Options	Standard V-Cut Seashell Cut

Connection Details

Coupling	Piertech Patented Cross-lock
Hardware	(2) 3/4"Ø A325

Coating Options

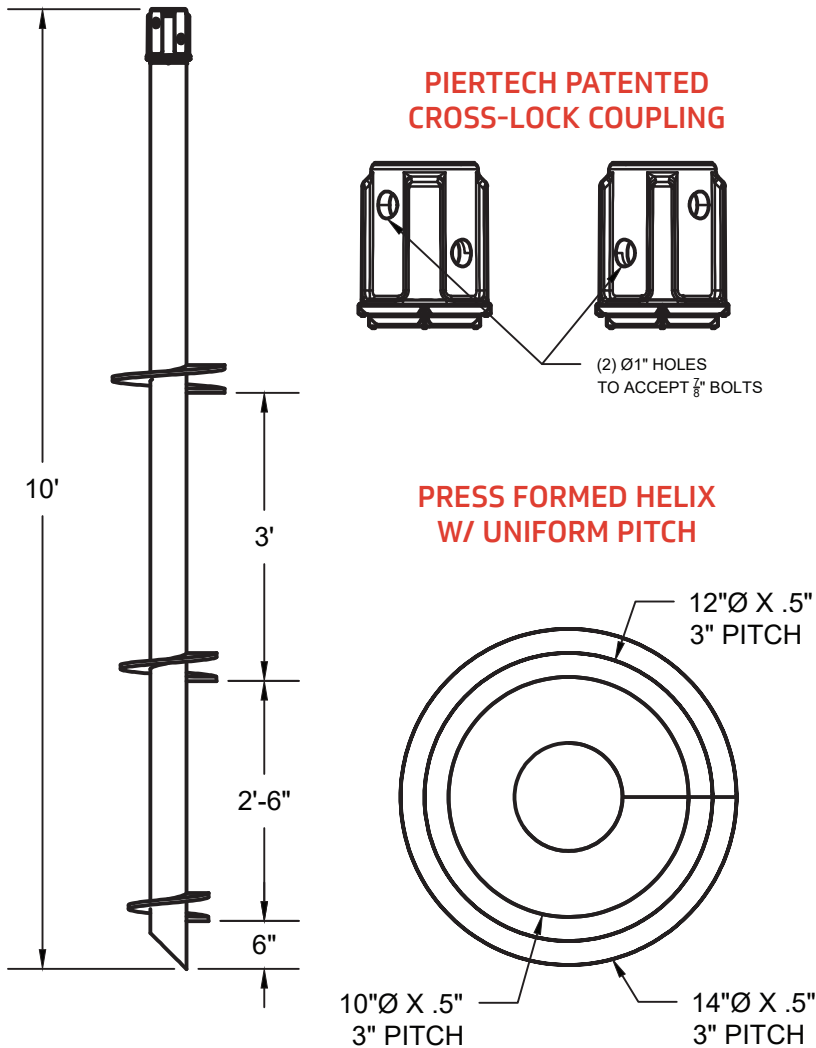
Bare Steel
Hot-Dipped Galvanized per ASTM A123/153.

*Based on 50 years per AC358

TRIPLE HELIX LEADS

4-1/2" 10FT. 10"-12"-14" HELIX LEAD

4.5-L10101214G or 4.5-L10101214B



Other grades and wall thicknesses available upon request

PILE CAPACITY

Structural Capacity	120 kips(allowable), 240 kips(ultimate)
Torque Rating	28,000 ft-lbs
k_t Factor	5.7 ft ⁻¹

Geotechnical Capacity

Compression	80 kips (allowable), 160 kips (ultimate)
Tension	68 kips (allowable), 136 kips (ultimate)

PRODUCT SPECIFICATIONS

Shaft Properties

Nominal Shaft OD	4.50"
Nominal Wall Thickness	0.337"
Design Wall Thickness	0.313"
Corroded Wall Thickness*	0.277"
Design Area Moment of Inertia	9.08 in. ⁴
Corroded Area Moment of Inertia*	8.03 in. ⁴
Design Section Modulus	4.04 in. ³
Corroded Section Modulus*	3.60 in. ³
Shaft Min. Yield Strength	55 ksi

Helix Properties

Standard Plate Thickness	0.500"
Available Plate Thicknesses	0.375" 0.625" 0.75"
Plate Min. Yield Strength	50 ksi
Standard Helix Pitch	6"
Available Helix Pitch	3"
Cutting Profile Options	Standard V-Cut Seashell Cut

Connection Details

Coupling	Piertech Patented Cross-lock
Hardware	(2) 3/4"Ø A325

Coating Options

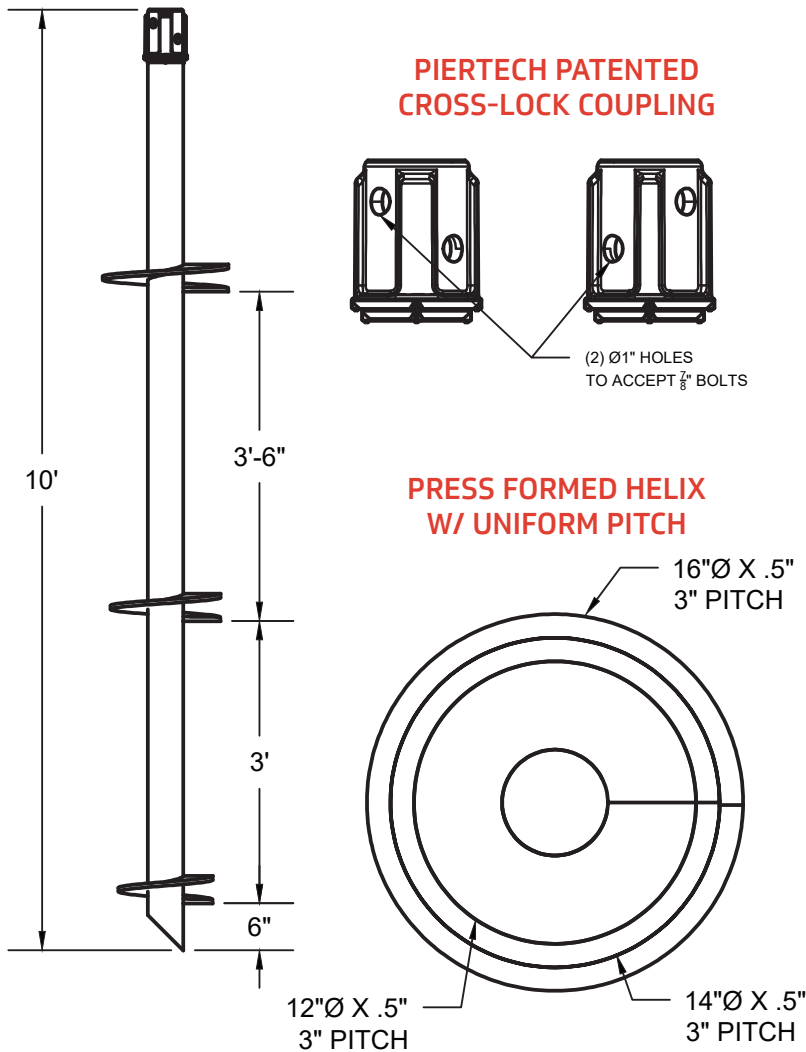
Bare Steel
Hot-Dipped Galvanized per ASTM A123/153.

*Based on 50 years per AC358

TRIPLE HELIX LEADS

4.5-L10121416G or 4.5-L10121416B

4-1/2" 10FT. 12"-14"-16" HELIX LEAD



Other grades and wall thicknesses available upon request

PILE CAPACITY

Structural Capacity	120 kips(allowable), 240 kips(ultimate)
Torque Rating	28,000 ft-lbs
k_t Factor	5.7 ft ⁻¹

Geotechnical Capacity

Compression	80 kips (allowable), 160 kips (ultimate)
Tension	68 kips (allowable), 136 kips (ultimate)

PRODUCT SPECIFICATIONS

Shaft Properties

Nominal Shaft OD	4.50"
Nominal Wall Thickness	0.337"
Design Wall Thickness	0.313"
Corroded Wall Thickness*	0.277"
Design Area Moment of Inertia	9.08 in. ⁴
Corroded Area Moment of Inertia*	8.03 in. ⁴
Design Section Modulus	4.04 in. ³
Corroded Section Modulus*	3.60 in. ³
Shaft Min. Yield Strength	55 ksi

Helix Properties

Standard Plate Thickness	0.500"
Available Plate Thicknesses	0.375" 0.625" 0.75"
Plate Min. Yield Strength	50 ksi
Standard Helix Pitch	6"
Available Helix Pitch	3"
Cutting Profile Options	Standard V-Cut Seashell Cut

Connection Details

Coupling	Piertech Patented Cross-lock
Hardware	(2) 3/4"Ø A325

Coating Options

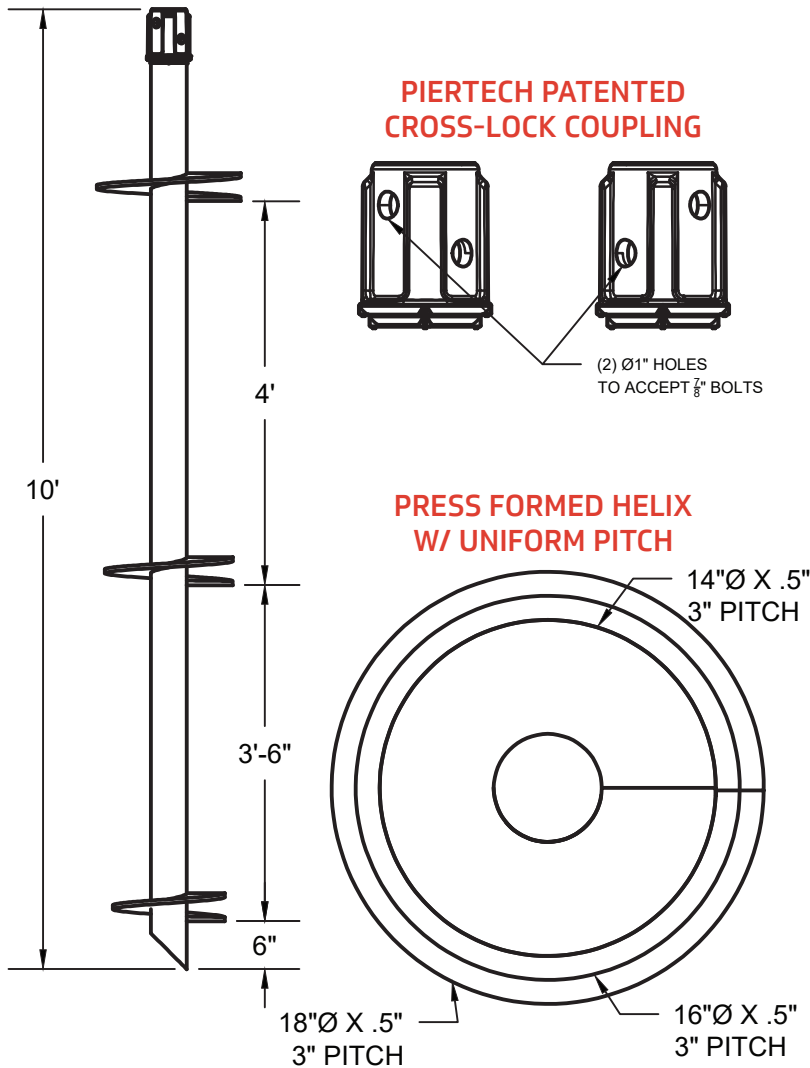
Bare Steel
Hot-Dipped Galvanized per ASTM A123/153.

*Based on 50 years per AC358

TRIPLE HELIX LEADS

4-1/2" 10FT. 14"-16"-18" HELIX LEAD

4.5-L10141618G or 4.5-L10141618B



Other grades and wall thicknesses available upon request

PILE CAPACITY

Structural Capacity	120 kips(allowable), 240 kips(ultimate)
Torque Rating	28,000 ft-lbs
k_t Factor	5.7 ft ⁻¹

Geotechnical Capacity

Compression	80 kips (allowable), 160 kips (ultimate)
Tension	68 kips (allowable), 136 kips (ultimate)

PRODUCT SPECIFICATIONS

Shaft Properties

Nominal Shaft OD	4.50"
Nominal Wall Thickness	0.337"
Design Wall Thickness	0.313"
Corroded Wall Thickness*	0.277"
Design Area Moment of Inertia	9.08 in. ⁴
Corroded Area Moment of Inertia*	8.03 in. ⁴
Design Section Modulus	4.04 in. ³
Corroded Section Modulus*	3.60 in. ³
Shaft Min. Yield Strength	55 ksi

Helix Properties

Standard Plate Thickness	0.500"
Available Plate Thicknesses	0.375" 0.625" 0.75"
Plate Min. Yield Strength	50 ksi
Standard Helix Pitch	6"
Available Helix Pitch	3"
Cutting Profile Options	Standard V-Cut Seashell Cut

Connection Details

Coupling	Piertech Patented Cross-lock
Hardware	(2) 3/4"Ø A325

Coating Options

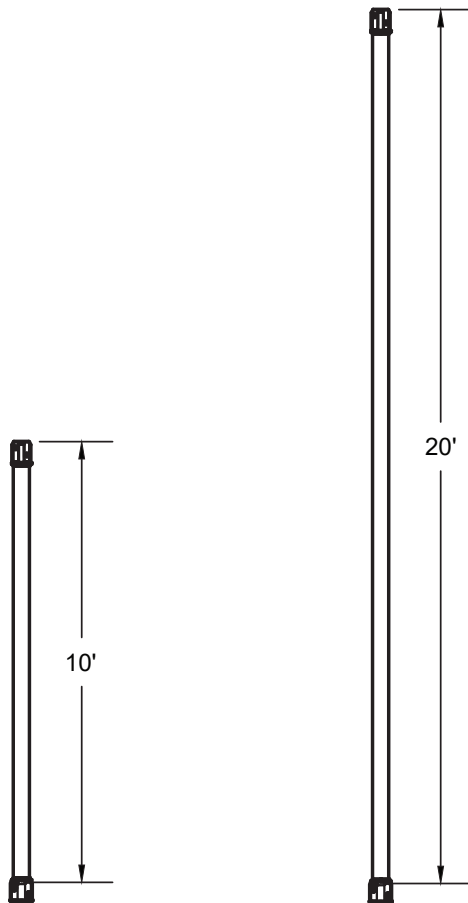
Bare Steel
Hot-Dipped Galvanized per ASTM A123/153.

*Based on 50 years per AC358

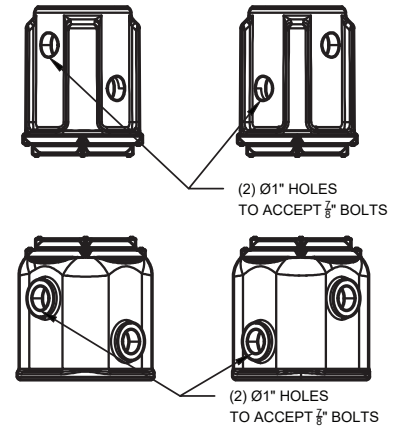
EXTENSIONS

4-1/2" 10FT, 12FT EXTENSION

4.5-E10G or 4.5-E10B,
4.5-E20G or 4.5-E20B



PIERTECH PATENTED CROSS-LOCK COUPLING



PRODUCT SPECIFICATIONS

Shaft Properties

Nominal Shaft OD	4.50"
Nominal Wall Thickness	0.337"
Design Wall Thickness	0.313"
Corroded Wall Thickness*	0.277"
Design Area Moment of Inertia	9.08 in. ⁴
Corroded Area Moment of Inertia*	8.03 in. ⁴
Design Section Modulus	4.04 in. ³
Corroded Section Modulus*	3.60 in. ³
Shaft Min. Yield Strength	55 ksi

Connection Details

Coupling	Pierotech Patented Cross-lock
Hardware	(2) 7/8"Ø A325

Coating Options

Bare Steel
Hot-Dipped Galvanized per ASTM A123/153.

*Based on 50 years per AC358

Other grades and wall thicknesses available upon request

PILE CAPACITY

Structural Capacity	120 kips(allowable), 240 kips(ultimate)
Torque Rating	28,000 ft-lbs
k_t Factor	5.7 ft ⁻¹

Geotechnical Capacity

Compression	80 kips (allowable), 160 kips (ultimate)
Tension	68 kips (allowable), 136 kips (ultimate)

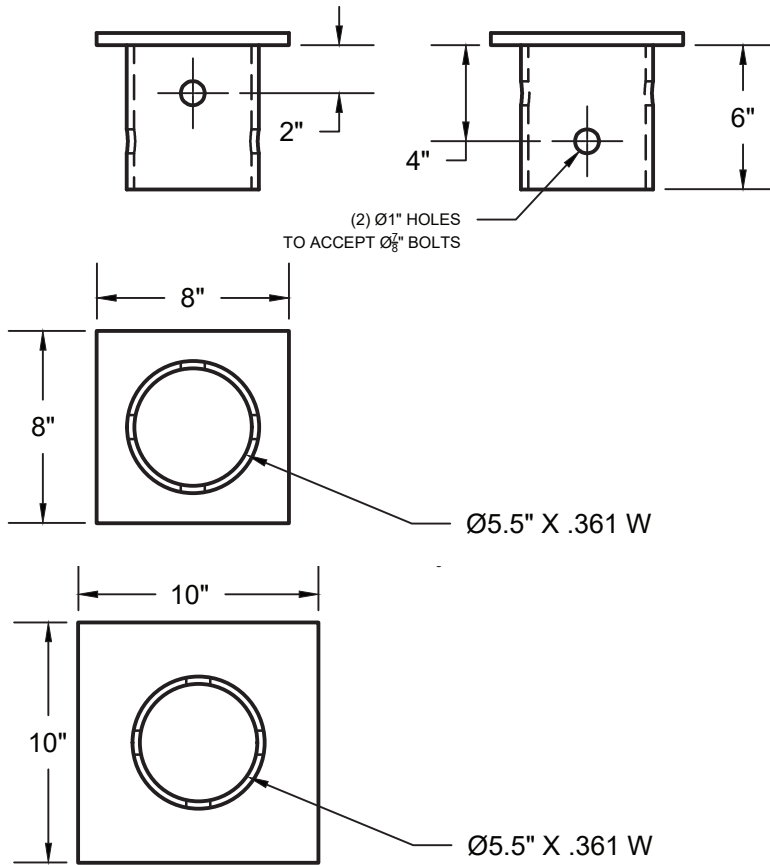
BRACKETS

4-1/2" 8X8 NEW CONSTRUCTION BRACKET

4.5-BNC88G or 4.5-BNC88B

4-1/2" 10X10 NEW CONSTRUCTION BRACKET

4.5-BNC1010G or 4.5-BNC1010B



Other plate sizes available upon request

PILE CAPACITY

Structural Capacity	120 kips(allowable), 240 kips(ultimate)
Torque Rating	28,000 ft-lbs
k_t Factor	5.7 ft ⁻¹

Bracket Capacity

Compression	Designed For Project
Tension	Designed For Project

Geotechnical Capacity

Compression	80 kips (allowable), 160 kips (ultimate)
Tension	68 kips (allowable), 136 kips (ultimate)

PRODUCT SPECIFICATIONS

Shaft Properties

Nominal Shaft OD	4.50"
Nominal Wall Thickness	0.337"
Design Wall Thickness	0.313"
Corroded Wall Thickness*	0.277"
Design Area Moment of Inertia	9.08 in. ⁴
Corroded Area Moment of Inertia*	8.03 in. ⁴
Design Section Modulus	4.04 in. ³
Corroded Section Modulus*	3.60 in. ³
Shaft Min. Yield Strength	55 ksi

Bracket Properties

Plate Min. Yield Strength	50 ksi
Plate Min. Yield Strength	55 ksi
Available Plate Thickness	1/2", 3/4", 1"

Connection Details

Coupling	Pipe
Hardware	(2) 7/8"Ø A325.

Coating Options

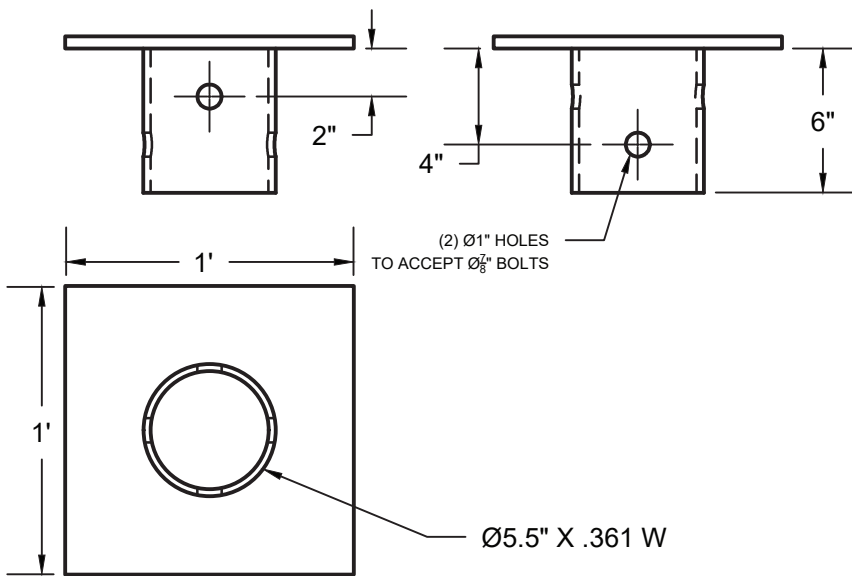
Bare Steel
Hot-Dipped Galvanized per ASTM A123/153.

*Based on 50 years per AC358

BRACKETS

4.5-BNC1212G or 4.5-BNC1212B

4-1/2" 12X12 NEW CONSTRUCTION BRACKET



Other plate sizes available upon request

PILE CAPACITY

Structural Capacity	120 kips(allowable), 240 kips(ultimate)
Torque Rating	28,000 ft-lbs
k_t Factor	5.7 ft ⁻¹

Bracket Capacity

Compression	Designed For Project
Tension	Designed For Project

Geotechnical Capacity

Compression	80 kips (allowable), 160 kips (ultimate)
Tension	68 kips (allowable), 136 kips (ultimate)

PRODUCT SPECIFICATIONS

Shaft Properties

Nominal Shaft OD	4.50"
Nominal Wall Thickness	0.337"
Design Wall Thickness	0.313"
Corroded Wall Thickness*	0.277"
Design Area Moment of Inertia	9.08 in. ⁴
Corroded Area Moment of Inertia*	8.03 in. ⁴
Design Section Modulus	4.04 in. ³
Corroded Section Modulus*	3.60 in. ³
Shaft Min. Yield Strength	55 ksi

Bracket Properties

Plate Min. Yield Strength	50 ksi
Plate Min. Yield Strength	55 ksi
Available Plate Thickness	1/2", 3/4", 1"

Connection Details

Coupling	Pipe
Hardware	(2) 7/8"Ø A325.

Coating Options

Bare Steel
Hot-Dipped Galvanized per ASTM A123/153.

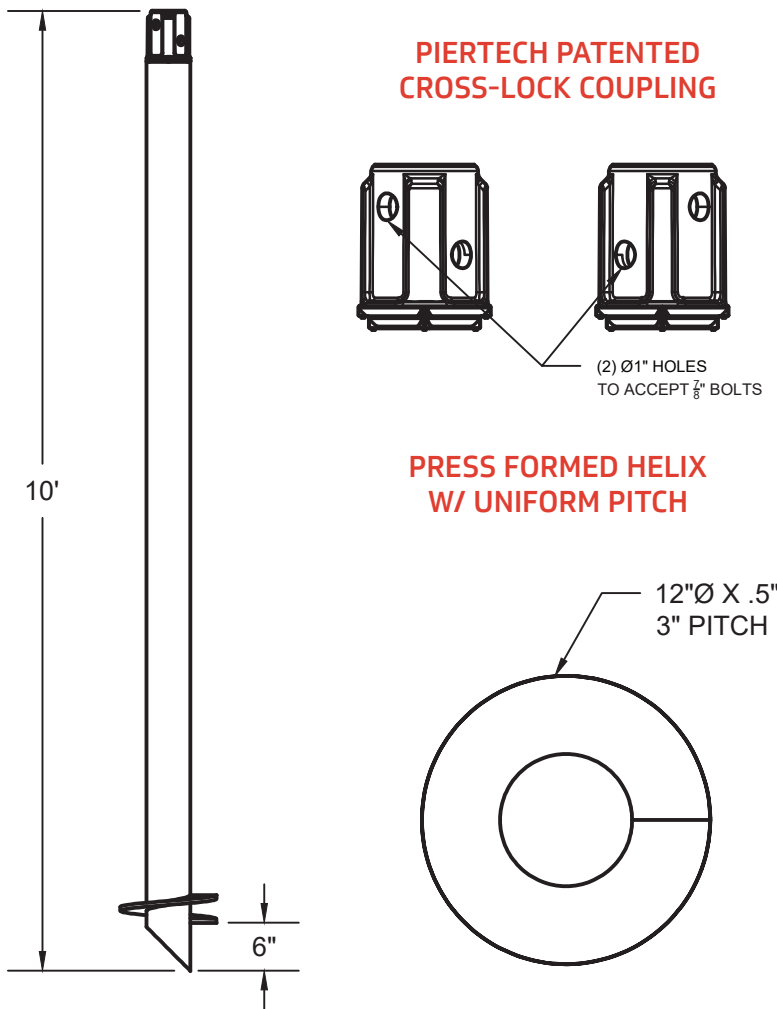
*Based on 50 years per AC358

TECHNICAL 5-1/2 DIAMETER

SINGLE HELIX LEADS

5-1/2" 10FT. 12" HELIX LEAD

5.5-L1012G or 5.5-L1012B



Other grades and wall thicknesses available upon request

PILE CAPACITY

Structural Capacity	160 kips(allowable), 320 kips(ultimate)
Torque Rating	44,000 ft-lbs
k_t Factor	4.6 ft ⁻¹

Geotechnical Capacity

Compression	101 kips (allowable), 202 kips (ultimate)
Tension	85.5 kips (allowable), 171.7 kips (ultimate)

PRODUCT SPECIFICATIONS

Shaft Properties

Nominal Shaft OD	5.50"
Nominal Wall Thickness	0.361"
Design Wall Thickness	0.336"
Corroded Wall Thickness*	0.300"
Design Area Moment of Inertia	18.2 in. ⁴
Corroded Area Moment of Inertia*	16.3 in. ⁴
Design Section Modulus	6.63 in. ³
Corroded Section Modulus*	5.95 in. ³
Shaft Min. Yield Strength	55 ksi

Helix Properties

Standard Plate Thickness	0.500"
Available Plate Thicknesses	0.375" 0.625" 0.75"
Plate Min. Yield Strength	50 ksi
Standard Helix Pitch	6"
Available Helix Pitch	3"
Cutting Profile Options	Standard V-Cut Seashell Cut

Connection Details

Coupling	Piertech Patented Cross-lock
Hardware	(2) 3/4"Ø A325

Coating Options

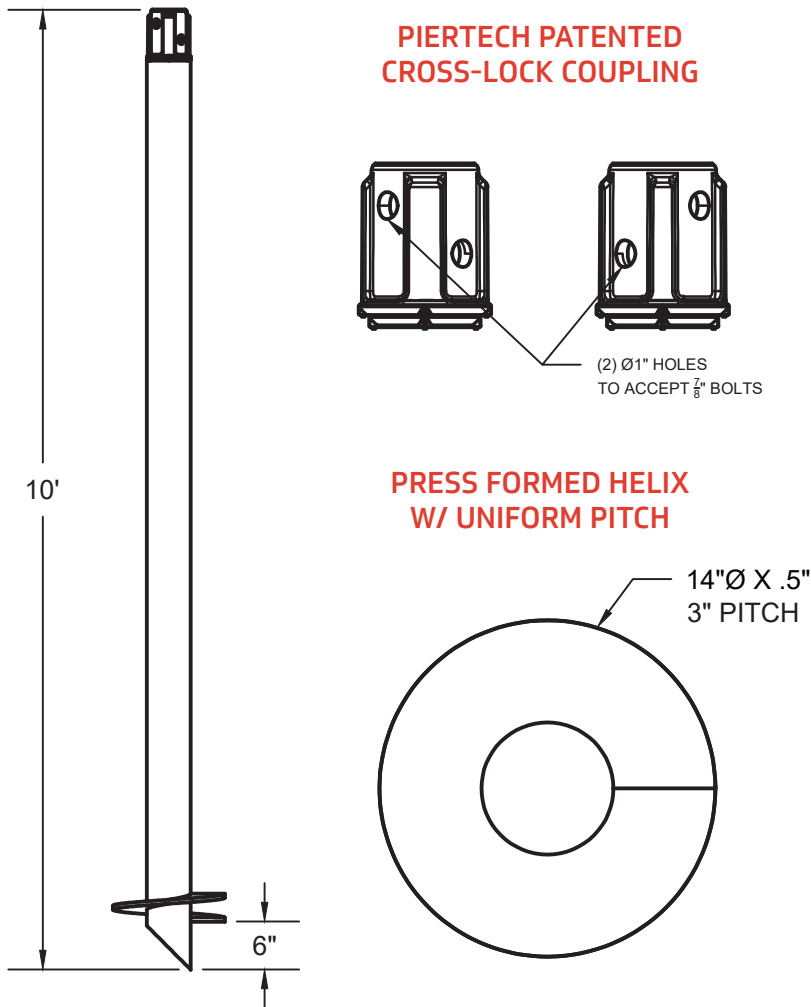
Bare Steel
Hot-Dipped Galvanized per ASTM A123/153.

*Based on 50 years per AC358

SINGLE HELIX LEADS

5-1/2" 10FT. 14" HELIX LEAD

5.5-L1014G or 5.5-L1014B



Other grades and wall thicknesses available upon request

PILE CAPACITY

Structural Capacity	160 kips(allowable), 320 kips(ultimate)
Torque Rating	44,000 ft-lbs
k_t Factor	4.6 ft ⁻¹

Geotechnical Capacity

Compression	101 kips (allowable), 202 kips (ultimate)
Tension	85.5 kips (allowable), 171.7 kips (ultimate)

PRODUCT SPECIFICATIONS

Shaft Properties

Nominal Shaft OD	5.50"
Nominal Wall Thickness	0.361"
Design Wall Thickness	0.336"
Corroded Wall Thickness*	0.300"
Design Area Moment of Inertia	18.2 in. ⁴
Corroded Area Moment of Inertia*	16.3 in. ⁴
Design Section Modulus	6.63 in. ³
Corroded Section Modulus*	5.95 in. ³
Shaft Min. Yield Strength	55 ksi

Helix Properties

Standard Plate Thickness	0.500"
Available Plate Thicknesses	0.375" 0.625" 0.75"
Plate Min. Yield Strength	50 ksi
Standard Helix Pitch	6"
Available Helix Pitch	3"
Cutting Profile Options	Standard V-Cut Seashell Cut

Connection Details

Coupling	Piertech Patented Cross-lock
Hardware	(2) 3/4"Ø A325

Coating Options

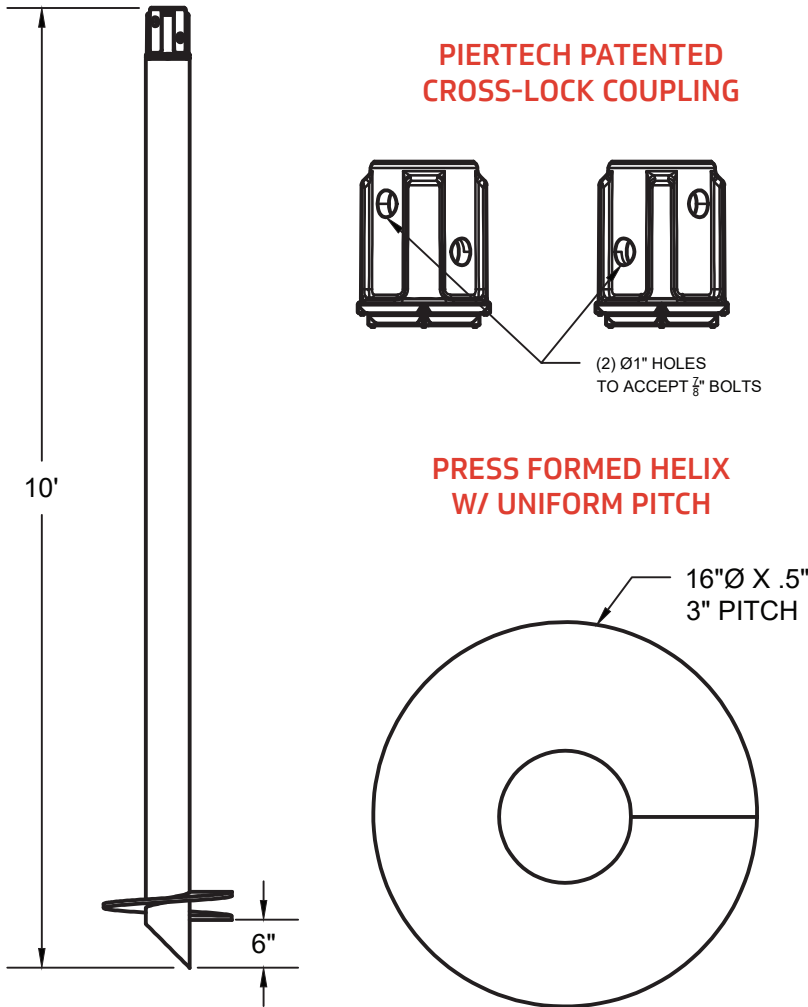
Bare Steel
Hot-Dipped Galvanized per ASTM A123/153.

*Based on 50 years per AC358

SINGLE HELIX LEADS

5-1/2" 10FT. 16" HELIX LEAD

5.5-L1016G or 5.5-L1016B



Other grades and wall thicknesses available upon request

PILE CAPACITY

Structural Capacity	160 kips(allowable), 320 kips(ultimate)
Torque Rating	44,000 ft-lbs
k_t Factor	4.6 ft ⁻¹

Geotechnical Capacity

Compression	101 kips (allowable), 202 kips (ultimate)
Tension	85.5 kips (allowable), 171.7 kips (ultimate)

PRODUCT SPECIFICATIONS

Shaft Properties

Nominal Shaft OD	5.50"
Nominal Wall Thickness	0.361"
Design Wall Thickness	0.336"
Corroded Wall Thickness*	0.300"
Design Area Moment of Inertia	18.2 in. ⁴
Corroded Area Moment of Inertia*	16.3 in. ⁴
Design Section Modulus	6.63 in. ³
Corroded Section Modulus*	5.95 in. ³
Shaft Min. Yield Strength	55 ksi

Helix Properties

Standard Plate Thickness	0.500"
Available Plate Thicknesses	0.375" 0.625" 0.75"
Plate Min. Yield Strength	50 ksi
Standard Helix Pitch	6"
Available Helix Pitch	3"
Cutting Profile Options	Standard V-Cut Seashell Cut

Connection Details

Coupling	Piertech Patented Cross-lock
Hardware	(2) 3/4"Ø A325

Coating Options

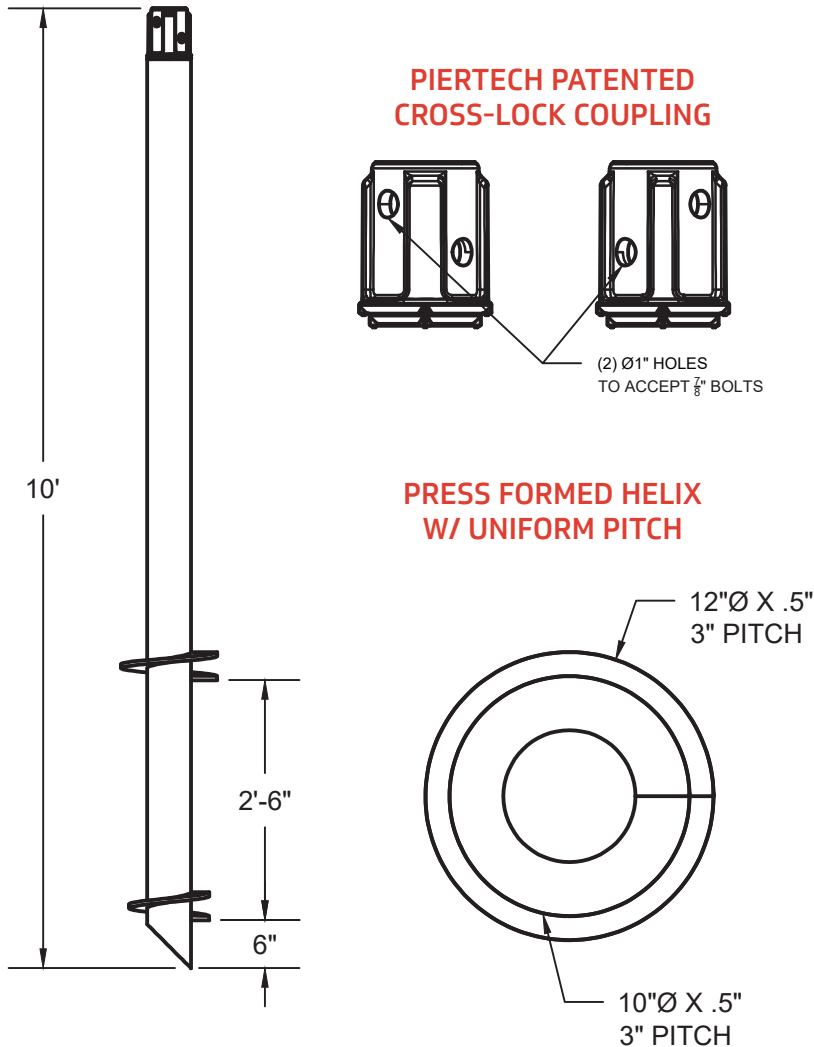
Bare Steel
Hot-Dipped Galvanized per ASTM A123/153.

*Based on 50 years per AC358

DOUBLE HELIX LEADS

5.5-L101012G or 5.5-L101012B

5-1/2" 10FT. 10"-12" HELIX LEAD



Other grades and wall thicknesses available upon request

PILE CAPACITY

Structural Capacity	160 kips(allowable), 320 kips(ultimate)
Torque Rating	44,000 ft-lbs
k_t Factor	4.6 ft ⁻¹

Geotechnical Capacity

Compression	101 kips (allowable), 202 kips (ultimate)
Tension	85.5 kips (allowable), 171.7 kips (ultimate)

PRODUCT SPECIFICATIONS

Shaft Properties

Nominal Shaft OD	5.50"
Nominal Wall Thickness	0.361"
Design Wall Thickness	0.336"
Corroded Wall Thickness*	0.300"
Design Area Moment of Inertia	18.2 in. ⁴
Corroded Area Moment of Inertia*	16.3 in. ⁴
Design Section Modulus	6.63 in. ³
Corroded Section Modulus*	5.95 in. ³
Shaft Min. Yield Strength	55 ksi

Helix Properties

Standard Plate Thickness	0.500"
Available Plate Thicknesses	0.375" 0.625" 0.75"
Plate Min. Yield Strength	50 ksi
Standard Helix Pitch	6"
Available Helix Pitch	3"
Cutting Profile Options	Standard V-Cut Seashell Cut

Connection Details

Coupling	Pierotech Patented Cross-lock
Hardware	(2) 3/4"Ø A325

Coating Options

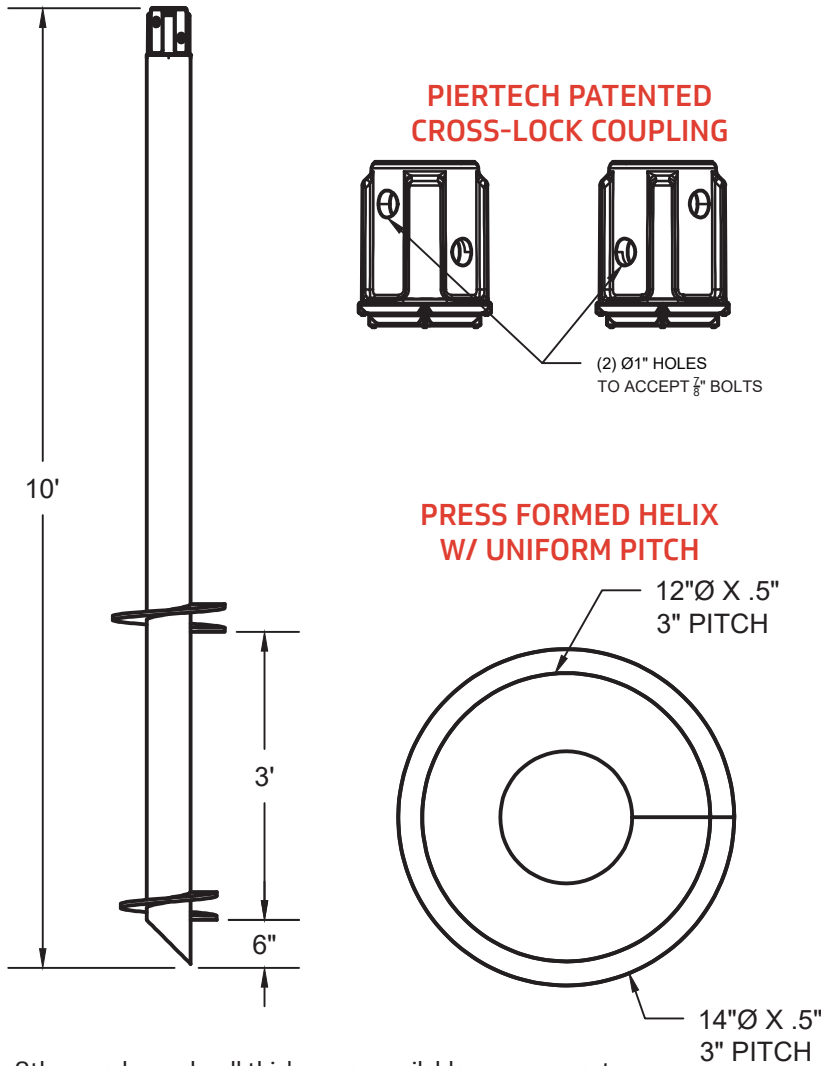
Bare Steel
Hot-Dipped Galvanized per ASTM A123/153.

*Based on 50 years per AC358

DOUBLE HELIX LEADS

5-1/2" 10FT. 12-14" HELIX LEAD

5.5-L101214G or 5.5-L101214B



Other grades and wall thicknesses available upon request

PILE CAPACITY

Structural Capacity	160 kips(allowable), 320 kips(ultimate)
Torque Rating	44,000 ft-lbs
k_t Factor	4.6 ft ⁻¹

Geotechnical Capacity

Compression	101 kips (allowable), 202 kips (ultimate)
Tension	85.5 kips (allowable), 171.7 kips (ultimate)

PRODUCT SPECIFICATIONS

Shaft Properties

Nominal Shaft OD	5.50"
Nominal Wall Thickness	0.361"
Design Wall Thickness	0.336"
Corroded Wall Thickness*	0.300"
Design Area Moment of Inertia	18.2 in. ⁴
Corroded Area Moment of Inertia*	16.3 in. ⁴
Design Section Modulus	6.63 in. ³
Corroded Section Modulus*	5.95 in. ³
Shaft Min. Yield Strength	55 ksi

Helix Properties

Standard Plate Thickness	0.500"
Available Plate Thicknesses	0.375" 0.625" 0.75"
Plate Min. Yield Strength	50 ksi
Standard Helix Pitch	6"
Available Helix Pitch	3"
Cutting Profile Options	Standard V-Cut Seashell Cut

Connection Details

Coupling	PierTech Patented Cross-lock
Hardware	(2) 3/4"Ø A325

Coating Options

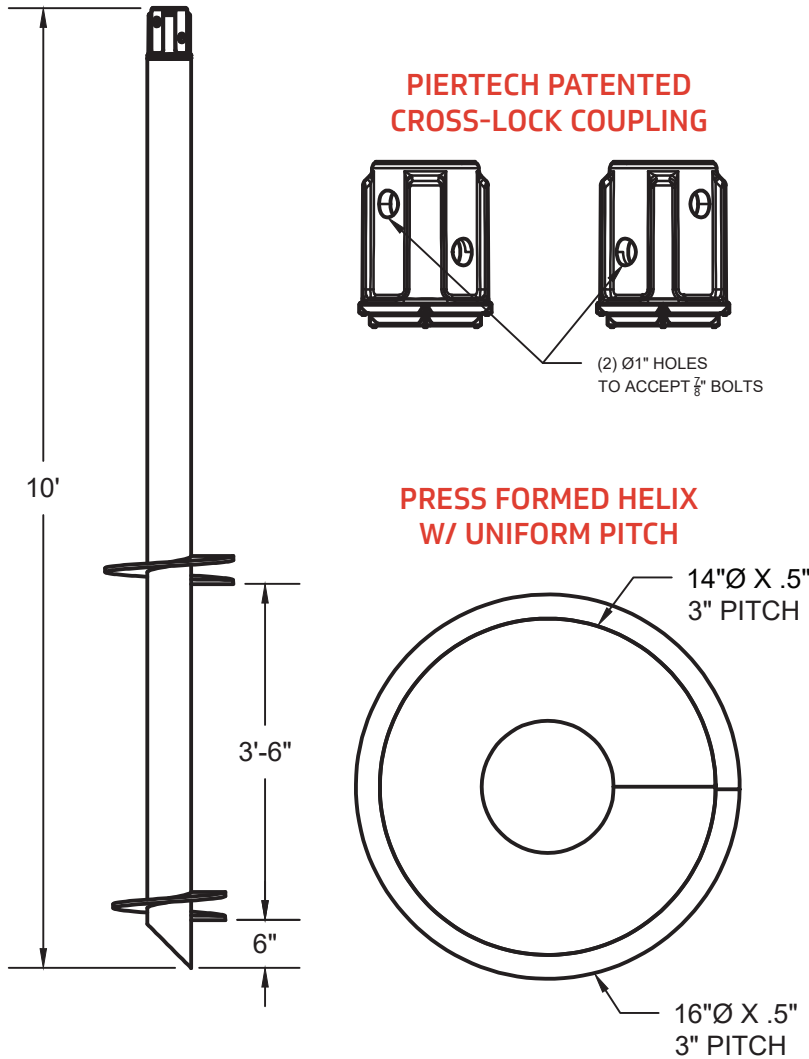
Bare Steel	
Hot-Dipped Galvanized per ASTM A123/153.	

*Based on 50 years per AC308

DOUBLE HELIX LEADS

5.5-L1016G or 5.5-L1016B

5-1/2" 10FT. 14"-16" HELIX LEAD



Other grades and wall thicknesses available upon request

PILE CAPACITY

Structural Capacity	160 kips(allowable), 320 kips(ultimate)
Torque Rating	44,000 ft-lbs
k_t Factor	4.6 ft ⁻¹

Geotechnical Capacity

Compression	101 kips (allowable), 202 kips (ultimate)
Tension	85.5 kips (allowable), 171.7 kips (ultimate)

PRODUCT SPECIFICATIONS

Shaft Properties

Nominal Shaft OD	5.50"
Nominal Wall Thickness	0.361"
Design Wall Thickness	0.336"
Corroded Wall Thickness*	0.300"
Design Area Moment of Inertia	18.2 in. ⁴
Corroded Area Moment of Inertia*	16.3 in. ⁴
Design Section Modulus	6.63 in. ³
Corroded Section Modulus*	5.95 in. ³
Shaft Min. Yield Strength	55 ksi

Helix Properties

Standard Plate Thickness	0.500"
Available Plate Thicknesses	0.375" 0.625" 0.75"
Plate Min. Yield Strength	50 ksi
Standard Helix Pitch	6"
Available Helix Pitch	3"
Cutting Profile Options	Standard V-Cut Seashell Cut

Connection Details

Coupling	Piertech Patented Cross-lock
Hardware	(2) 3/4"Ø A325

Coating Options

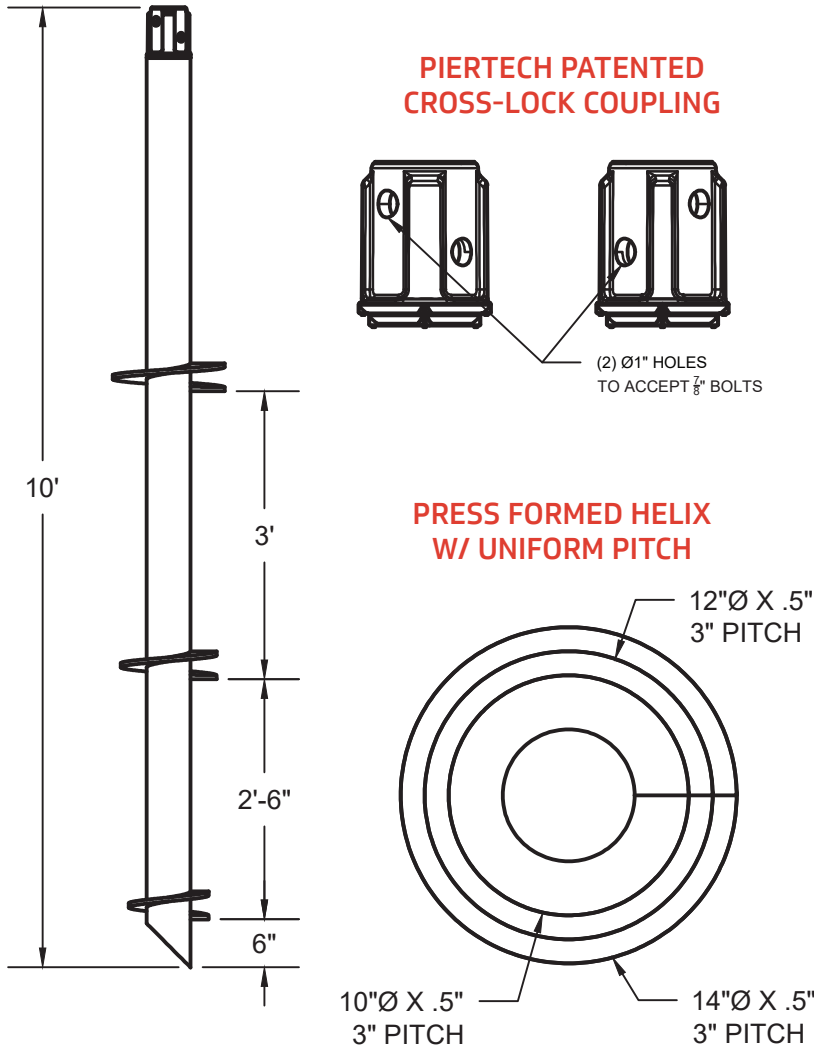
Bare Steel
Hot-Dipped Galvanized per ASTM A123/153.

*Based on 50 years per AC308

TRIPLE HELIX LEADS

5-1/2" 10FT. 10"-12"-14" HELIX LEAD

5.5-L10101214G or 5.5-L10101214B



Other grades and wall thicknesses available upon request

PILE CAPACITY

Structural Capacity	160 kips(allowable), 320 kips(ultimate)
Torque Rating	44,000 ft-lbs
k_t Factor	4.6 ft ⁻¹

Geotechnical Capacity

Compression	101 kips (allowable), 202 kips (ultimate)
Tension	85.5 kips (allowable), 171.7 kips (ultimate)

PRODUCT SPECIFICATIONS

Shaft Properties

Nominal Shaft OD	5.50"
Nominal Wall Thickness	0.361"
Design Wall Thickness	0.336"
Corroded Wall Thickness*	0.300"
Design Area Moment of Inertia	18.2 in. ⁴
Corroded Area Moment of Inertia*	16.3 in. ⁴
Design Section Modulus	6.63 in. ³
Corroded Section Modulus*	5.95 in. ³
Shaft Min. Yield Strength	55 ksi

Helix Properties

Standard Plate Thickness	0.500"
Available Plate Thicknesses	0.375" 0.625" 0.75"
Plate Min. Yield Strength	50 ksi
Standard Helix Pitch	6"
Available Helix Pitch	3"
Cutting Profile Options	Standard V-Cut Seashell Cut

Connection Details

Coupling	Piertech Patented Cross-lock
Hardware	(2) 3/4"Ø A325

Coating Options

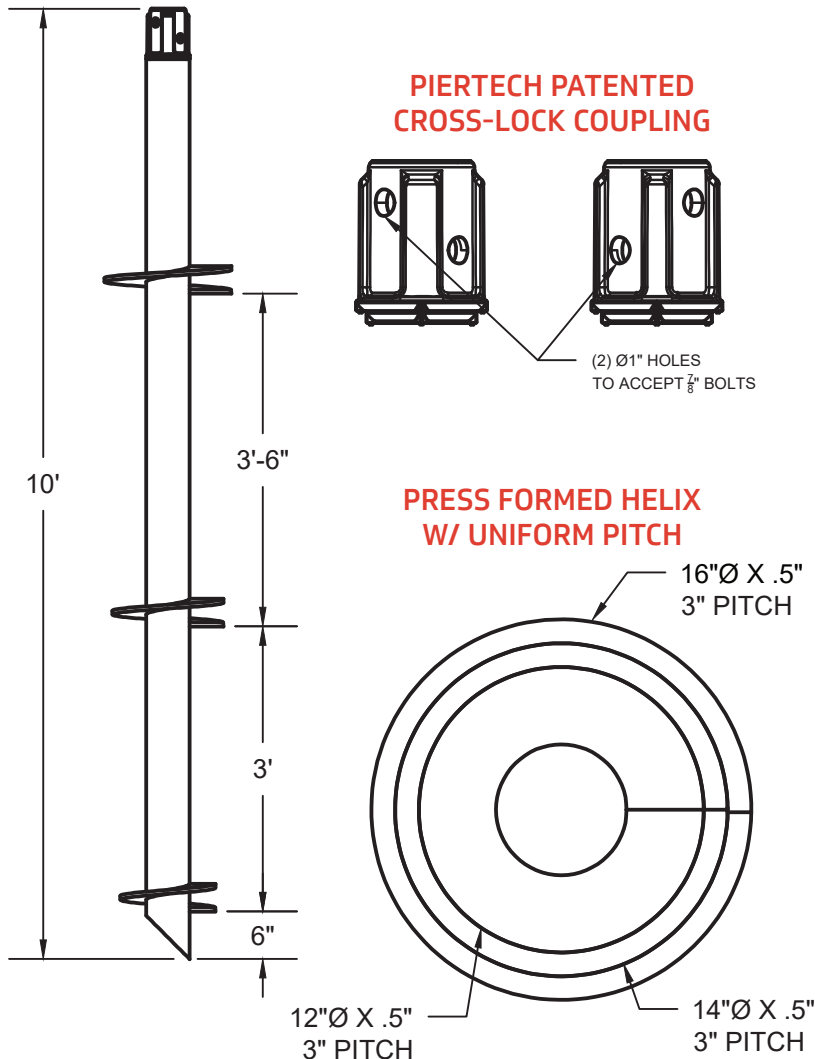
Bare Steel
Hot-Dipped Galvanized per ASTM A123/153.

*Based on 50 years per AC358

TRIPLE HELIX LEADS

5.5-L10121416G or 5.5-L10121416B

5-1/2" 10FT. 12"-14"-16" HELIX LEAD



Other grades and wall thicknesses available upon request

PILE CAPACITY

Structural Capacity	160 kips(allowable), 320 kips(ultimate)
Torque Rating	44,000 ft-lbs
k_t Factor	4.6 ft ⁻¹

Geotechnical Capacity

Compression	101 kips (allowable), 202 kips (ultimate)
Tension	85.5 kips (allowable), 171.7 kips (ultimate)

PRODUCT SPECIFICATIONS

Shaft Properties

Nominal Shaft OD	5.50"
Nominal Wall Thickness	0.361"
Design Wall Thickness	0.336"
Corroded Wall Thickness*	0.300"
Design Area Moment of Inertia	18.2 in. ⁴
Corroded Area Moment of Inertia*	16.3 in. ⁴
Design Section Modulus	6.63 in. ³
Corroded Section Modulus*	5.95 in. ³
Shaft Min. Yield Strength	55 ksi

Helix Properties

Standard Plate Thickness	0.500"
Available Plate Thicknesses	0.375" 0.625" 0.75"
Plate Min. Yield Strength	50 ksi
Standard Helix Pitch	6"
Available Helix Pitch	3"
Cutting Profile Options	Standard V-Cut Seashell Cut

Connection Details

Coupling	Piertech Patented Cross-lock
Hardware	(2) 3/4"Ø A325

Coating Options

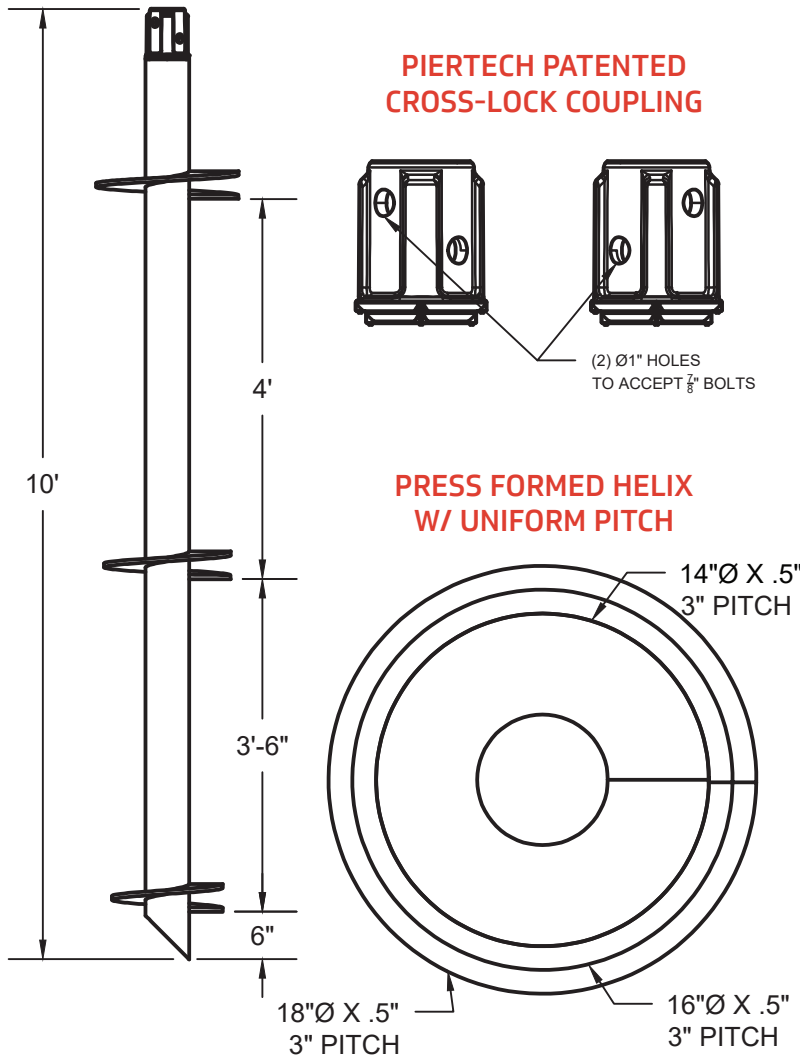
Bare Steel
Hot-Dipped Galvanized per ASTM A123/153.

*Based on 50 years per AC358

TRIPLE HELIX LEADS

5-1/2" 10FT. 14"-16"-18" HELIX LEAD

5.5-L10141618G or 5.5-L10141618B



Other grades and wall thicknesses available upon request

PILE CAPACITY

Structural Capacity	160 kips(allowable), 320 kips(ultimate)
Torque Rating	44,000 ft-lbs
k_t Factor	4.6 ft ⁻¹

Geotechnical Capacity

Compression	101 kips (allowable), 202 kips (ultimate)
Tension	85.5 kips (allowable), 171.7 kips (ultimate)

PRODUCT SPECIFICATIONS

Shaft Properties

Nominal Shaft OD	5.50"
Nominal Wall Thickness	0.361"
Design Wall Thickness	0.336"
Corroded Wall Thickness*	0.300"
Design Area Moment of Inertia	18.2 in. ⁴
Corroded Area Moment of Inertia*	16.3 in. ⁴
Design Section Modulus	6.63 in. ³
Corroded Section Modulus*	5.95 in. ³
Shaft Min. Yield Strength	55 ksi

Helix Properties

Standard Plate Thickness	0.500"
Available Plate Thicknesses	0.375" 0.625" 0.75"
Plate Min. Yield Strength	50 ksi
Standard Helix Pitch	6"
Available Helix Pitch	3"
Cutting Profile Options	Standard V-Cut Seashell Cut

Connection Details

Coupling	Piertech Patented Cross-lock
Hardware	(2) 3/4"Ø A325

Coating Options

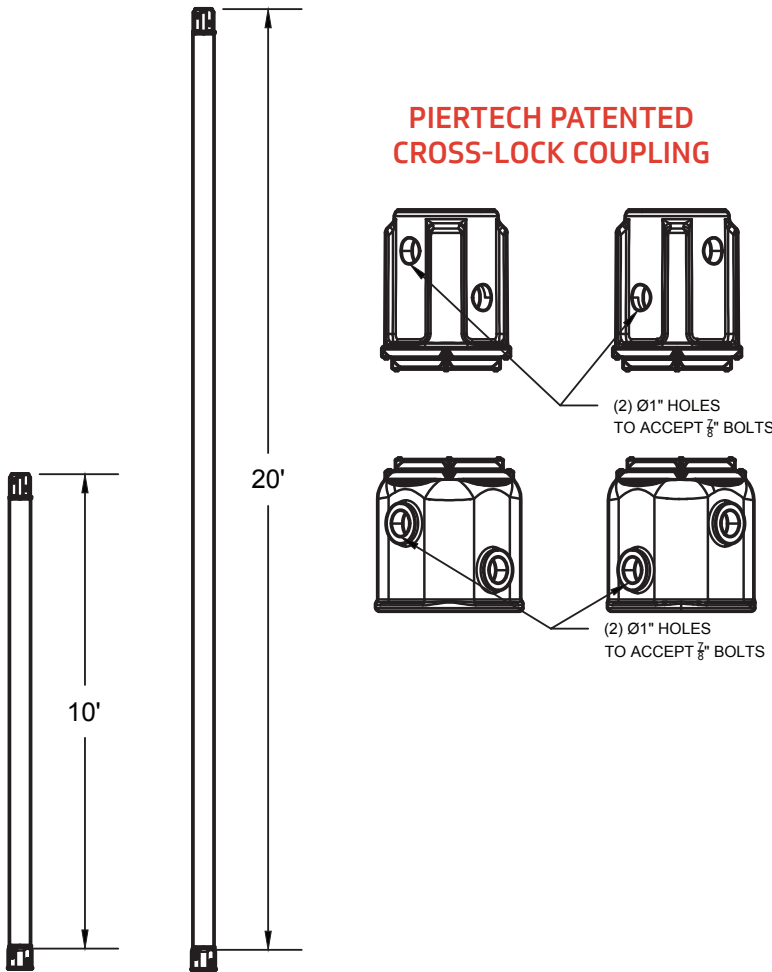
Bare Steel
Hot-Dipped Galvanized per ASTM A123/153.

*Based on 50 years per AC358

EXTENSIONS

5.5-E10G or 5.5-E10B, 5.5-E20G or 5.5-E20B

5-1/2" 10FT, 20FT EXTENSION



PRODUCT SPECIFICATIONS

Shaft Properties

Nominal Shaft OD	5.50"
Nominal Wall Thickness	0.361"
Design Wall Thickness	0.336"
Corroded Wall Thickness*	0.300"
Design Area Moment of Inertia	18.2 in. ⁴
Corroded Area Moment of Inertia*	16.3 in. ⁴
Design Section Modulus	6.63 in. ³
Corroded Section Modulus*	5.95 in. ³
Shaft Min. Yield Strength	55 ksi

Helix Properties

Standard Plate Thickness	0.500"
Available Plate Thicknesses	0.375" 0.625" 0.75"
Plate Min. Yield Strength	50 ksi
Standard Helix Pitch	6"
Available Helix Pitch	3"
Cutting Profile Options	Standard V-Cut Seashell Cut

Other grades and wall thicknesses available upon request

PILE CAPACITY

Structural Capacity	160 kips(allowable), 320 kips(ultimate)
Torque Rating	44,000 ft-lbs
k_t Factor	4.6 ft ⁻¹

Geotechnical Capacity

Compression	101 kips (allowable), 202 kips (ultimate)
Tension	85.5 kips (allowable), 171.7 kips (ultimate)

Connection Details

Coupling	Piertech Patented Cross-lock
Hardware	(2) 3/4"Ø A325

Coating Options

Bare Steel	
Hot-Dipped Galvanized per ASTM A123/153.	

*Based on 50 years per AC358

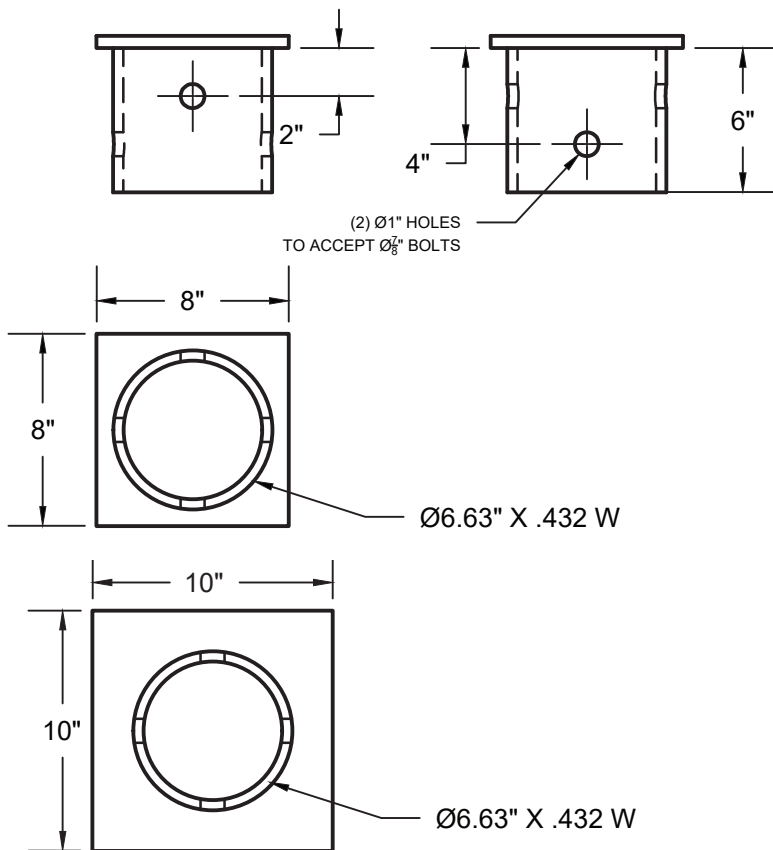
BRACKETS

5-1/2" 8X8 NEW CONSTRUCTION BRACKET

5.5-BNC88G or 5.5-BNC88B

5-1/2" 10X10 NEW CONSTRUCTION BRACKET

5.5-BNC1010G or 5.5-BNC1010B



PRODUCT SPECIFICATIONS

Shaft Properties

Nominal Shaft OD	5.50"
Nominal Wall Thickness	0.361"
Design Wall Thickness	0.336"
Corroded Wall Thickness*	0.300"
Design Area Moment of Inertia	18.2 in. ⁴
Corroded Area Moment of Inertia*	16.3 in. ⁴
Design Section Modulus	6.63 in. ³
Corroded Section Modulus*	5.95 in. ³
Shaft Min. Yield Strength	55 ksi

Bracket Properties

Plate Min. Yield Strength	50 ksi
Plate Min. Yield Strength	55 ksi
Available Plate Thickness	1/2", 3/4", 1"

PILE CAPACITY

Structural Capacity	160 kips(allowable), 320 kips(ultimate)
Torque Rating	44,000 ft-lbs
k_t Factor	4.6 ft ⁻¹

Geotechnical Capacity

Compression	101 kips (allowable), 202 kips (ultimate)
Tension	85.5 kips (allowable), 171.7 kips (ultimate)

Connection Details

Coupling	Pipe
Hardware	(2) 7/8"Ø A325.

Coating Options

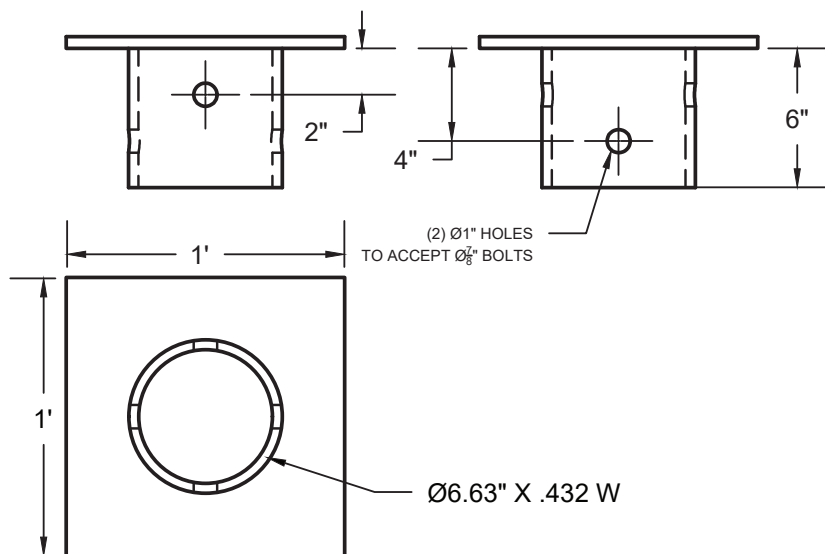
Bare Steel
Hot-Dipped Galvanized per ASTM A123/153.

*Based on 50 years per AC358

BRACKETS

5.5-BNC1212G or
5.5-BNC1212B

5-1/2" 12X12 NEW CONSTRUCTION BRACKET



PRODUCT SPECIFICATIONS

Shaft Properties

Nominal Shaft OD	5.50"
Nominal Wall Thickness	0.361"
Design Wall Thickness	0.336"
Corroded Wall Thickness*	0.300"
Design Area Moment of Inertia	18.2 in. ⁴
Corroded Area Moment of Inertia*	16.3 in. ⁴
Design Section Modulus	6.63 in. ³
Corroded Section Modulus*	5.95 in. ³
Shaft Min. Yield Strength	55 ksi

Bracket Properties

Plate Min. Yield Strength	50 ksi
Plate Min. Yield Strength	55 ksi
Available Plate Thickness	1/2", 3/4", 1"

PILE CAPACITY

Structural Capacity	160 kips(allowable), 320 kips(ultimate)
Torque Rating	44,000 ft-lbs
k_t Factor	4.6 ft ⁻¹

Geotechnical Capacity

Compression	101 kips (allowable), 202 kips (ultimate)
Tension	85.5 kips (allowable), 171.7 kips (ultimate)

Connection Details

Coupling	Pipe
Hardware	(2) 7/8"Ø A325.

Coating Options

Bare Steel
Hot-Dipped Galvanized per ASTM A123/153.

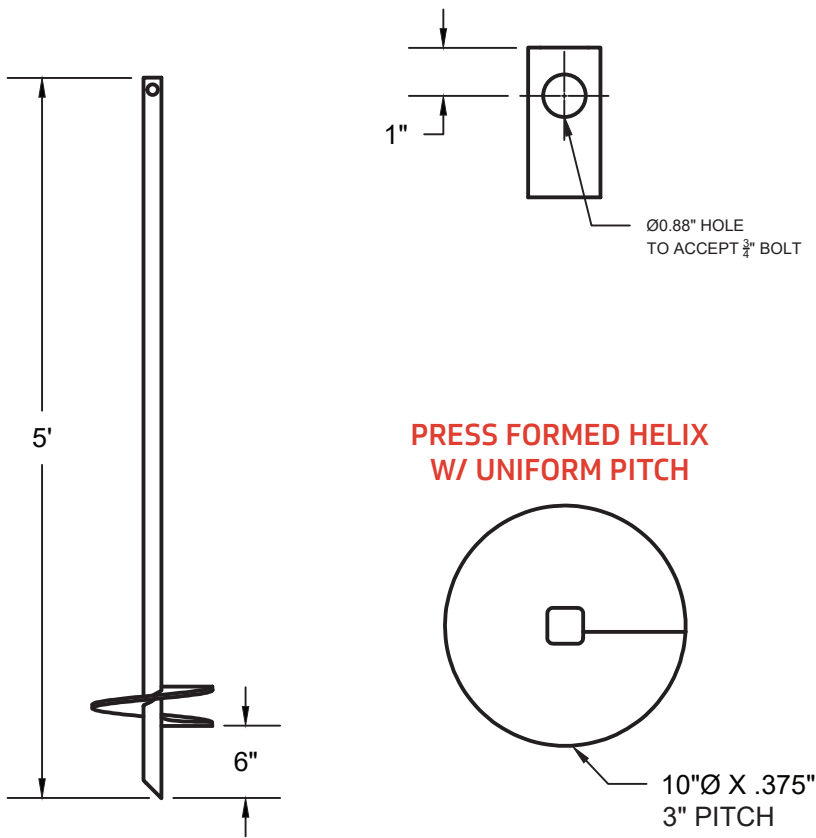
*Based on 50 years per AC358

TECHNICAL 1-1/2 DIAMETER

SINGLE HELIX LEADS

1-1/2" 5FT. 10" HELIX LEAD

1.5-L510G or 1.5-L510B



PILE CAPACITY

Torque Rating	7,000 ft-lbs
k_t Factor	10 ft ⁻¹

Geotechnical Capacity

Compression	35 kips (allowable), 70 kips (ultimate)
Tension	30 kips (allowable), 60 kips (ultimate)

PRODUCT SPECIFICATIONS

Shaft Properties

Nominal Shaft Size	1.5"
Shaft Min. Yield Strength	95 ksi

Helix Properties

Standard Plate Thickness	0.375"
Available Plate Thicknesses	0.5" 0.625" 0.75"
Plate Min. Yield Strength	50 ksi
Standard Helix Pitch	3"
Available Helix Pitch	6"
Cutting Profile Options	Standard V-Cut Seashell Cut

Connection Details

Coupling	Forged Single Bolt
Hardware	3/4"Ø Grade 5 Min.

Coating Options

Bare Steel

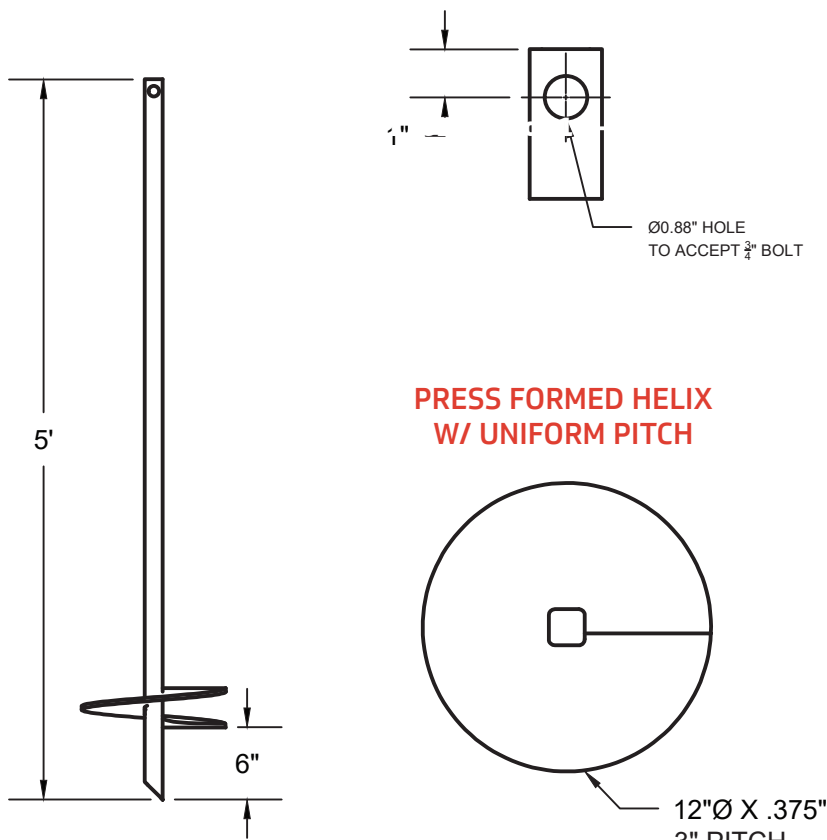
Hot-Dipped Galvanized per ASTM A123/153.

*Based on 50 years per AC358

SINGLE HELIX LEADS

1-1/2" 5FT. 12" HELIX LEAD

1.5-L512G or 1.5-L512B



PRODUCT SPECIFICATIONS

Shaft Properties

Nominal Shaft Size	1.5"
Shaft Min. Yield Strength	95 ksi

Helix Properties

Standard Plate Thickness	0.375"
Available Plate Thicknesses	0.5" 0.625" 0.75"
Plate Min. Yield Strength	50 ksi
Standard Helix Pitch	3"
Available Helix Pitch	6"
Cutting Profile Options	Standard V-Cut Seashell Cut

Connection Details

Coupling	Forged Single Bolt
Hardware	3/4"Ø Grade 5 Min.

Coating Options

Bare Steel
Hot-Dipped Galvanized per ASTM A123/153.

*Based on 50 years per AC358

PILE CAPACITY

Torque Rating	7,000 ft-lbs
k_t Factor	10 ft ⁻¹

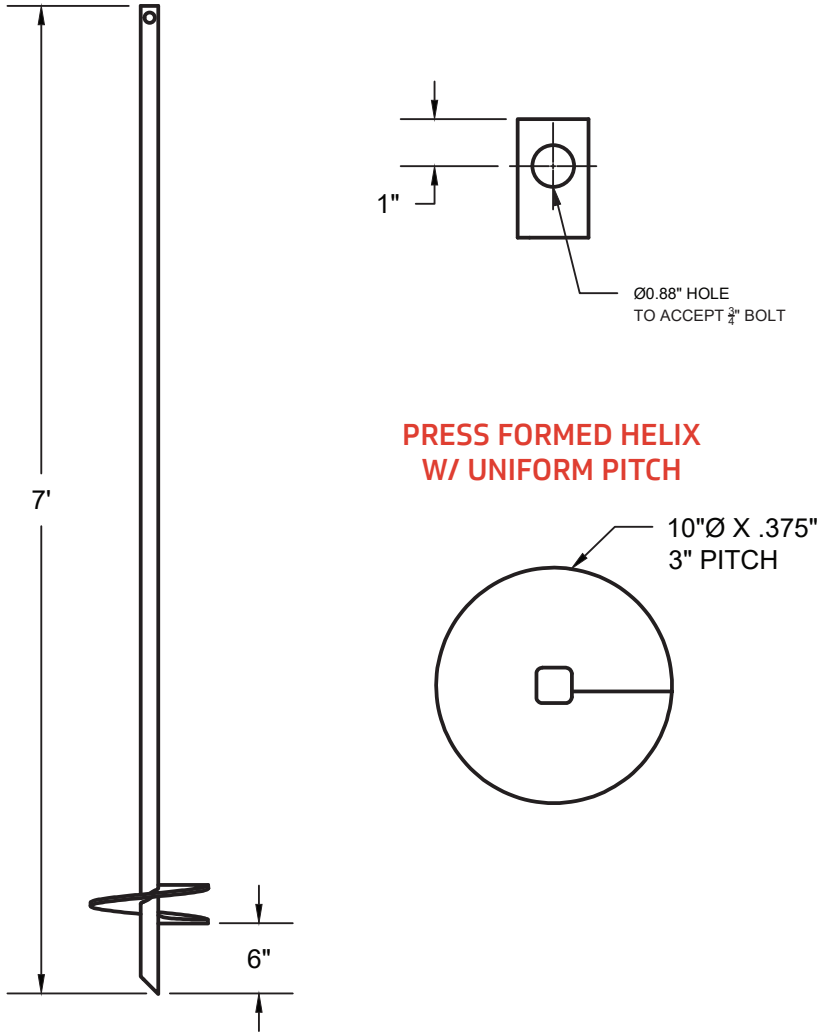
Geotechnical Capacity

Compression	35 kips (allowable), 70 kips (ultimate)
Tension	30 kips (allowable), 60 kips (ultimate)

SINGLE HELIX LEADS

1-1/2" 7FT. 10" HELIX LEAD

1.5-L710G or 1.5-L710B



PILE CAPACITY

Torque Rating	7,000 ft-lbs
k_t Factor	10 ft ⁻¹

Geotechnical Capacity

Compression	35 kips (allowable), 70 kips (ultimate)
Tension	30 kips (allowable), 60 kips (ultimate)

PRODUCT SPECIFICATIONS

Shaft Properties

Nominal Shaft Size	1.5"
Shaft Min. Yield Strength	95 ksi

Helix Properties

Standard Plate Thickness	0.375"
Available Plate Thicknesses	0.5" 0.625" 0.75"
Plate Min. Yield Strength	50 ksi
Standard Helix Pitch	3"
Available Helix Pitch	6"
Cutting Profile Options	Standard V-Cut Seashell Cut

Connection Details

Coupling	Forged Single Bolt
Hardware	3/4"Ø Grade 5 Min.

Coating Options

Bare Steel

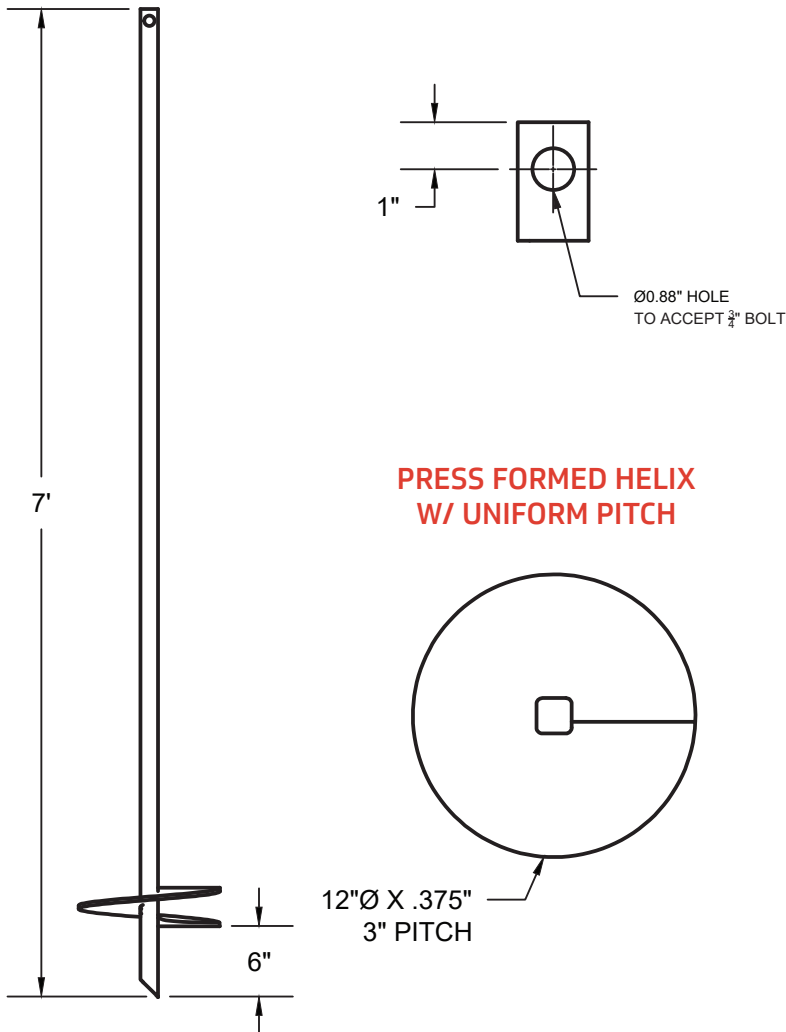
Hot-Dipped Galvanized per ASTM A123/153.

*Based on 50 years per AC358

SINGLE HELIX LEADS

1-1/2" 7FT. 12" HELIX LEAD

1.5-L712G or 1.5-L712B



**PRESS FORMED HELIX
W/ UNIFORM PITCH**

12"Ø X .375"
3" PITCH

PILE CAPACITY

Torque Rating	7,000 ft-lbs
k_t Factor	10 ft ⁻¹

Geotechnical Capacity

Compression	35 kips (allowable), 70 kips (ultimate)
Tension	30 kips (allowable), 60 kips (ultimate)

PRODUCT SPECIFICATIONS

Shaft Properties

Nominal Shaft Size	1.5"
Shaft Min. Yield Strength	95 ksi

Helix Properties

Standard Plate Thickness	0.375"
Available Plate Thicknesses	0.5" 0.625" 0.75"
Plate Min. Yield Strength	50 ksi
Standard Helix Pitch	3"
Available Helix Pitch	6"
Cutting Profile Options	Standard V-Cut Seashell Cut

Connection Details

Coupling	Forged Single Bolt
Hardware	3/4"Ø Grade 5 Min.

Coating Options

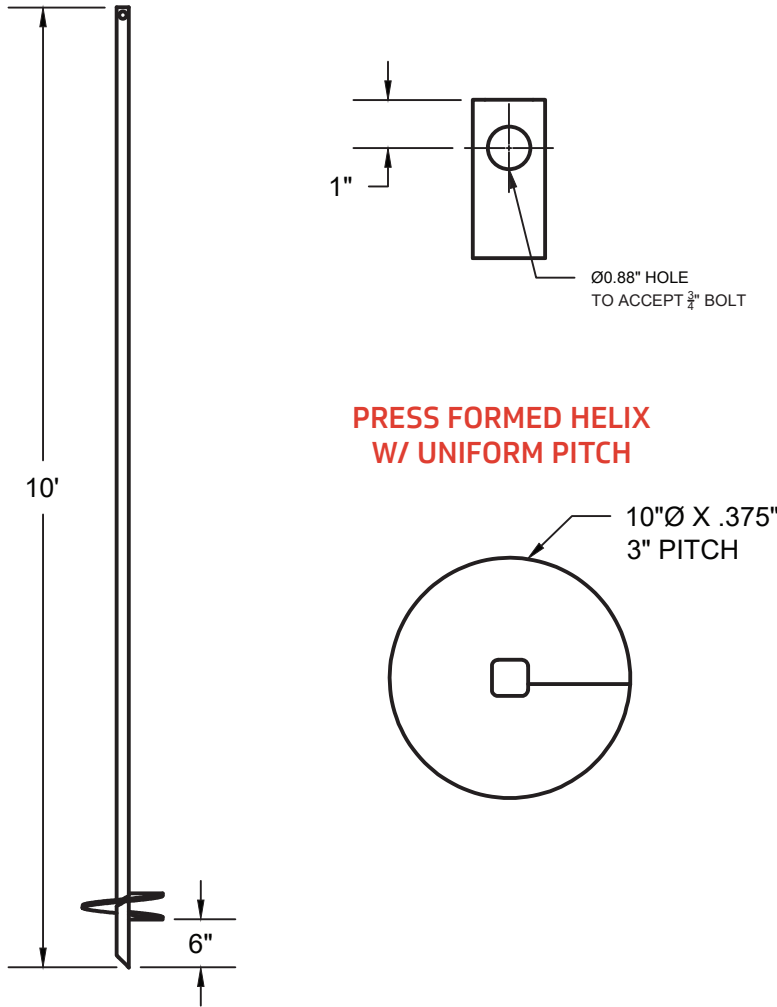
Bare Steel
Hot-Dipped Galvanized per ASTM A123/153.

**Based on 50 years per AC358*

SINGLE HELIX LEADS

1-1/2" 10FT. 10" HELIX LEAD

1.5-L1010G or 1.5-L1010B



**PRESS FORMED HELIX
W/ UNIFORM PITCH**

10"Ø X .375"
3" PITCH

PILE CAPACITY

Torque Rating	7,000 ft-lbs
k_t Factor	10 ft ⁻¹

Geotechnical Capacity

Compression	35 kips (allowable), 70 kips (ultimate)
Tension	30 kips (allowable), 60 kips (ultimate)

PRODUCT SPECIFICATIONS

Shaft Properties

Nominal Shaft Size	1.5"
Shaft Min. Yield Strength	95 ksi

Helix Properties

Standard Plate Thickness	0.375"
Available Plate Thicknesses	0.5" 0.625" 0.75"
Plate Min. Yield Strength	50 ksi
Standard Helix Pitch	3"
Available Helix Pitch	6"
Cutting Profile Options	Standard V-Cut Seashell Cut

Connection Details

Coupling	Forged Single Bolt
Hardware	3/4"Ø Grade 5 Min.

Coating Options

Bare Steel

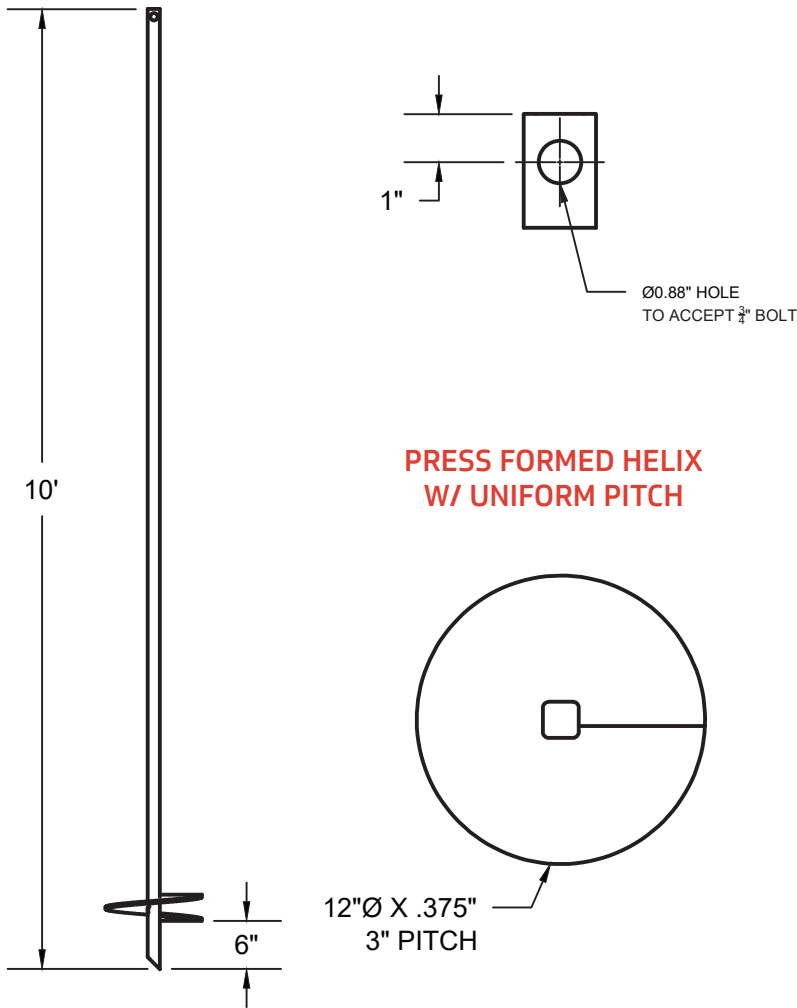
Hot-Dipped Galvanized per ASTM A123/153.

**Based on 50 years per AC358*

SINGLE HELIX LEADS

1-1/2" 10FT. 12" HELIX LEAD

1.5-L1012G or 1.5-L1012B



PRODUCT SPECIFICATIONS

Shaft Properties

Nominal Shaft Size	1.5"
Shaft Min. Yield Strength	95 ksi

Helix Properties

Standard Plate Thickness	0.375"
Available Plate Thicknesses	0.5" 0.625" 0.75"
Plate Min. Yield Strength	50 ksi
Standard Helix Pitch	3"
Available Helix Pitch	6"
Cutting Profile Options	Standard V-Cut Seashell Cut

Connection Details

Coupling	Forged Single Bolt
Hardware	3/4"Ø Grade 5 Min.

Coating Options

Bare Steel
Hot-Dipped Galvanized per ASTM A123/153.

**Based on 50 years per AC358*

PILE CAPACITY

Torque Rating	7,000 ft-lbs
k_t Factor	10 ft ⁻¹

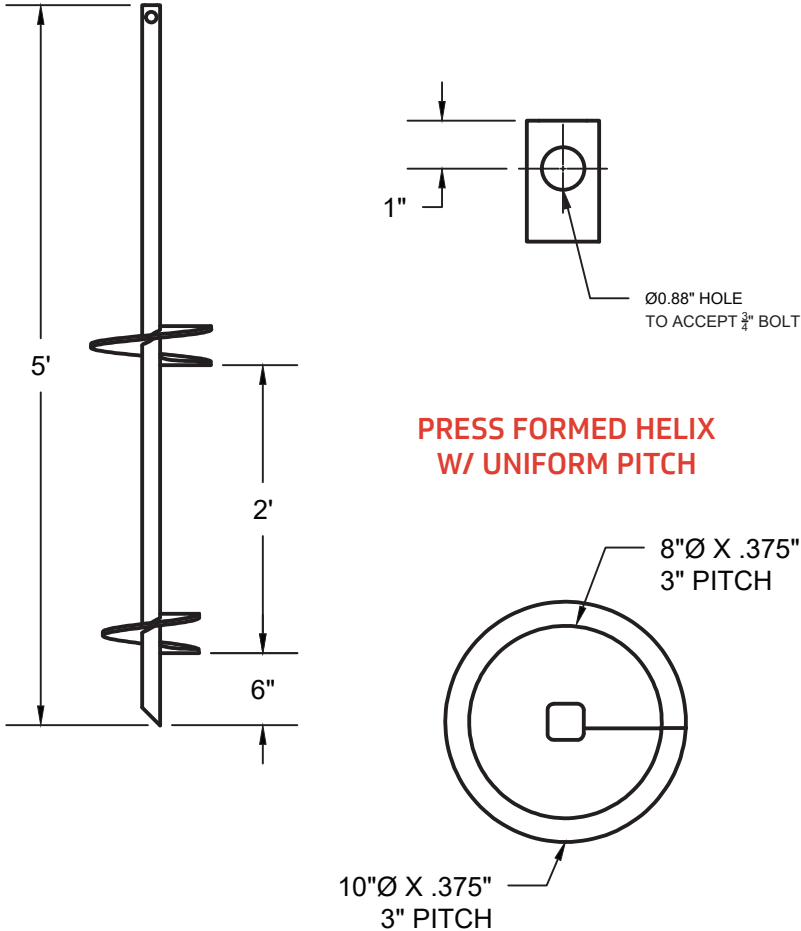
Geotechnical Capacity

Compression	35 kips (allowable), 70 kips (ultimate)
Tension	30 kips (allowable), 60 kips (ultimate)

DOUBLE HELIX LEADS

1-1/2" 5FT. 8"-10" HELIX LEAD

1.5-L5810G or 1.5-L5810B



PILE CAPACITY

Torque Rating	7,000 ft-lbs
k_t Factor	10 ft ⁻¹

Geotechnical Capacity

Compression	35 kips (allowable), 70 kips (ultimate)
Tension	30 kips (allowable), 60 kips (ultimate)

PRODUCT SPECIFICATIONS

Shaft Properties

Nominal Shaft Size	1.5"
Shaft Min. Yield Strength	95 ksi

Helix Properties

Standard Plate Thickness	0.375"
Available Plate Thicknesses	0.5" 0.625" 0.75"
Plate Min. Yield Strength	50 ksi
Standard Helix Pitch	3"
Available Helix Pitch	6"
Cutting Profile Options	Standard V-Cut Seashell Cut

Connection Details

Coupling	Forged Single Bolt
Hardware	3/4"Ø Grade 5 Min.

Coating Options

Bare Steel

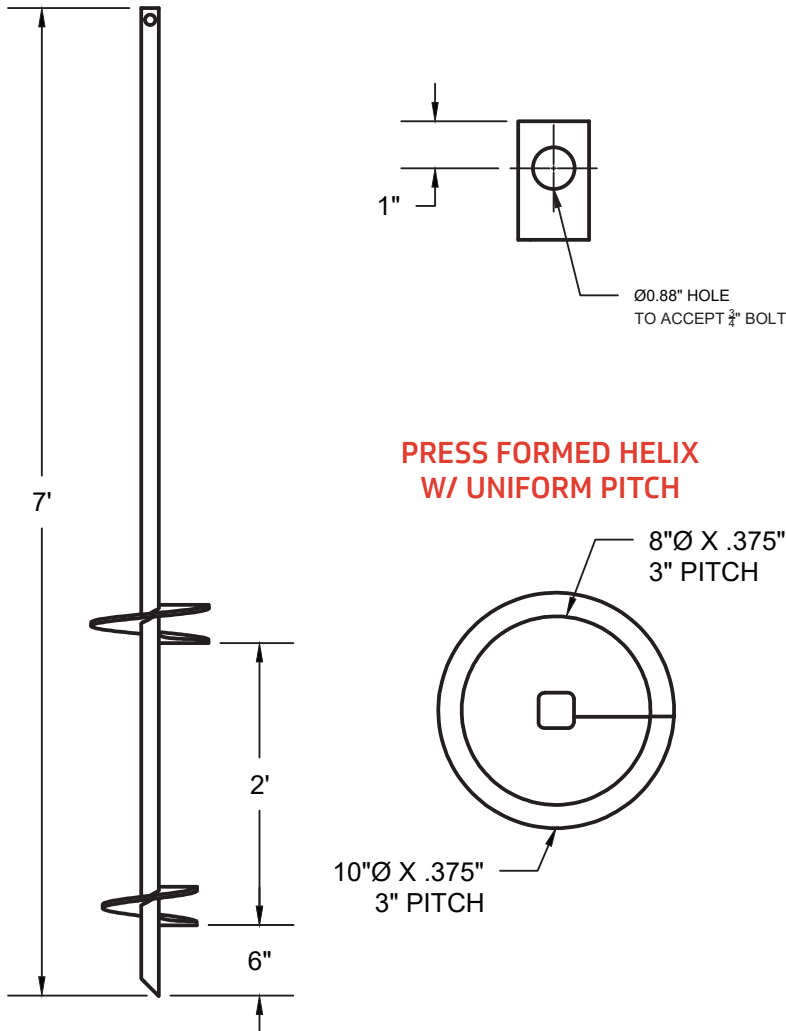
Hot-Dipped Galvanized per ASTM A123/153.

**Based on 50 years per AC358*

DOUBLE HELIX LEADS

1-1/2" 7FT. 8-10" HELIX LEAD

1.5-L7810G or 1.5-L7810B



PILE CAPACITY

Torque Rating	7,000 ft-lbs
k_t Factor	10 ft ⁻¹

Geotechnical Capacity

Compression	35 kips (allowable), 70 kips (ultimate)
Tension	30 kips (allowable), 60 kips (ultimate)

PRODUCT SPECIFICATIONS

Shaft Properties

Nominal Shaft Size	1.5"
Shaft Min. Yield Strength	95 ksi

Helix Properties

Standard Plate Thickness	0.375"
Available Plate Thicknesses	0.5" 0.625" 0.75"
Plate Min. Yield Strength	50 ksi
Standard Helix Pitch	3"
Available Helix Pitch	6"
Cutting Profile Options	Standard V-Cut Seashell Cut

Connection Details

Coupling	Forged Single Bolt
Hardware	3/4"Ø Grade 5 Min.

Coating Options

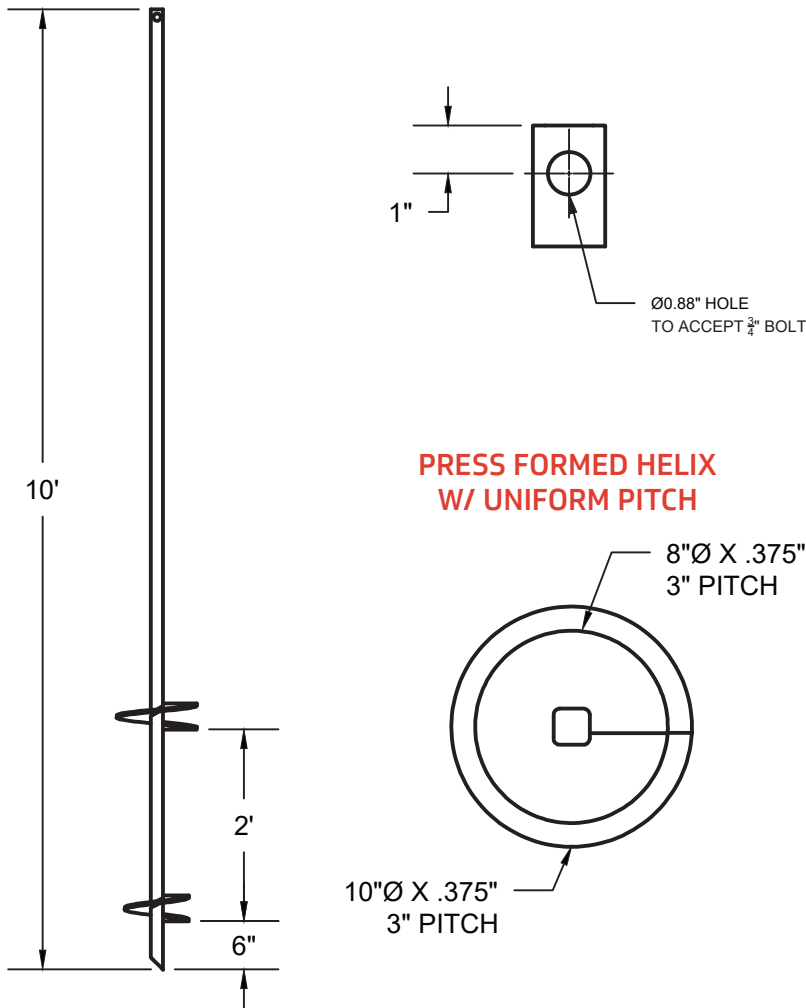
Bare Steel
Hot-Dipped Galvanized per ASTM A123/153.

**Based on 50 years per AC358*

DOUBLE HELIX LEADS

1-1/2" 10FT. 8"-10" HELIX LEAD

1.5-L10810G or 1.5-L10810B



PILE CAPACITY

Torque Rating	7,000 ft-lbs
k_t Factor	10 ft ⁻¹

Geotechnical Capacity

Compression	35 kips (allowable), 70 kips (ultimate)
Tension	30 kips (allowable), 60 kips (ultimate)

PRODUCT SPECIFICATIONS

Shaft Properties

Nominal Shaft Size	1.5"
Shaft Min. Yield Strength	95 ksi

Helix Properties

Standard Plate Thickness	0.375"
Available Plate Thicknesses	0.5" 0.625" 0.75"
Plate Min. Yield Strength	50 ksi
Standard Helix Pitch	3"
Available Helix Pitch	6"
Cutting Profile Options	Standard V-Cut Seashell Cut

Connection Details

Coupling	Forged Single Bolt
Hardware	3/4"Ø Grade 5 Min.

Coating Options

Bare Steel

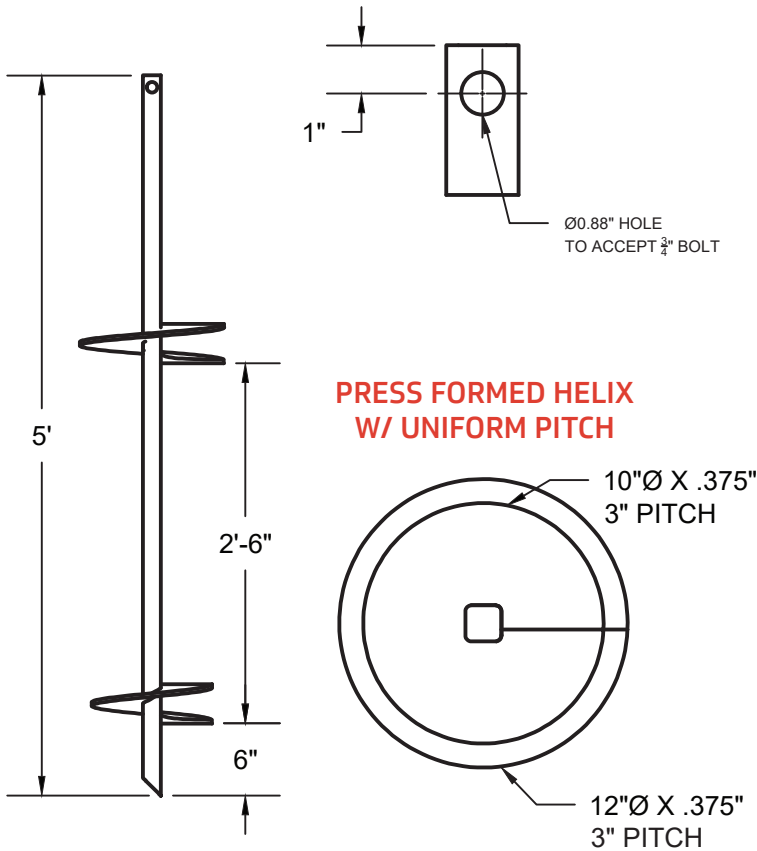
Hot-Dipped Galvanized per ASTM A123/153.

**Based on 50 years per AC358*

DOUBLE HELIX LEADS

1.5-L51012G or 1.5-L51012B

1-1/2" 5FT. 10"-12" HELIX LEAD



PILE CAPACITY

Torque Rating	7,000 ft-lbs
k_t Factor	10 ft ⁻¹

Geotechnical Capacity

Compression	35 kips (allowable), 70 kips (ultimate)
Tension	30 kips (allowable), 60 kips (ultimate)

PRODUCT SPECIFICATIONS

Shaft Properties

Nominal Shaft Size	1.5"
Shaft Min. Yield Strength	95 ksi

Helix Properties

Standard Plate Thickness	0.375"
Available Plate Thicknesses	0.5" 0.625" 0.75"
Plate Min. Yield Strength	50 ksi
Standard Helix Pitch	3"
Available Helix Pitch	6"
Cutting Profile Options	Standard V-Cut Seashell Cut

Connection Details

Coupling	Forged Single Bolt
Hardware	3/4"Ø Grade 5 Min.

Coating Options

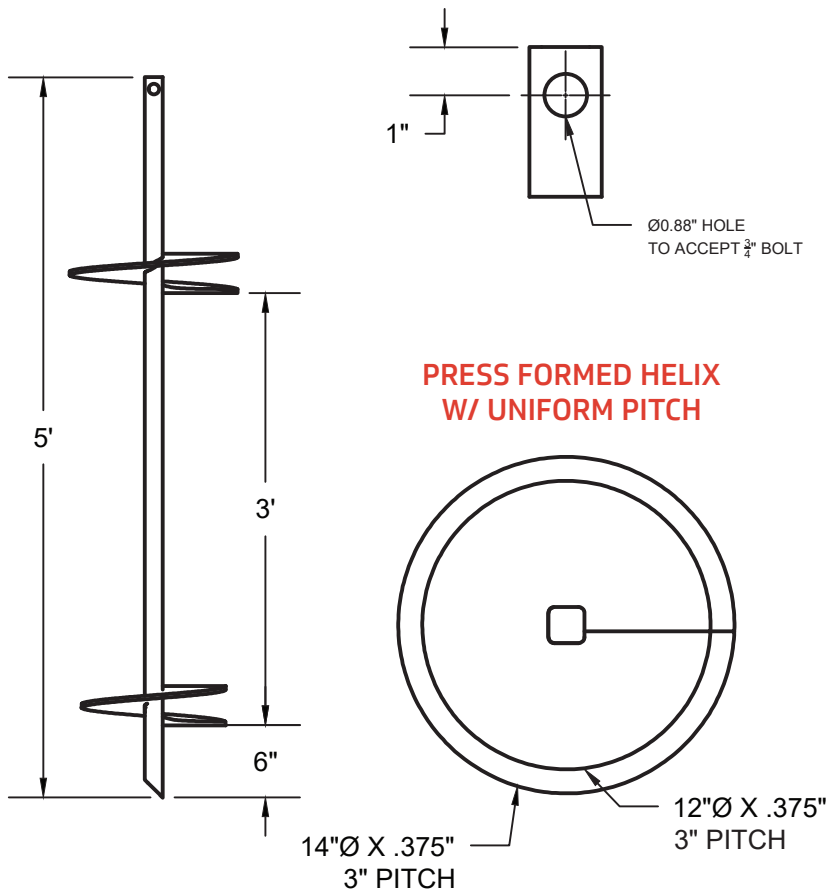
Bare Steel
Hot-Dipped Galvanized per ASTM A123/153.

*Based on 50 years per AC308

DOUBLE HELIX LEADS

1-1/2" 5FT. 12-14" HELIX LEAD

1.5-L51214G or 1.5-L51214B



PRODUCT SPECIFICATIONS

Shaft Properties

Nominal Shaft Size	1.5"
Shaft Min. Yield Strength	95 ksi

Helix Properties

Standard Plate Thickness	0.375"
Available Plate Thicknesses	0.5" 0.625" 0.75"
Plate Min. Yield Strength	50 ksi
Standard Helix Pitch	3"
Available Helix Pitch	6"
Cutting Profile Options	Standard V-Cut Seashell Cut

Connection Details

Coupling	Forged Single Bolt
Hardware	3/4"Ø Grade 5 Min.

Coating Options

Bare Steel
Hot-Dipped Galvanized per ASTM A123/153.

*Based on 50 years per AC358

PILE CAPACITY

Torque Rating	7,000 ft-lbs
k_t Factor	10 ft ⁻¹

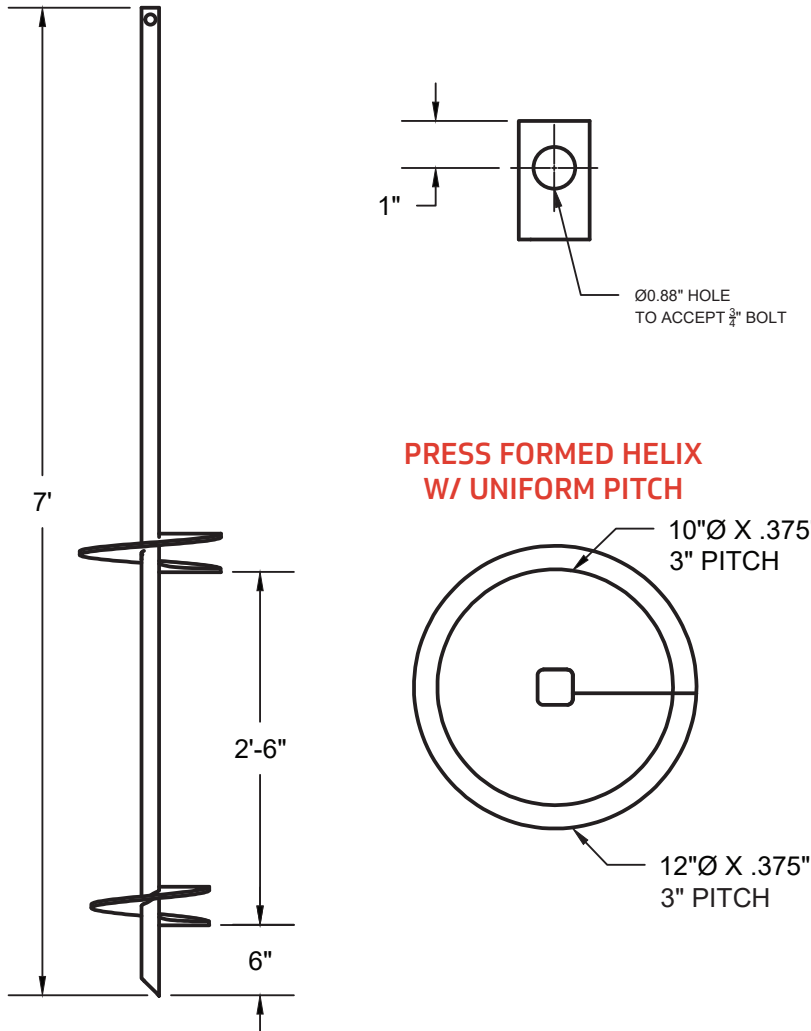
Geotechnical Capacity

Compression	35 kips (allowable), 70 kips (ultimate)
Tension	30 kips (allowable), 60 kips (ultimate)

DOUBLE HELIX LEADS

1.5-L71012G or 1.5-L71012B

1-1/2" 7FT. 10"-12" HELIX LEAD



PRODUCT SPECIFICATIONS

Shaft Properties

Nominal Shaft Size	1.5"
Shaft Min. Yield Strength	95 ksi

Helix Properties

Standard Plate Thickness	0.375"
Available Plate Thicknesses	0.5" 0.625" 0.75"
Plate Min. Yield Strength	50 ksi
Standard Helix Pitch	3"
Available Helix Pitch	6"
Cutting Profile Options	Standard V-Cut Seashell Cut

Connection Details

Coupling	Forged Single Bolt
Hardware	3/4"Ø Grade 5 Min.

Coating Options

Bare Steel
Hot-Dipped Galvanized per ASTM A123/153.

*Based on 50 years per AC308

PILE CAPACITY

Torque Rating	7,000 ft-lbs
k_t Factor	10 ft ⁻¹

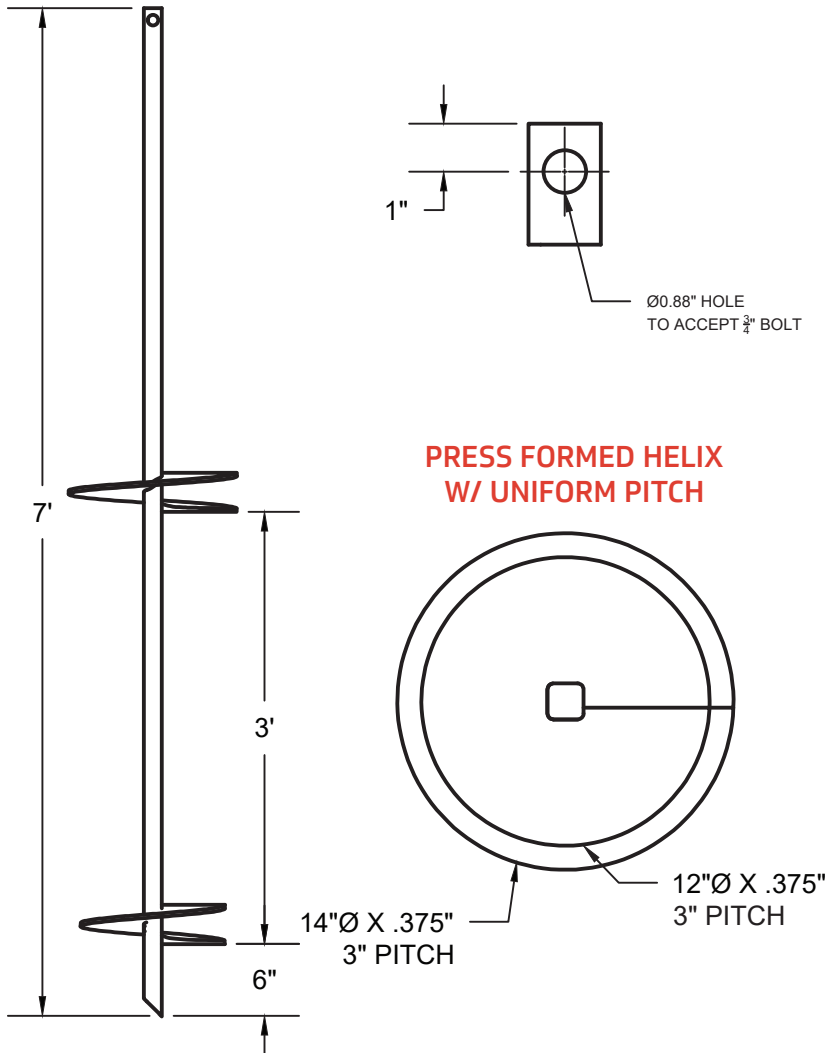
Geotechnical Capacity

Compression	35 kips (allowable), 70 kips (ultimate)
Tension	30 kips (allowable), 60 kips (ultimate)

DOUBLE HELIX LEADS

1-1/2" 7FT. 12-14" HELIX LEAD

1.5-L71214G or 1.5-L71214B



**PRESS FORMED HELIX
W/ UNIFORM PITCH**

PILE CAPACITY

Torque Rating	7,000 ft-lbs
k_t Factor	10 ft ⁻¹

Geotechnical Capacity

Compression	35 kips (allowable), 70 kips (ultimate)
Tension	30 kips (allowable), 60 kips (ultimate)

PRODUCT SPECIFICATIONS

Shaft Properties

Nominal Shaft Size	1.5"
Shaft Min. Yield Strength	95 ksi

Helix Properties

Standard Plate Thickness	0.375"
Available Plate Thicknesses	0.5" 0.625" 0.75"
Plate Min. Yield Strength	50 ksi
Standard Helix Pitch	3"
Available Helix Pitch	6"
Cutting Profile Options	Standard V-Cut Seashell Cut

Connection Details

Coupling	Forged Single Bolt
Hardware	3/4"Ø Grade 5 Min.

Coating Options

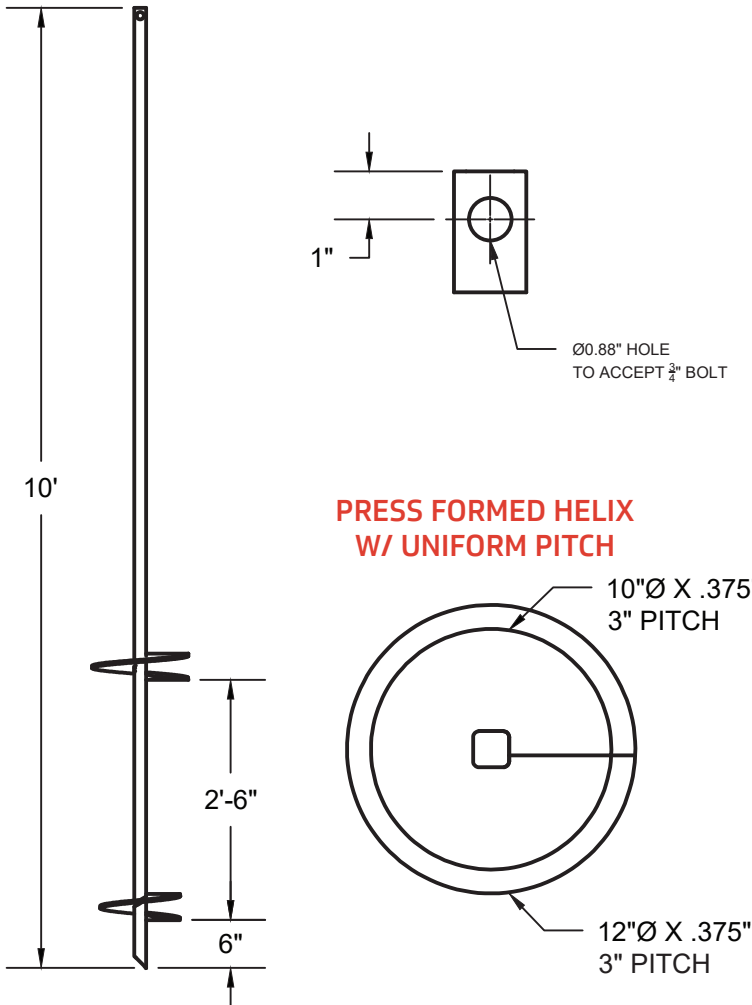
Bare Steel
Hot-Dipped Galvanized per ASTM A123/153.

**Based on 50 years per AC358*

DOUBLE HELIX LEADS

1.5-L101012G or 1.5-L101012B

1-1/2" 10FT. 10"-12" HELIX LEAD



PILE CAPACITY

Torque Rating	7,000 ft-lbs
k_t Factor	10 ft ⁻¹

Geotechnical Capacity

Compression	35 kips (allowable), 70 kips (ultimate)
Tension	30 kips (allowable), 60 kips (ultimate)

PRODUCT SPECIFICATIONS

Shaft Properties

Nominal Shaft Size	1.5"
Shaft Min. Yield Strength	95 ksi

Helix Properties

Standard Plate Thickness	0.375"
Available Plate Thicknesses	0.5" 0.625" 0.75"
Plate Min. Yield Strength	50 ksi
Standard Helix Pitch	3"
Available Helix Pitch	6"
Cutting Profile Options	Standard V-Cut Seashell Cut

Connection Details

Coupling	Forged Single Bolt
Hardware	3/4"Ø Grade 5 Min.

Coating Options

Bare Steel
Hot-Dipped Galvanized per ASTM A123/153.

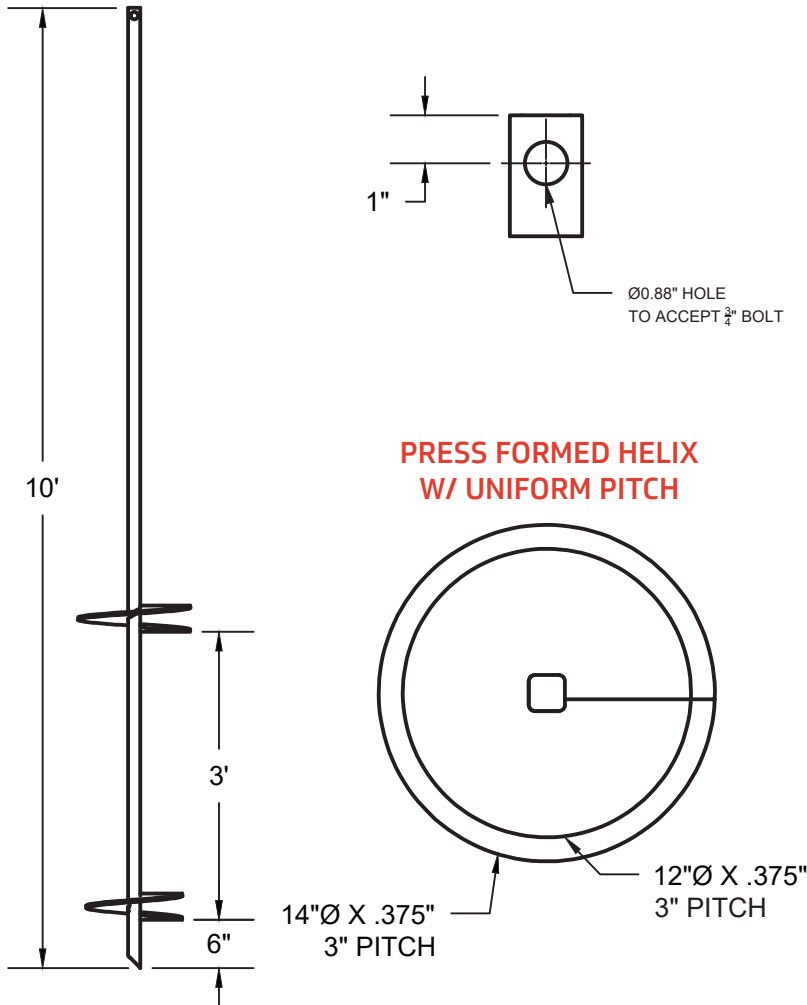
*Based on 50 years per AC358

*Based on 50 years per AC358

DOUBLE HELIX LEADS

1-1/2" 10FT. 12-14" HELIX LEAD

1.5-L101214G or 1.5-L101214B



PILE CAPACITY

Torque Rating	7,000 ft-lbs
k_t Factor	10 ft ⁻¹

Geotechnical Capacity

Compression	35 kips (allowable), 70 kips (ultimate)
Tension	30 kips (allowable), 60 kips (ultimate)

PRODUCT SPECIFICATIONS

Shaft Properties

Nominal Shaft Size	1.5"
Shaft Min. Yield Strength	95 ksi

Helix Properties

Standard Plate Thickness	0.375"
Available Plate Thicknesses	0.5" 0.625" 0.75"
Plate Min. Yield Strength	50 ksi
Standard Helix Pitch	3"
Available Helix Pitch	6"
Cutting Profile Options	Standard V-Cut Seashell Cut

Connection Details

Coupling	Forged Single Bolt
Hardware	3/4"Ø Grade 5 Min.

Coating Options

Bare Steel

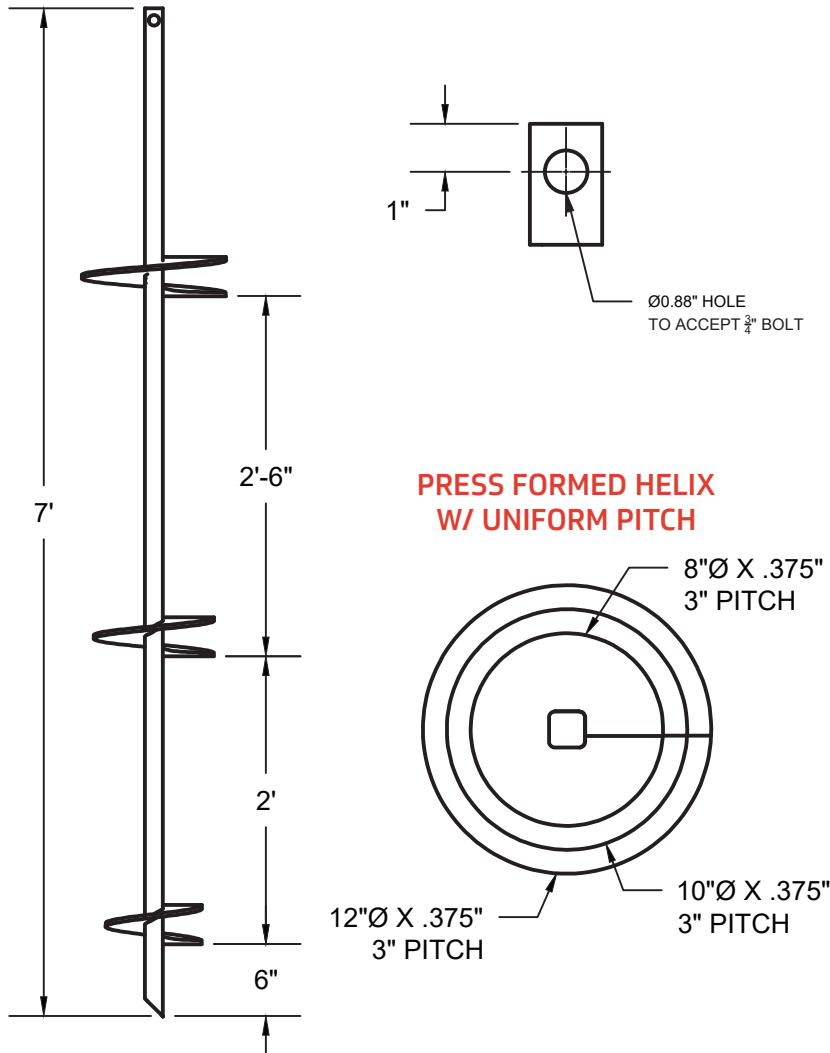
Hot-Dipped Galvanized per ASTM A123/153.

**Based on 50 years per AC358*

TRIPLE HELIX LEADS

1.5-L781012G or 1.5-L781012B

1-1/2" 7FT. 8"-10"-12" HELIX LEAD



PRODUCT SPECIFICATIONS

Shaft Properties

Nominal Shaft Size	1.5"
Shaft Min. Yield Strength	95 ksi

Helix Properties

Standard Plate Thickness	0.375"
Available Plate Thicknesses	0.5" 0.625" 0.75"
Plate Min. Yield Strength	50 ksi
Standard Helix Pitch	3"
Available Helix Pitch	6"
Cutting Profile Options	Standard V-Cut Seashell Cut

Connection Details

Coupling	Forged Single Bolt
Hardware	3/4"Ø Grade 5 Min.

Coating Options

Bare Steel

Hot-Dipped Galvanized per ASTM A123/153.

**Based on 50 years per AC358*

PILE CAPACITY

Torque Rating	7,000 ft-lbs
k_t Factor	10 ft ⁻¹

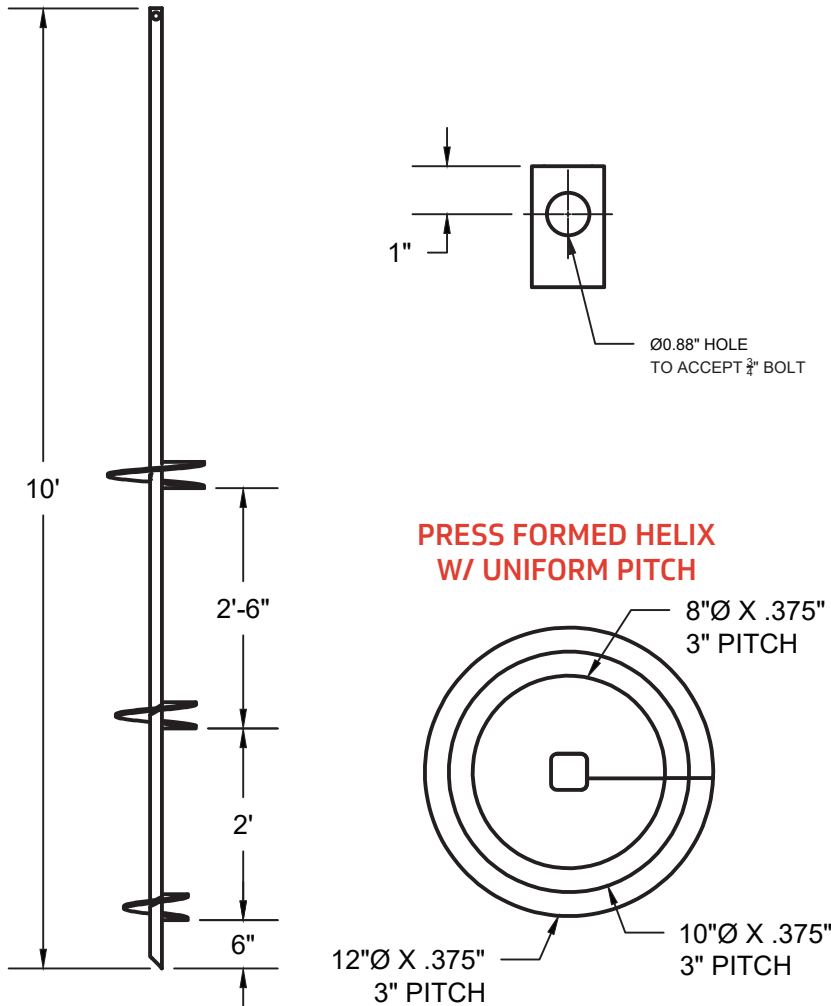
Geotechnical Capacity

Compression	35 kips (allowable), 70 kips (ultimate)
Tension	30 kips (allowable), 60 kips (ultimate)

TRIPLE HELIX LEADS

1-1/2" 10FT. 8-10"-12" HELIX LEAD

1.5F-L1081012G or 1.5F-L1081012B



PRODUCT SPECIFICATIONS

Shaft Properties

Nominal Shaft Size	1.5"
Shaft Min. Yield Strength	95 ksi

Helix Properties

Standard Plate Thickness	0.375"
Available Plate Thicknesses	0.5" 0.625" 0.75"
Plate Min. Yield Strength	50 ksi
Standard Helix Pitch	3"
Available Helix Pitch	6"
Cutting Profile Options	Standard V-Cut Seashell Cut

Connection Details

Coupling	Forged Single Bolt
Hardware	3/4"Ø Grade 5 Min.

Coating Options

Bare Steel
Hot-Dipped Galvanized per ASTM A123/153.

*Based on 50 years per AC308

PILE CAPACITY

Torque Rating	7,000 ft-lbs
k _t Factor	10 ft ⁻¹

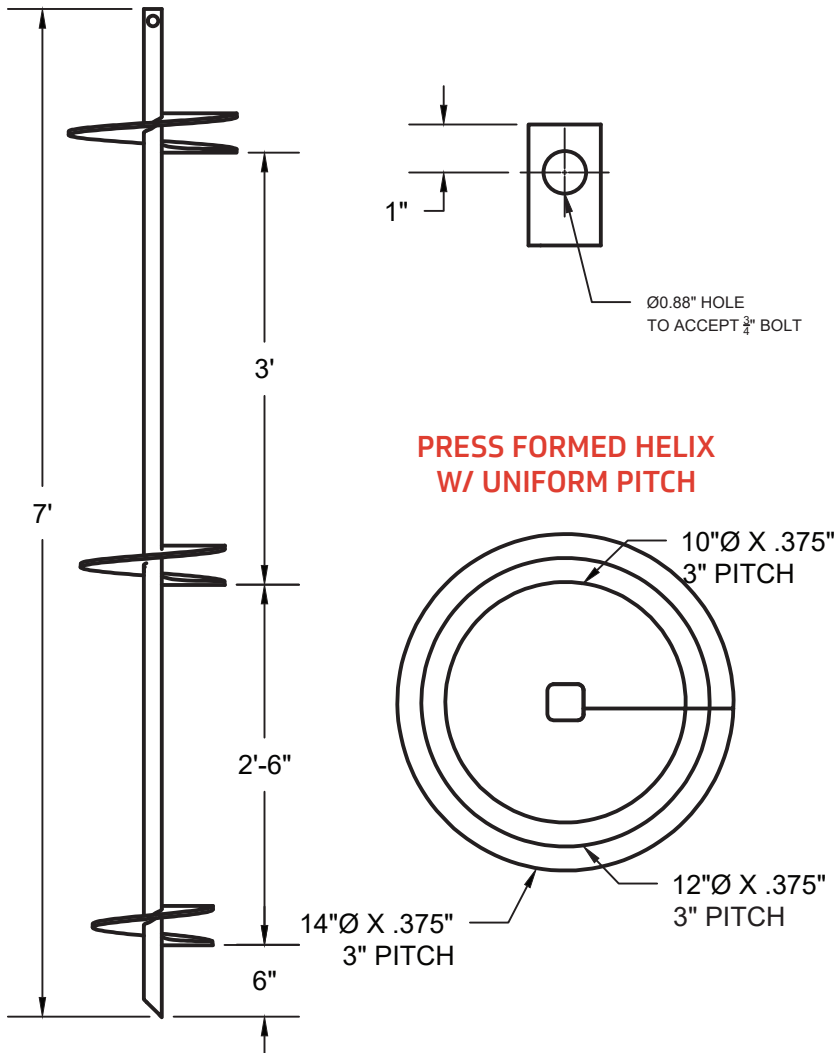
Geotechnical Capacity

Compression	35 kips (allowable), 70 kips (ultimate)
Tension	30 kips (allowable), 60 kips (ultimate)

TRIPLE HELIX LEADS

1.5-L7101214G or 1.5-L7101214B

1-1/2" 7FT. 10"-12"-14" HELIX LEAD



PRODUCT SPECIFICATIONS

Shaft Properties

Nominal Shaft Size	1.5"
Shaft Min. Yield Strength	95 ksi

Helix Properties

Standard Plate Thickness	0.375"
Available Plate Thicknesses	0.5" 0.625" 0.75"
Plate Min. Yield Strength	50 ksi
Standard Helix Pitch	3"
Available Helix Pitch	6"
Cutting Profile Options	Standard V-Cut Seashell Cut

Connection Details

Coupling	Forged Single Bolt
Hardware	3/4"Ø Grade 5 Min.

Coating Options

Bare Steel
Hot-Dipped Galvanized per ASTM A123/153.

*Based on 50 years per AC358

PILE CAPACITY

Torque Rating	7,000 ft-lbs
k_t Factor	10 ft ⁻¹

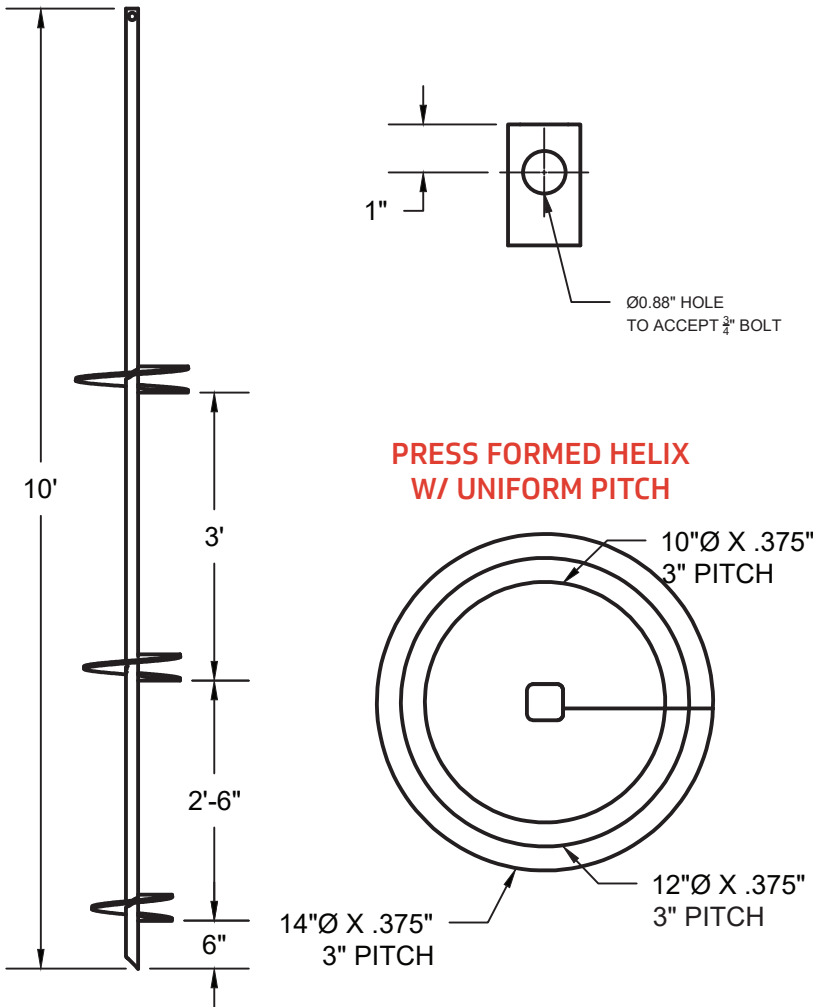
Geotechnical Capacity

Compression	35 kips (allowable), 70 kips (ultimate)
Tension	30 kips (allowable), 60 kips (ultimate)

TRIPLE HELIX LEADS

1-1/2" 10FT. 10"-12"-14" HELIX LEAD

1.5-L10101214G or 1.5-L10101214B



PILE CAPACITY

Torque Rating	7,000 ft-lbs
k_t Factor	10 ft ⁻¹

Geotechnical Capacity

Compression	35 kips (allowable), 70 kips (ultimate)
Tension	30 kips (allowable), 60 kips (ultimate)

PRODUCT SPECIFICATIONS

Shaft Properties

Nominal Shaft Size	1.5"
Shaft Min. Yield Strength	95 ksi

Helix Properties

Standard Plate Thickness	0.375"
Available Plate Thicknesses	0.5" 0.625" 0.75"
Plate Min. Yield Strength	50 ksi
Standard Helix Pitch	3"
Available Helix Pitch	6"
Cutting Profile Options	Standard V-Cut Seashell Cut

Connection Details

Coupling	Forged Single Bolt
Hardware	3/4"Ø Grade 5 Min.

Coating Options

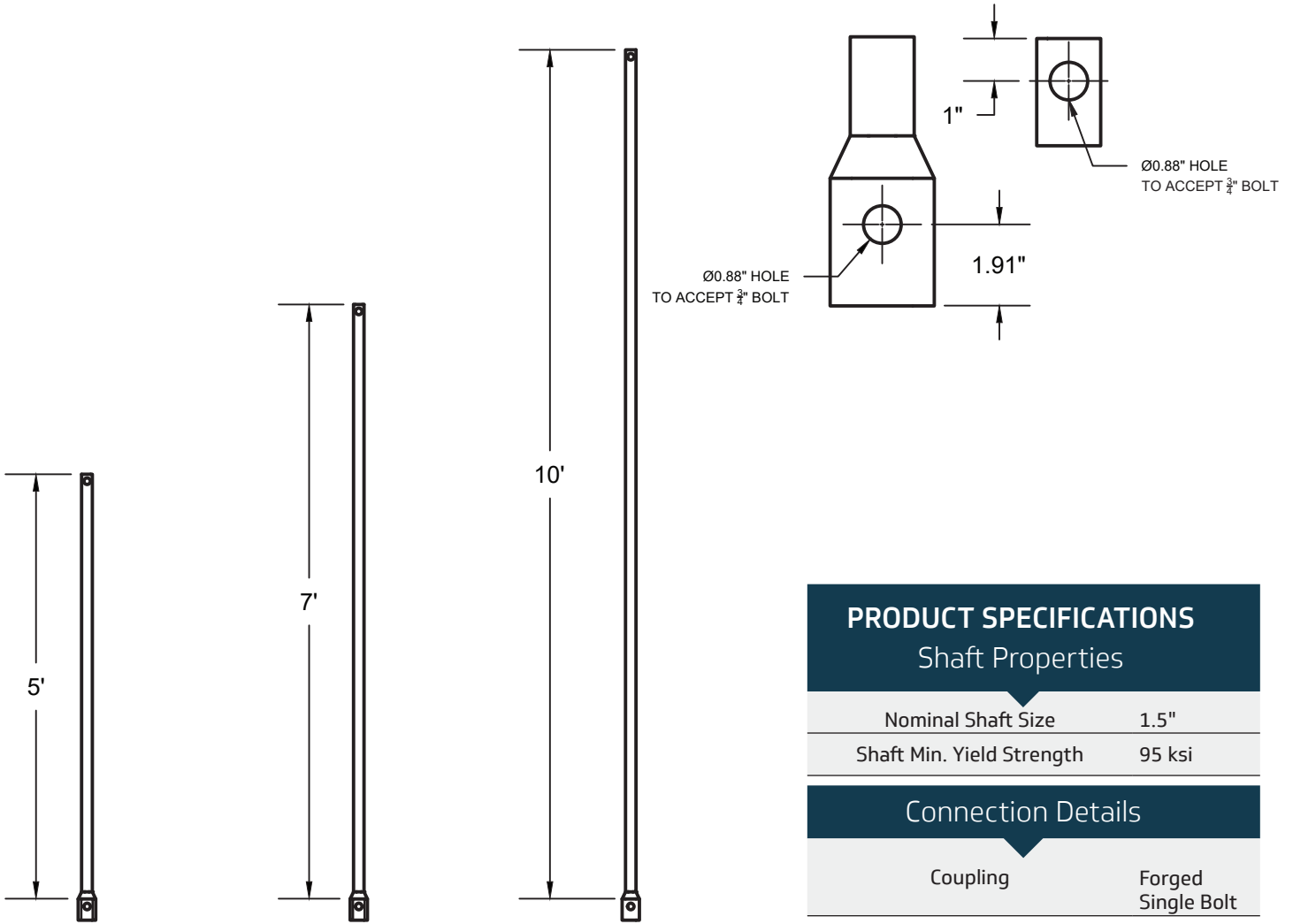
Bare Steel
Hot-Dipped Galvanized per ASTM A123/153.

*Based on 50 years per AC358

SQUARE SHAFT EXTENSIONS

1.5F-E5G or 1.5F-E5B,
1.5F-E7G or 1.5F-E7B,
1.5F-E10G or 1.5F-E10B

1-1/2" 5FT, 7FT, 10FT, EXTENSION



PRODUCT SPECIFICATIONS

Shaft Properties

Nominal Shaft Size	1.5"
Shaft Min. Yield Strength	95 ksi

Connection Details

Coupling	Forged Single Bolt
Hardware	3/4"Ø Grade 5 Min.

Coating Options

Bare Steel
Hot-Dipped Galvanized per ASTM A123/153.

*Based on 50 years per AC358

PILE CAPACITY

Torque Rating	7,000 ft-lbs
k_t Factor	10 ft ⁻¹

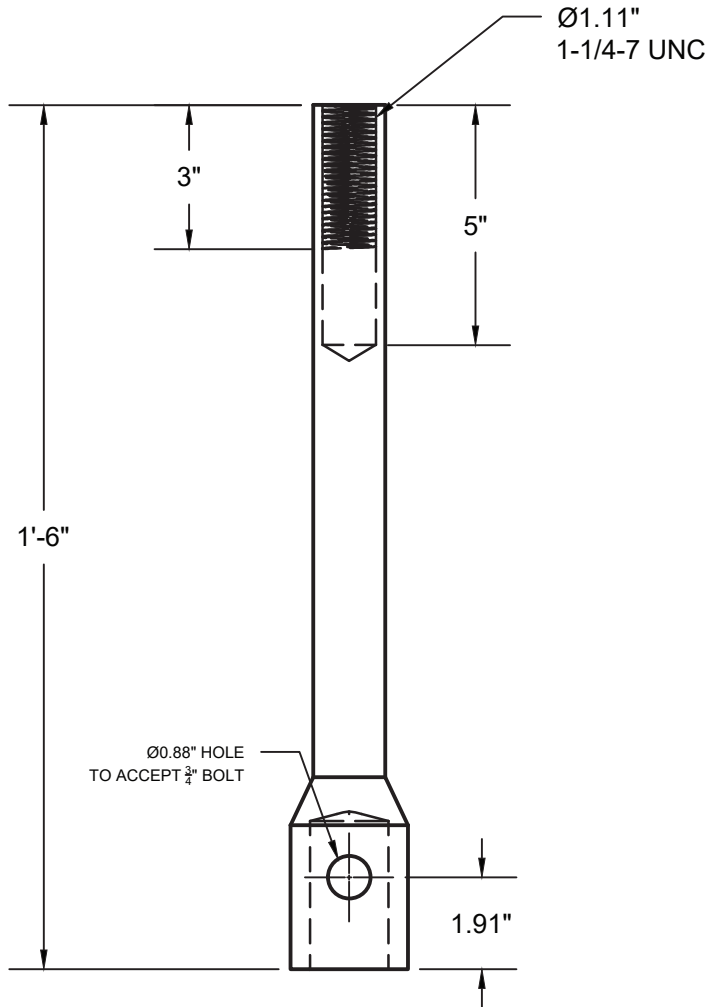
Geotechnical Capacity

Compression	35 kips (allowable), 70 kips (ultimate)
Tension	30 kips (allowable), 60 kips (ultimate)

THREADED ADAPTER

1-1/2" 7FT. 1.25" THREADED ADAPTER

1.5F-BTA1.25INTG or 1.5F-BTA1.25INTB



Other thread and rod dimensions available upon request

PILE CAPACITY

Torque Rating	7,000 ft-lbs
k_t Factor	10 ft ⁻¹

Geotechnical Capacity

Compression	35 kips (allowable), 70 kips (ultimate)
Tension	30 kips (allowable), 60 kips (ultimate)

PRODUCT SPECIFICATIONS

Shaft Properties

Nominal Shaft Size	1.5"
Shaft Min. Yield Strength	95 ksi

Connection Details

Coupling	Forged Single Bolt
Hardware	3/4"Ø Grade 5 Min.

Coating Options

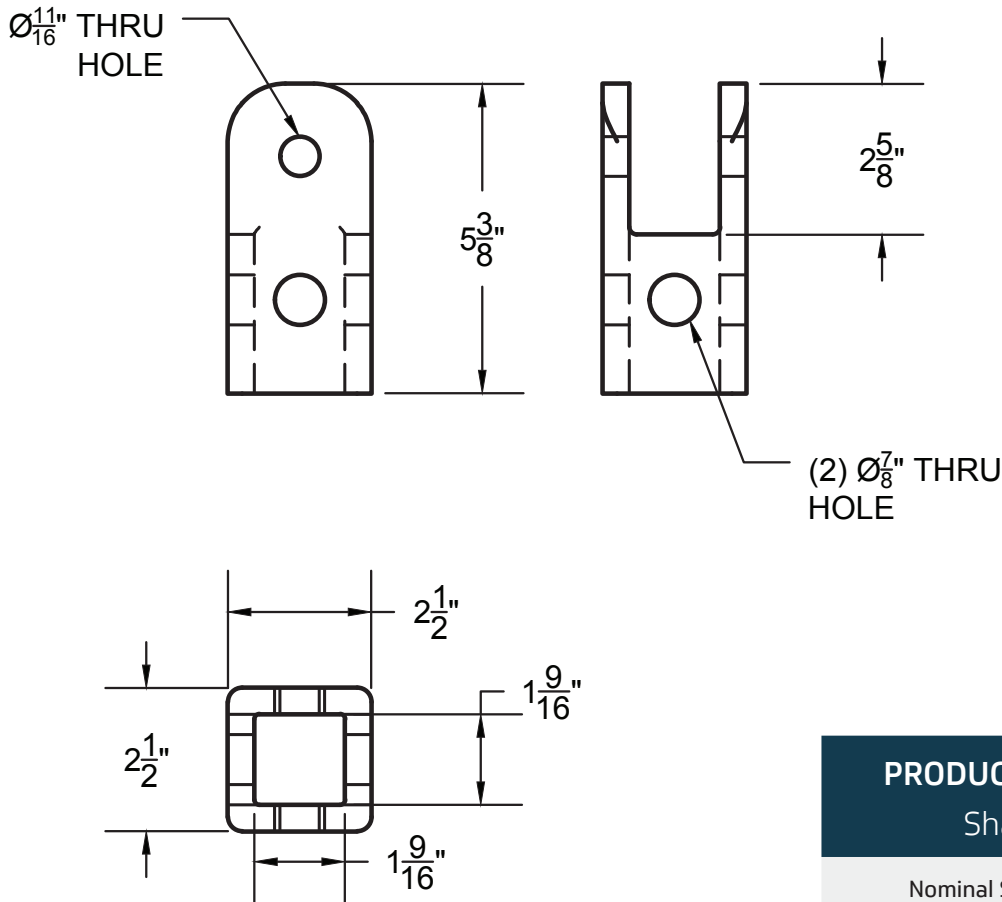
Bare Steel
Hot-Dipped Galvanized per ASTM A123/153.

*Based on 50 years per AC308

TILT-UP BRACKET

1-1/2" TILT-UP BRACKET

1.5F-BTUPG or 1.5F-BTUPB



Other thread and rod dimensions available upon request

PILE CAPACITY

Torque Rating	7,000 ft-lbs
k_t Factor	10 ft ⁻¹

Geotechnical Capacity

Compression	35 kips (allowable), 70 kips (ultimate)
Tension	30 kips (allowable), 60 kips (ultimate)

PRODUCT SPECIFICATIONS

Shaft Properties

Nominal Shaft Size	1.5"
Shaft Min. Yield Strength	95 ksi

Connection Details

Coupling	Forged Single Bolt
Hardware	3/4"Ø Grade 5 Min.

Coating Options

Bare Steel
Hot-Dipped Galvanized per ASTM A123/153.

*Based on 50 years per AC308

600 Trade Center Blvd.
Chesterfield, MO 63005
(866) 536-5007



WWW.PIERTECH.COM